

BEZZERA

Dal 1901

BZ13

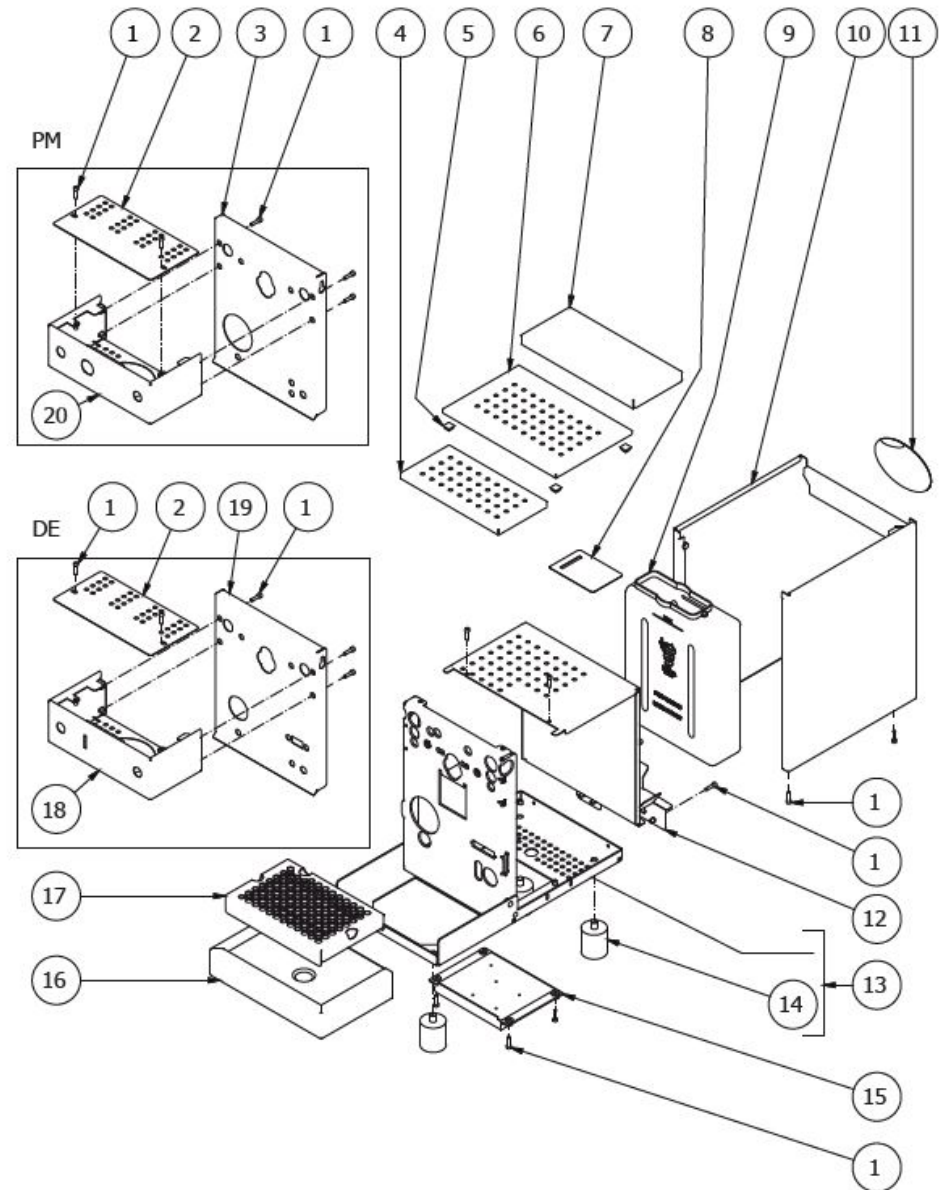
COD. 9942056.02

REV. 00 ed.08/21



TABLE 1 - (up to 30/11/2020)
BZ13

POS	CODE	DESCRIPTION
1	7816004	SCREW TCEI M4 X 16
2	5053027	COVER
3	5074478SG1	GROUP FRONTAL PM
4	5074635LW	GRID
5	7474217	ADHESIVE FEET 12,7 H5,8
6	5074621LW	CUPS-HEATER GRID BZ07 BA
7	5073020LW	TRAY COVER STAINLESS
8	5125705	SUPPORT
9	7373009	TANK 3 LT. CAPACITY
10	5071733LL	BODY STAINLESS STEEL POLISHED
11	5521512	LABLE
12	5963068.03LL	TANK SUPPORT PM
12	5963086.03	TANK SUPPORT DE
13	5964633.01	ASSEMBLY CHASSIS DE
13	5964634.01	ASSEMBLY CHASSIS PM
14	7474218	FEET M10 D40X46
15	5373102.01	HEATING ELEMENT PROTECTION
16	5340510	DRIP TRAY
17	5074622LW	DRAIN GRID
18	5094846SG	WORKING FRONTAL PANEL DE
19	5074477SG1	GROUP FRONTAL DE
20	5094847SG	WORKING FRONTAL PANEL PM

TABLE 1 - (up to 30/11/2020)
BZ13

BEZZERA

BZ13

TABLE 1 - (from 01/12/2020)
BZ13

POS	CODE	DESCRIPTION
1	7816002	SCREW TCEI M4X12 UNI 5931 A2
2	5053027	COVER
2	5053045LW	FRONTAL WORK COVER BZ13/LIVIA (NSF)
3	5074478.01SG1	FRONTAL GROUP BZ13S PM
4	5074635LW	GRID
5	7474217	ADHESIVE FEET 12,7 H5,8
6	5074621LW	CUPS-HEATER GRID BZ07 BA
6	5074682LW	CUPS HEATER GRID BZ13 BA UL
7	5073020.01LW	TANK COVER BZ07 REDUCED
8	5125705	CONTACT MICRO PLATE TANK SUPPORT
9	7373009.01	TANK 3 LITERS
10	5071733LL	BODY STAINLESS STEEL POLISHED
10	5054202LL1	GLOSS WHITE BODY WITH COMPASSES
11	5521512	BEZZERA LABEL
12	5963068.03LL	TANK SUPPORT T.PID
12	5963086.03	COMPLETE TANK SUPPORT BZ07 T.PID
12	5963179	COMPLETE TANK SUPPORT BZ13/LIVIA
12	5963180	COMPLETE TANK SUPPORT BZ13/LIVIA WITH PID
13	5964633.01	ASSY FRAME BZ13 DE/PM PID
13	5964634.01	BZ13 DE/PM CHASSIS COMPLETE WITHOUT PID
14	7474218	FEET M10 D40X46
15	5373102.01	HEATING ELEMENT PROTECTION
16	5340510	DRIP TRAY
17	5074622.01LW	DISCHARGE GRID SMALL SERIES BZ
18	5094846SG	WORKING FRONTAL PANEL DE
19	5074477.01SG1	FRONTAL GROUP BZ13S DE/PM T.PID
20	5094847SG	WORKING FRONTAL PANEL PM
21	5071733LLR	MIRROR BODYWORK W/LOGO + COMPASSES
21	5054202LL1R	WHITE BODYWORK W/LOGO + COMPASSES
22	7817801	SCREW TPS M4X16 DIN 7688 A2 (NSF)

BEZZERA

BZ13

TABLE 1 - (from 01/12/2020)
BZ13

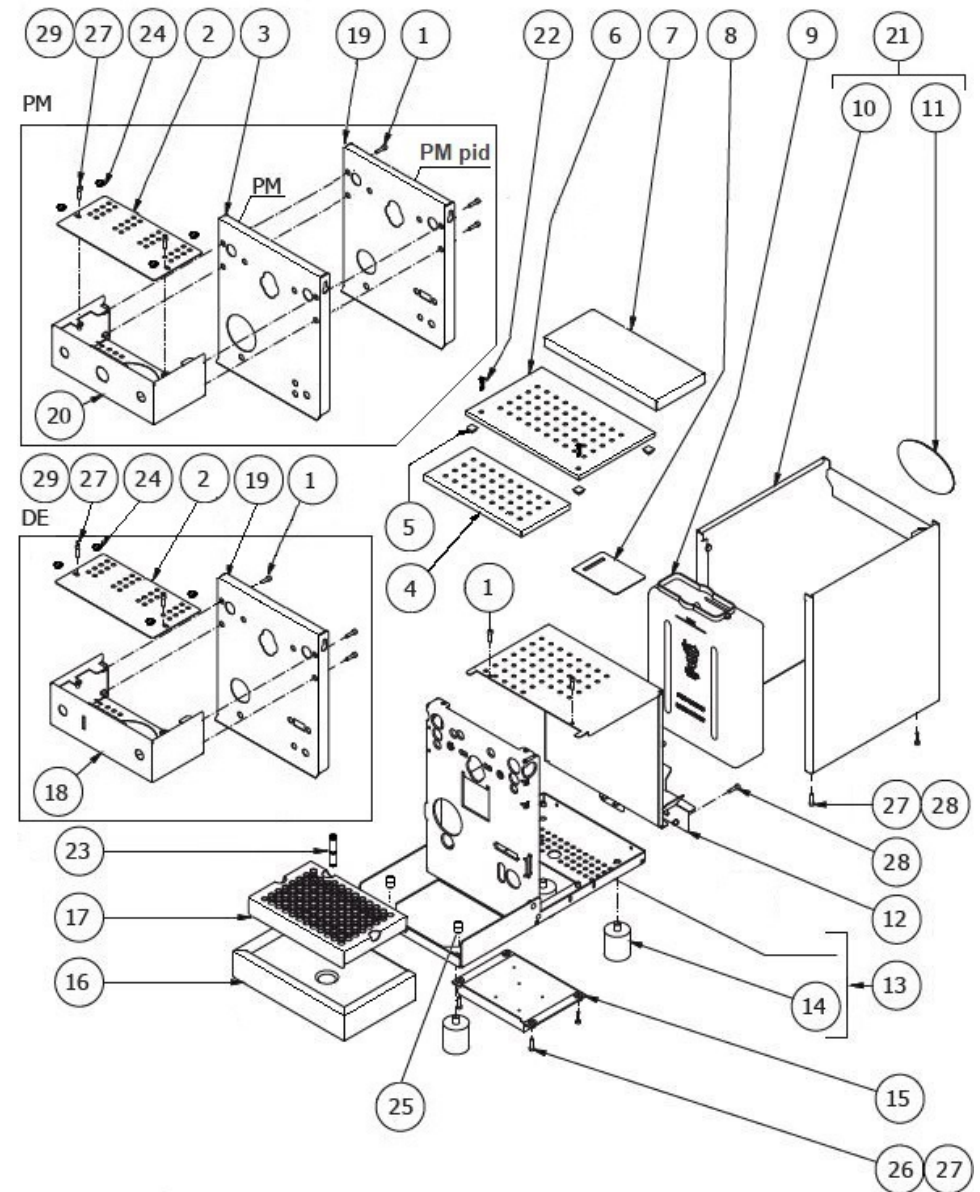


TABLE 1 - (from 01/12/2020)
BZ13

POS	CODE	DESCRIPTION
23	5262001	GRILL EXHAUST EXTENSION
24	7999904	ADHESIVE RUBBER TOP
25	7372511	CAP D9.5X13 BLACK PLASTIC
26	7816004	SCREW TCEI M4X16 A2
27	7816211	SCREW TC M4X12 UNI7687 A2 (NSF)
28	7816009	SCREW TCEI M4X10 UNI 5931A2
29	7819908	SCREW TTEI M4X8

TABLE 1 - (from 01/12/2020)
BZ13

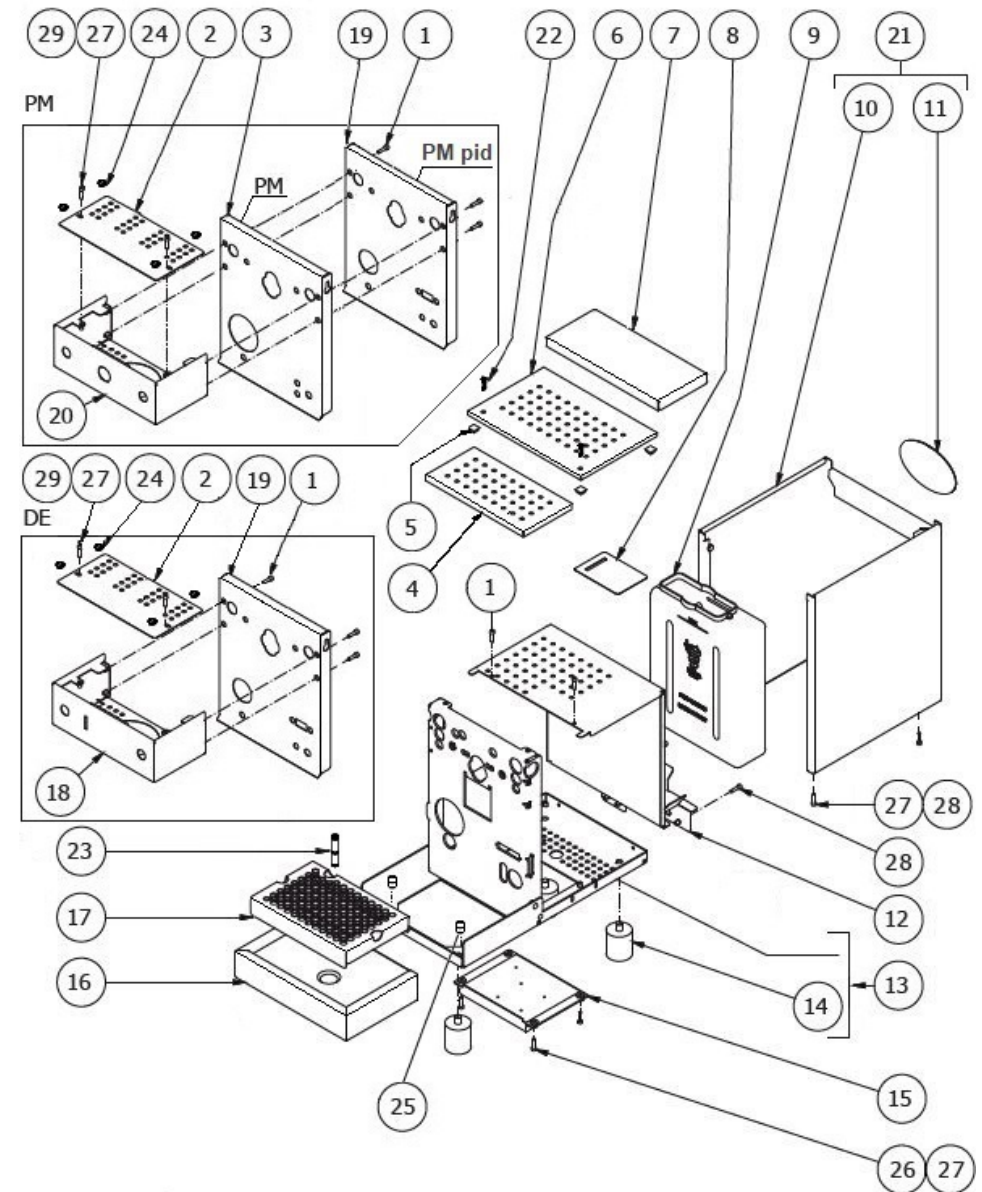


TABLE 2 - (from 21/06/2019)
BZ13

POS	CODE	DESCRIPTION
1	5162304LL	EXCHANGER CHARGE PIPE OF BZ07
2	5162303.01LL	BOILER LOAD HOSE BZ07
3	7303033	FITTING
4	5194610	HOSE 6X4 L=250 SILICONE
5	5194571	HOSE D6X4 L=200 SILICONE (R)
6	5301504AL	ELBOW FITTING M12X1/8
7	5194635	PUMP-SOLENOID VALVE HOSE(FROM 14.12.15)
8	7701123.01	EV.2 WAY 110V 25BAR SMALL COIL
8	7702415.01	EV.2 WAY 240V 25BAR SMALL COIL
8	7702322.01	EV.2WAY OLAB 220/230V 25BAR SMALL COIL
10	7304543TR	FITTING TEE CONICAL 1/8
11	5225411AL	REDUCTION 1/8
12	7496085.01	GASKET OR D7.2X1.9 NBR 70SH
13	7303006	RUBBER-HOLDER FITTING
14	7452516	SELF-PRIMING VALVE
15	7496018	OR GASKET 105
16	7303034TR	UNION ELBOW 1/8
19	5965212.01AL	ASSY OPV ADJUST. 9/12 BAR
20	5302077AL	FITTING PORT.M14X1 OTXTUBO6X4 OT57USA
21	7496052	OR GASKET 114 VITON
22	5302017AL	FITTING M12 ES16 H26.5 OT57USA
23	5471539	CALIBRATED SPRING D.1,6
24	5471505	CALIBRATED SPRING D0.45 H22 AISI302
25	5224620AL	GASKET-HOLDER ES.12X6.8 OT57USA
26	5224615AL	GASKET-HOLDER SURP.VALVE OT57USA
27	5493042	GASKET D.11X3
28	7496018	OR GASKET 105
29	5283053TP	SURPRESSION VALVE BODY
30	5471019	FILTER D8,5X5 AISI304

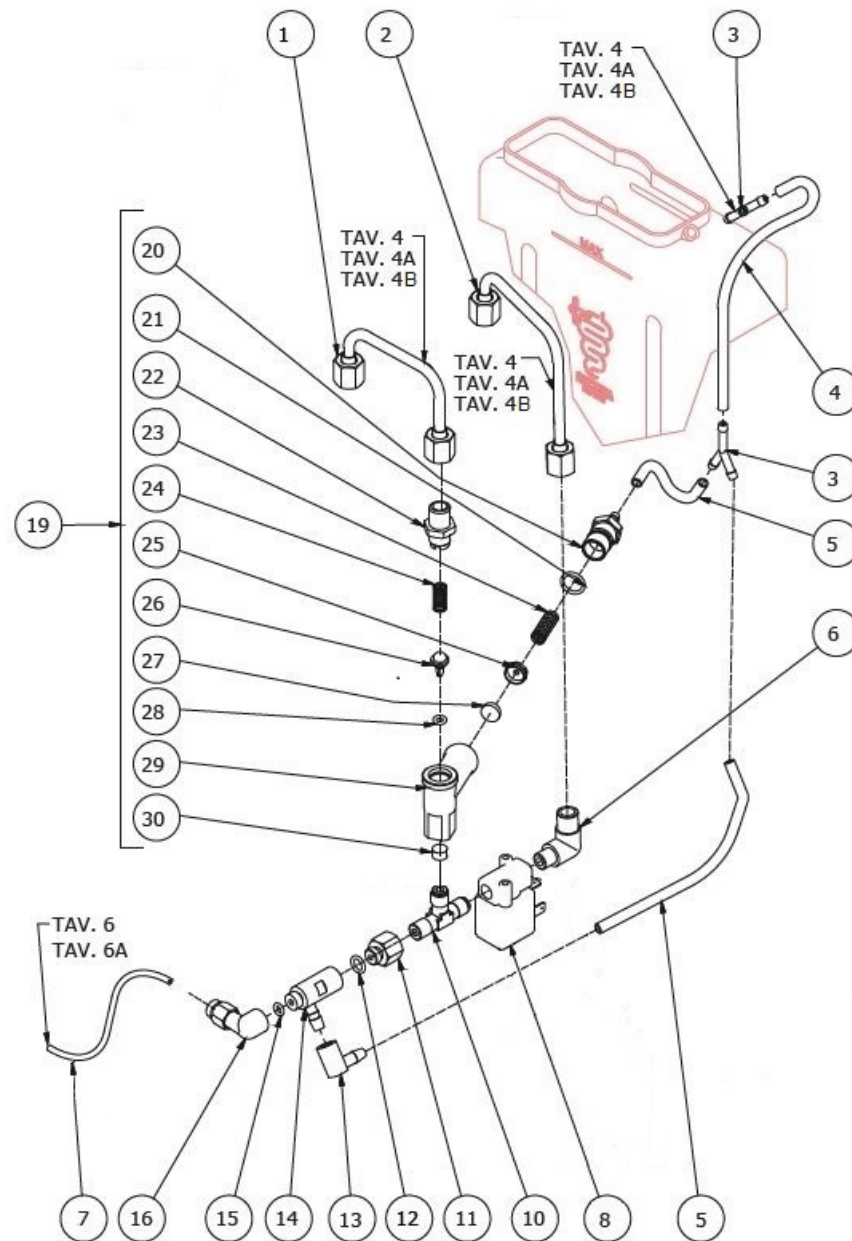
TABLE 2 - (from 21/06/2019)
BZ13

TABLE 2 - (up to 20/06/2019)
BZ13

POS	CODE	DESCRIPTION
1	5162304LL	EXCHANGER LOAD HOSE
2	5162303.01LL	BOILER LOAD HOSE
3	7303033	FITTING
4	5194610	HOSE 6X4 L=250 SILICONE
5	5194571	HOSE D6X4X1 L=200 SILICONE
6	5301504TR	UNION ELBOW 1/8
7	5194571	HOSE D6X4X1 L=200 SILICONE
8	7702310	SOLENOID VALVE 2 WAY 230V PARKER
8	7701111	SOLENOID VALVE 2 WAY 115V PARKER
8	7702409	SOLENOID VALVE 2 WAY 240V PARKER
9	7630328	SOLENOID VALVE COIL 220/230V PARKER
9	7630327	SOLENOID VALVE COIL 110V PARKER
9	7630329	SOLENOID VALVE COIL 240V PARKER
10	7304514TR	FITTING
11	5225411TP	FITTING 1/8"
12	7496085	OR GASKET D7.2X1.9 NBR 70SH
13	7303006	RUBBER-HOLDER FITTING
14	7452512	VALVE
15	7496018	OR GASKET 105 VITON
16	7304507TR	UNION ELBOW 1/8"
16	7303034TR	UNION ELBOW 1/8"
18	5221844	NUT 1/8"
19	5965212.01AL	ASSEMBLY SURPRESSION VALVE 12BAR
20	5302077TP	RUBBER-HOLDER FITTING
21	7496052	OR GASKET 114
22	5302017TP	STRAIGHT FITTING M12 H26.5 OT
23	5471539	CALIBRATED SPRING D.1.6
24	5471505	SPRING
25	5224620TP	GASKET-HOLDER
26	5224615TP	GASKET-HOLDER

TABLE 2 - (up to 20/06/2019)
BZ13

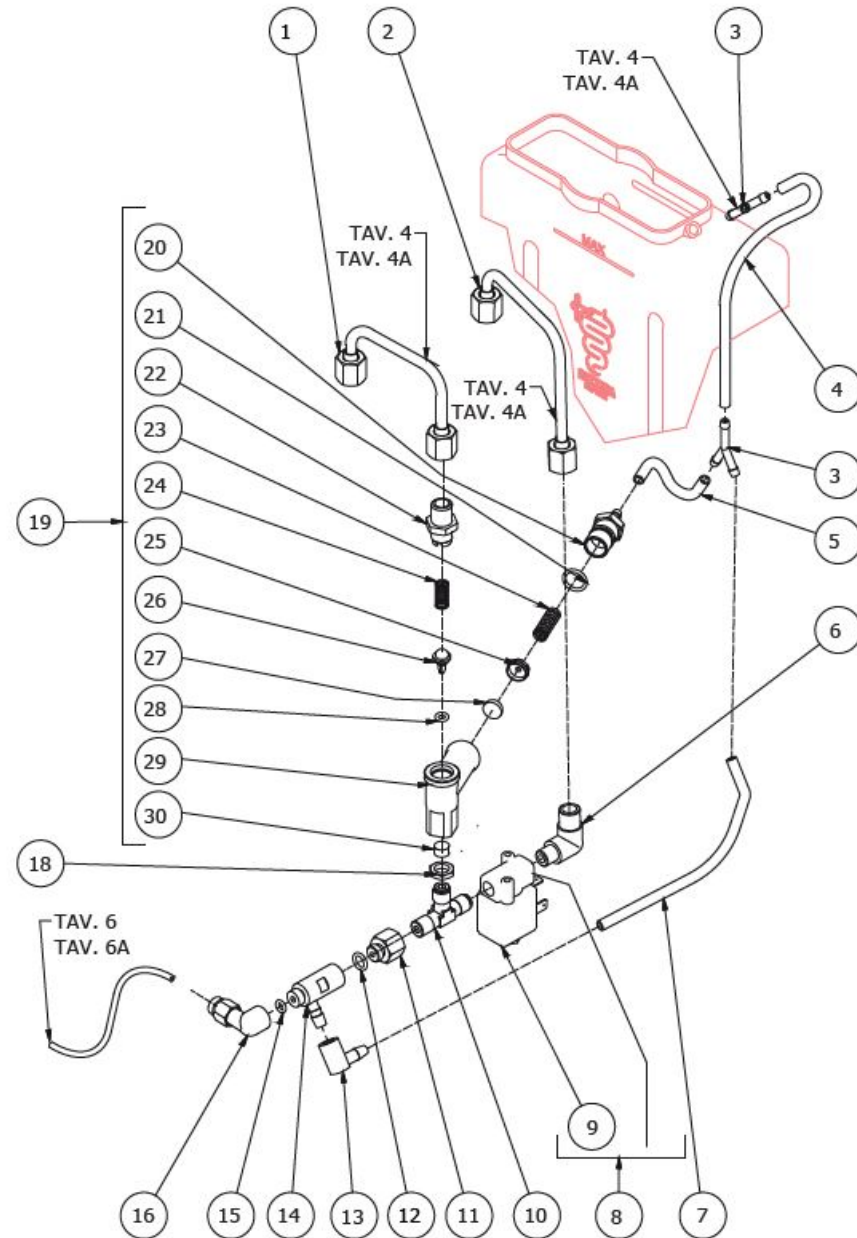


TABLE 2 - (up to 20/06/2019)
BZ13

POS	CODE	DESCRIPTION
27	5493042	GASKET D.11X3
28	7496018	OR GASKET 105 VITON
29	5283053TP	SURPRESSION VALVE BODY
30	5471019	INOX WIRE FILER D8,5X5 AISI304

TABLE 2 - (up to 20/06/2019)
BZ13

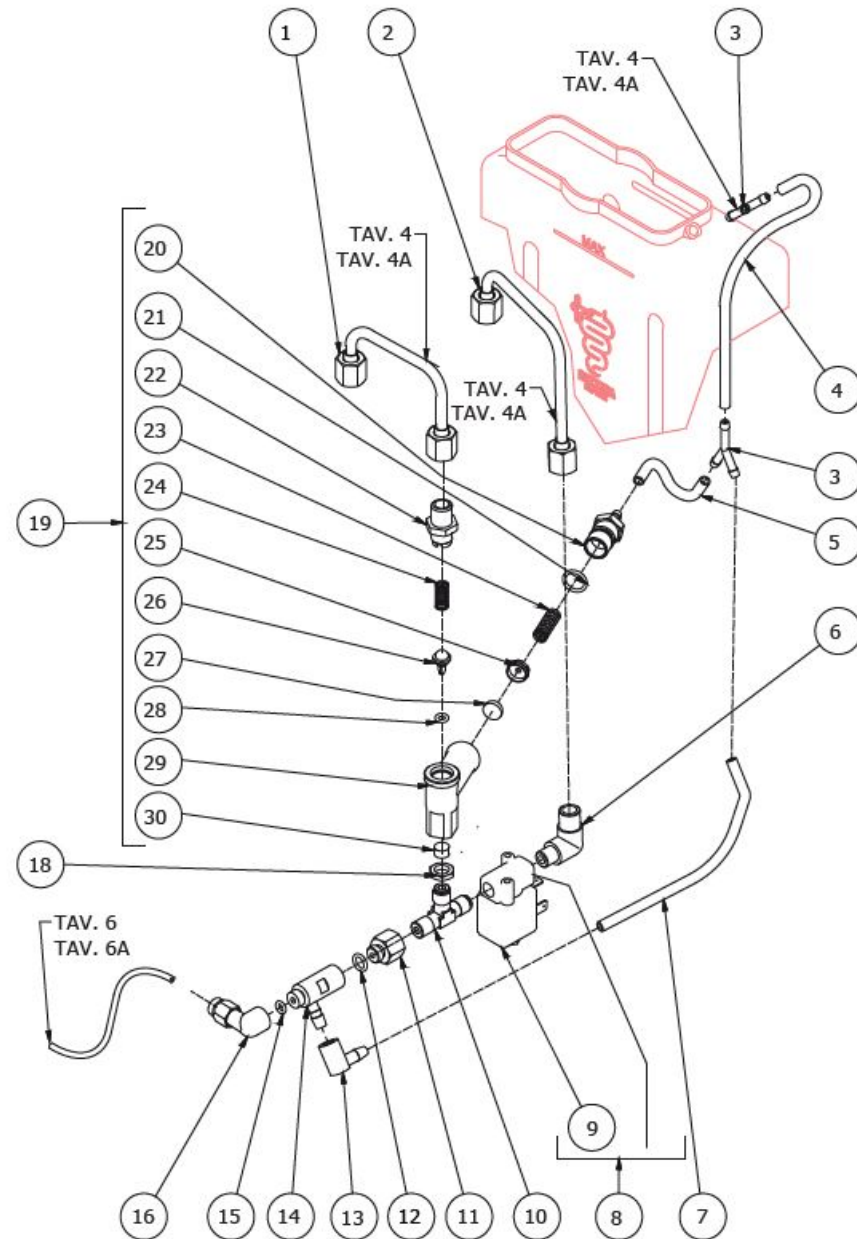


TABLE 3A - (from 03/10/2018)
BZ13

POS	CODE	DESCRIPTION
1	5162361LL	HOSE FOR SOLENOID VALVE OF GROUP
2	5301504AL	ELBOW FITTING M12X1/8
3	7634808	THERMAL SAFETY DEVICE 250V 95°C
4	7816021	SCREW TCEI M5X25 UNI 5931 A2
5	7814002	NOTCHED WASHER D4
6	7816014	SCREW M8X20 UNI5931 A2
7	5018462CT	SUPPORT COUPLING RING BZ13S
8	5963099.01	ASSY HEATING ELEMENT 110V
8	5963221.01	ASSY CARTRIDGE HEATING ELEMENT 220/240V 100W
8	5963223	ASSY HEATING ELEMENT CARTRIDGE 110V 100W
9	5283520.02AL	CARTRIDGE FLANGE D60X14,5 OT60LF
10	7496004.01	GASKET OR 139 VITON FDA
11	5280502TW-AL	COUPLING RING DENICROMAL
12	7496097	GASKET OR 55X8.1 NBR90SH PEROX ALI.
13	5285501AL	SHOWER-HOLDER D57 H7.5 OT60LF
14	5470501	SHOWER D57 AISI 304
15	7809903	SCREWS POLIERS M5X16 A4 AISI316

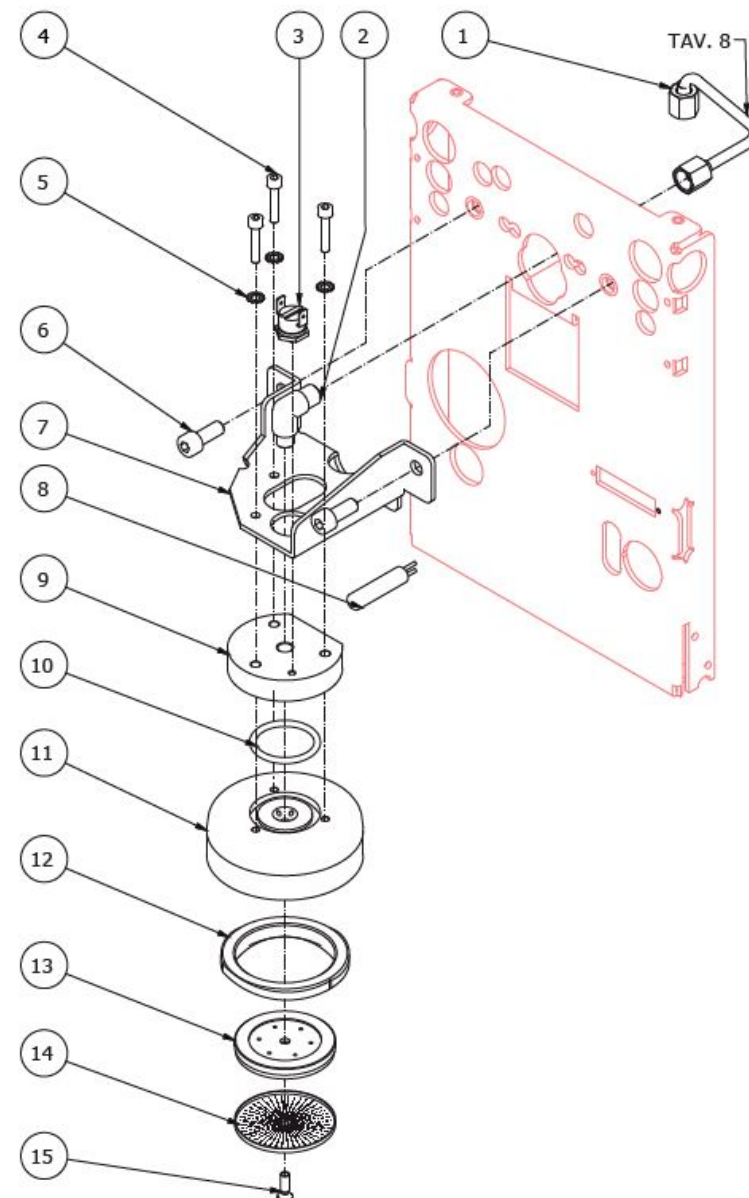
TABLE 3A - (from 03/10/2018)
BZ13

TABLE 3 - (from 18/04/2019)
BZ13

POS	CODE	DESCRIPTION
1	5964085.01AL	BZ07 TAP COMPLETE WITHOUT HOOKING
1	5964101	ASSY TAP DUO/MATRIX (WOOD)
3	7371511.01	BLACK LEVER KNOB I.622/40-M8
3	7372004	WOODEN KNOB
4	5222823CM	FERRULE 3/8
5	5225610	ARTICULATED JOINT M8
6	5260204DL	SHAFT D12X47 AISI303 POLISH
8	5471513	SPRING D8 H17 AISI302
9	5261801	WASHER D11
10	5494004	GASKET D12 X 6 PTFE GRAPHITIZED
11	5221826CM	NUT 3/8
12	5283055TW	TAP BODY OT FOR OR
13	5496042	GASKET D11X4X4 EPT 70
14	5224603AL	GASKET HOLDER D12X12 OT57USA
15	5494021	NUT GASKET PTFE H=1,5
16	5471532.01	SPRING FOR ARTICULATION
17	5190501	CUP FOR FITTING PTFE/GLASS
18	5226601TW	WATER HOSE TERMINAL
19	5493003	GASKET D20.5X15 H1.5 NBR 70SH
20	5471037	ACETALIC AIR FILTER
21	5966568	WATER TUBE LINEAR SPHERE 14,3 WITHOUT AERATOR
22	5494020	GLOBE GASKET 14.3 PTFE
23	5221872.01	LOOSEN NUT 3/8
24	7371004	STEAM PIPE PROTECTION
25	7496095	OR GASKET 6X1.2 EPDM70
26	5266609	STEAM TERMINAL 2 WAYS AISI303
27	7479990.03	STEAM TUBE TERMINAL 2 WAYS SPHERE 14.3
28	7814201	WASHER 14 DIN6798J A2
30	5222225	SPACER D14X19X4
31	5162363LL	STEAM TAP HOSE

TABLE 3 - (from 18/04/2019)
BZ13

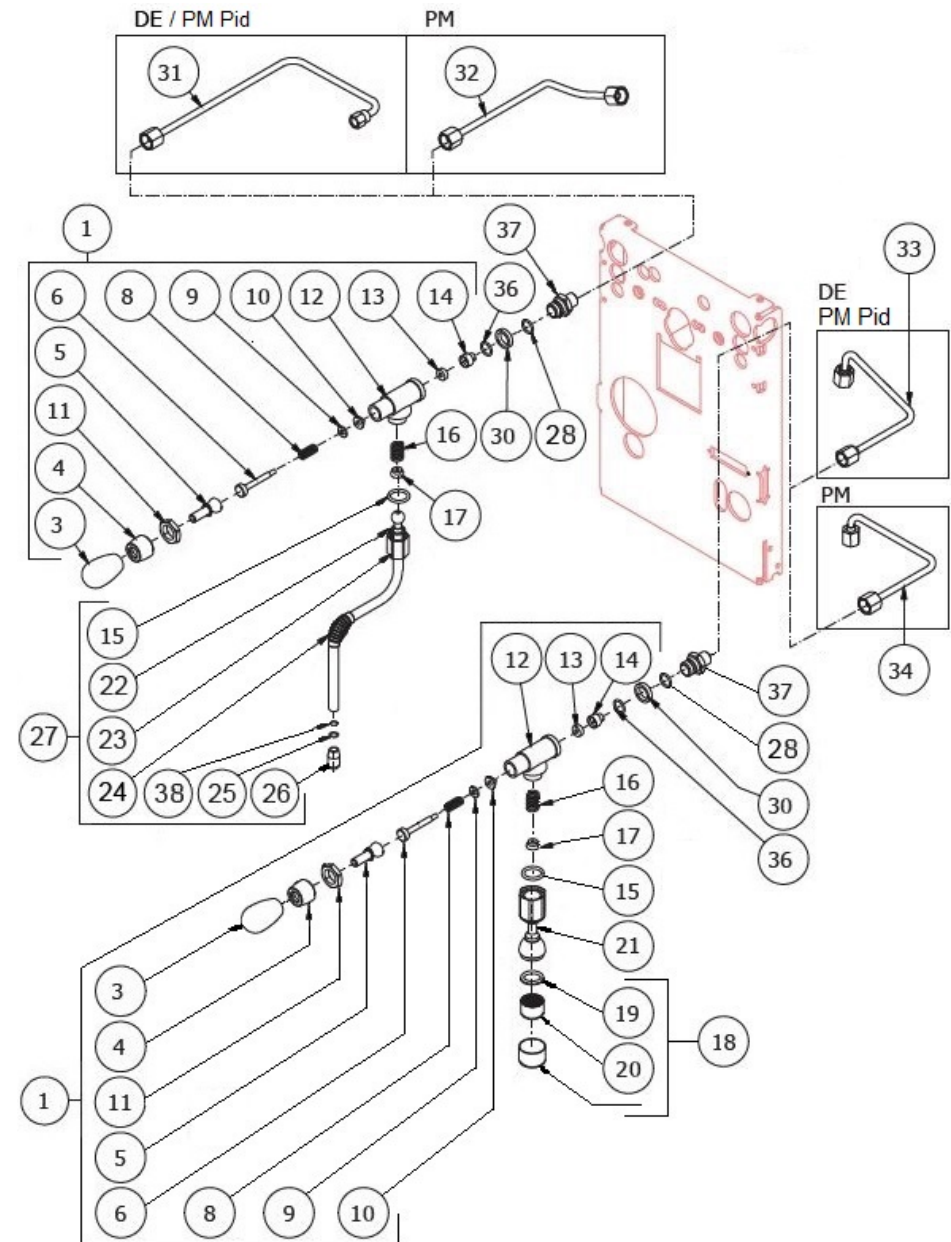


TABLE 3 - (from 18/04/2019)
BZ13

POS	CODE	DESCRIPTION
32	5162364LL	STEAM TAP HOSE
32	5162364TP	STEAM TAP PIPE BZ13S PM (NSF)
33	5162362LL	WATER TAP HOSE
34	5162365LL	WATER TAP HOSE
36	7496052	OR GASKET 114 VITON
37	5225416.01AL	FITTING M14XM13 ES19 H31 WITHOUT OR
38	7496096	GASKET OR. RED SILICONE

TABLE 3 - (from 18/04/2019)
BZ13

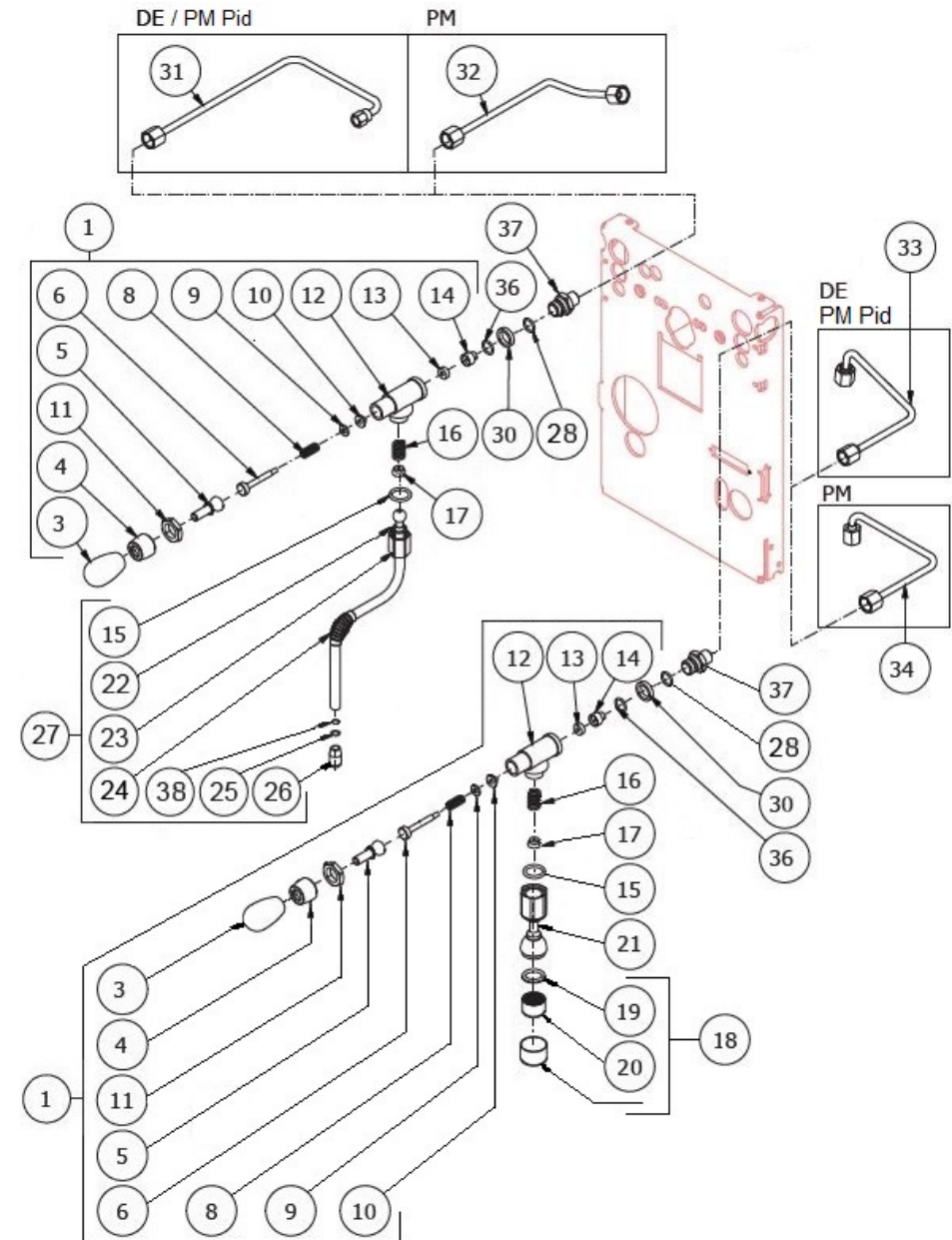


TABLE 3 - (up to 17/04/2019)
BZ13

POS	CODE	DESCRIPTION
1	5964085.01AL	ASSEMBLY TAP WITH OR
2	5964084.01AL	ASSEMBLY TAP WITH OR
3	7371511.01	LEVER KNOB
4	5222823CM	RING NUT 3/8"
5	5225608	ARTICULATION M8 INOX
6	5260204DL	SHAFT D12X47
7	5260203DL	SHAFT D12X47
8	5471513	SPRING
9	5261801	WASHER D11
10	5494004	GASKET D12 X 6 PTFE GRAPHITIZED
11	5221826CM	NUT 3/8"
12	5283055TW	TAP BODY OT FOR OR
13	5496042	GASKET D11X4X4 EPT 70 (C6)
14	5224603TP	GASKET-HOLDER
15	7496072	OR GASKET 121
16	5471532	SPRING
17	5190501	COMPLETE CUP
18	5226601TW	WATER HOSE TERMINAL M22 CHROMED
19	5493003	GASKET D20.5X15 H1.5 NBR 70SH
20	7999918	JET-BREAKER AERATOR CARTRIGE
21	5966548.01AL	ASSEMBLY WATER HOSE
22	5494017	OR GASKET 115 EP856
23	5221872TW	NUT 3/8"
24	7371003	INSULATING
25	7496084	GASKET
26	7305014	TERMINAL 2 HOLES
27	7479990.01TW	ASSEMBLY STEAM HOSE TERMINAL 2 HOLES
30	5222225	SPACER D15X19X4
31	5162363LL	STEAM TAP HOSE
32	5162364LL	STEAM TAP HOSE

TABLE 3 - (up to 17/04/2019)
BZ13

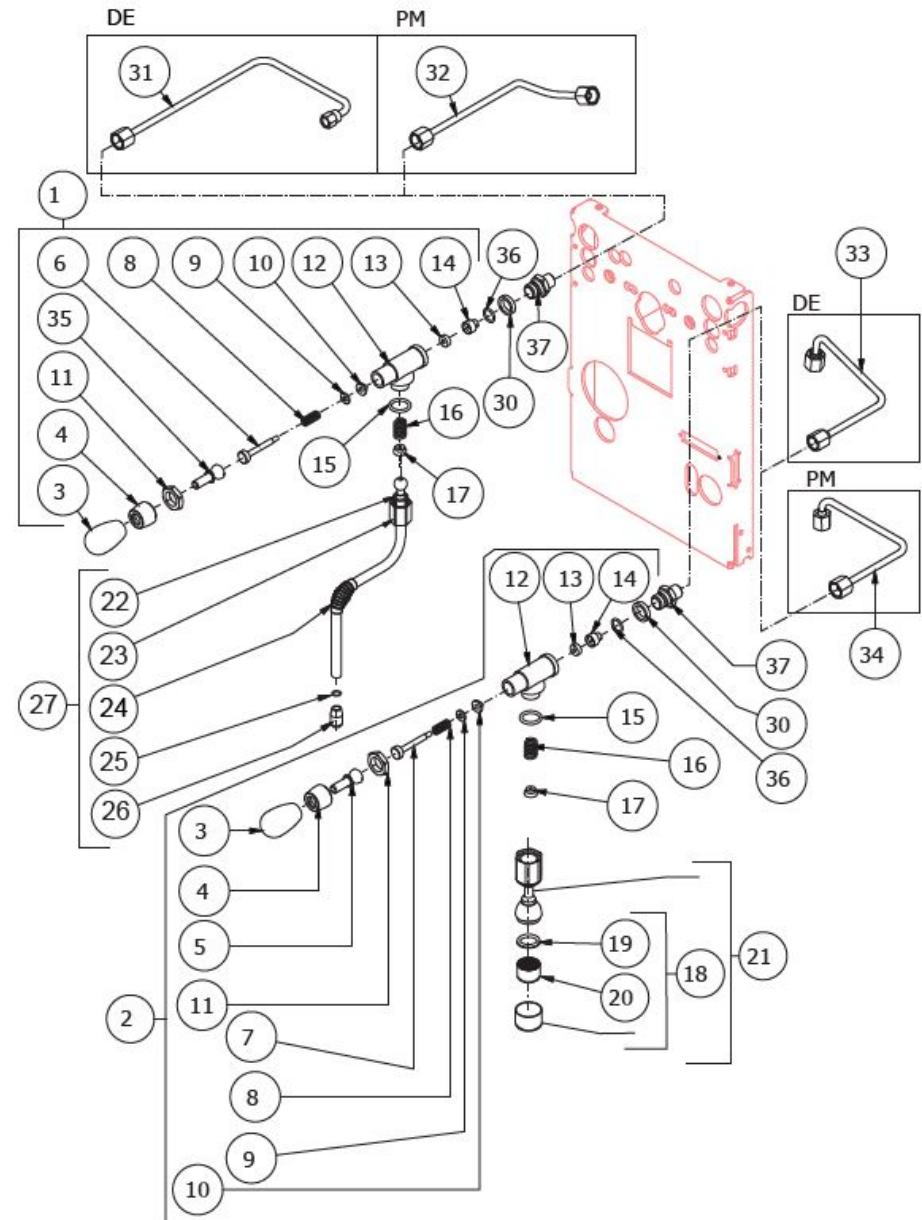


TABLE 3 - (up to 17/04/2019)
BZ13

POS	CODE	DESCRIPTION
33	5162362LL	WATER TAP HOSE
34	5162365LL	WATER TAP HOSE
35	5225610	ARTICULATION M8 INOX
36	7496052	OR GASKET 114
37	5225416TP	FITTING M14X1 WHIT OR

TABLE 3 - (up to 17/04/2019)
BZ13

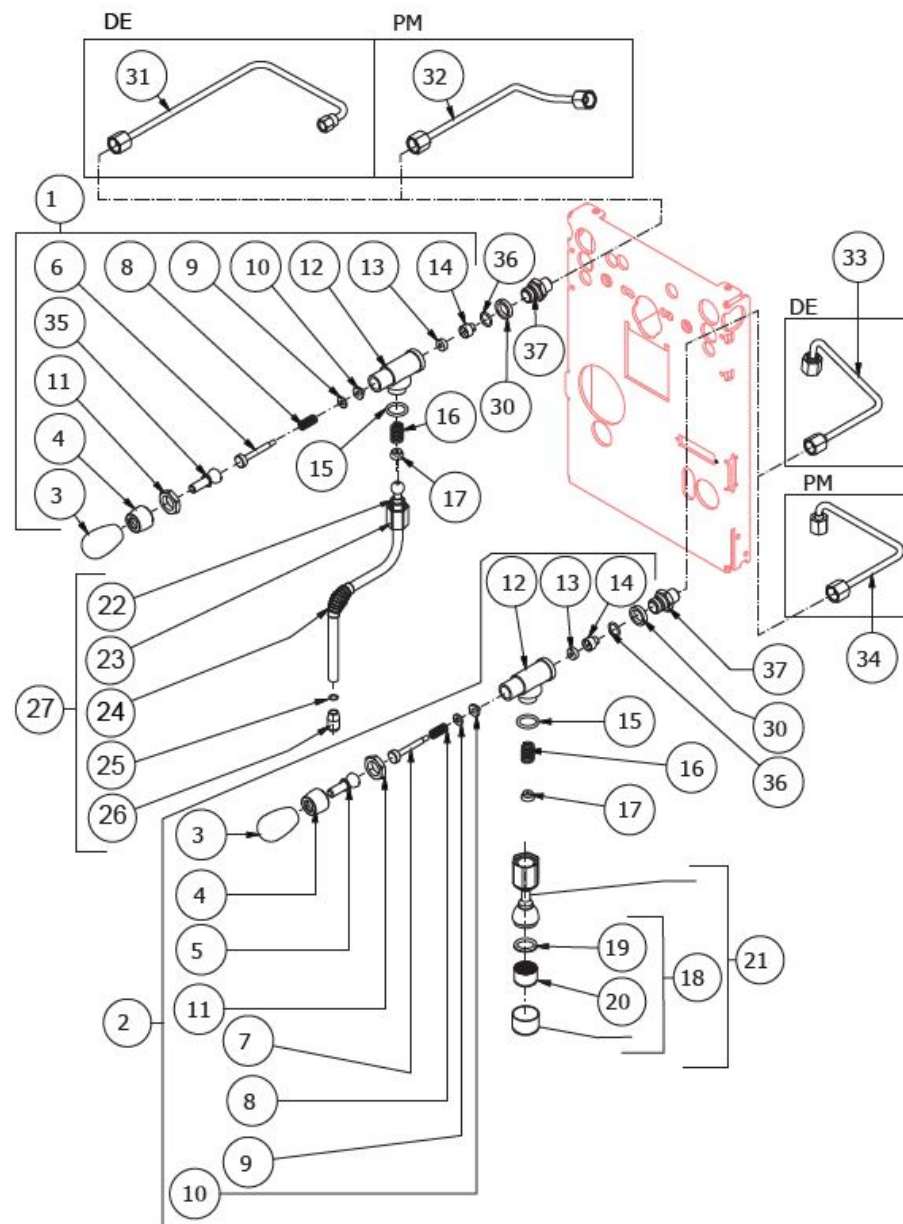


TABLE 3 - (up to 28/01/2014)
BZ13

POS	CODE	DESCRIPTION
1	5964085AL	ASSEMBLY TAP
2	5964084AL	ASSEMBLY TAP
3	7371511.01	LEVER KNOB
4	5222823CM	RING NUT 3/8"
5	5225608	ARTICULATION M8 INOX
6	5260204DL	SHAFT D12X47
7	5260203DL	SHAFT D12X47
8	5471513	SPRING
9	5261801	WASHER D11
10	5494004	GASKET D12 X 6 PTFE GRAPHITIZED
11	5221826CM	NUT 3/8"
12	5283047TW	TAP BODY OT
13	5496042	GASKET D11X4X4 EPT 70 (C6)
14	5224603TP	GASKET-HOLDER
15	7496072	OR GASKET 121
16	5471532	SPRING
17	5190501	COMPLETE CUP
18	7496073	OR GASKET 115 EP856
19	5221872TW	NUT 3/8"
20	7371003	INSULATING
21	7496084	GASKET
22	7305014	TERMINAL 2 HOLES
23	7479990TW	ASSEMBLY STEAM HOSE TERMINAL 2 HOLES
24	5225607TW	WATER HOSE CHROMED
25	7496003	OR GASKET 108 VITON
26	5226610TW	WATER HOSE TERMINAL D23.5X18 OT CHROMED
27	5493003	GASKET D20.5X15 H1.5 NBR 70SH
28	5226601TW	WATER HOSE TERMINAL M22 CHROMED
29	5966548AL	ASSEMBLY WATER HOSE
30	5225410TP	FITTING M14XM13 H26

TABLE 3 - (up to 28/01/2014)
BZ13

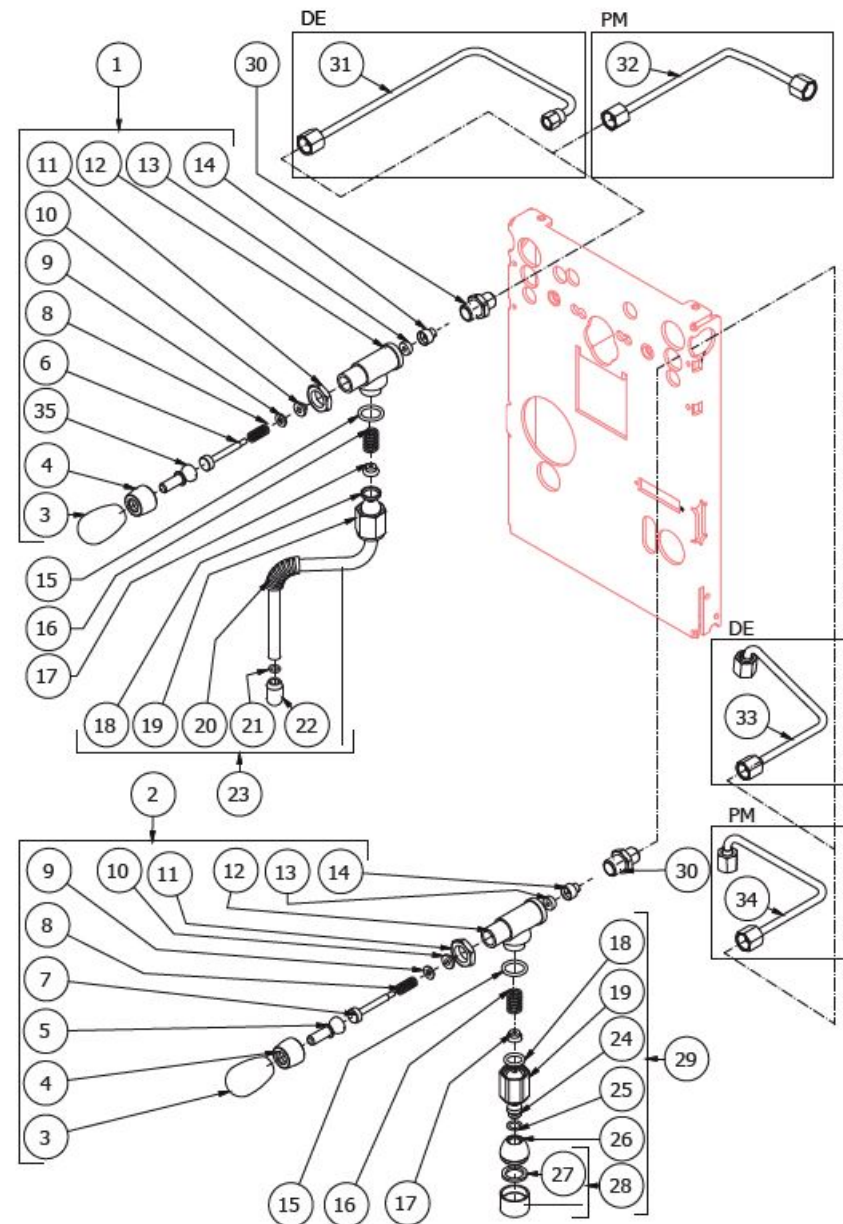


TABLE 3 - (up to 28/01/2014)
BZ13

POS	CODE	DESCRIPTION
31	5162363LL	STEAM TAP HOSE
32	5162364LL	STEAM TAP HOSE
33	5162362LL	WATER TAP HOSE
34	5162365LL	WATER TAP HOSE
35	5225610	ARTICULATION M8 INOX

TABLE 3 - (up to 28/01/2014)
BZ13

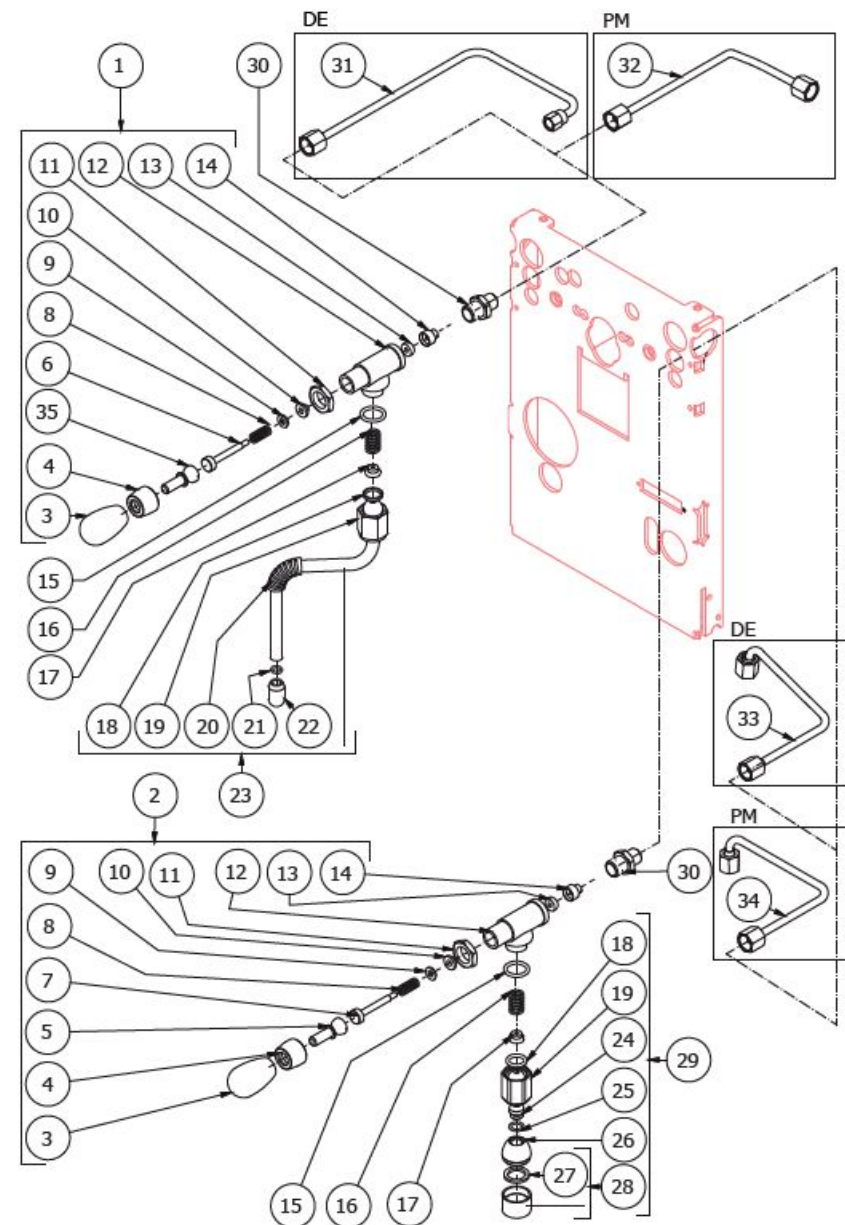


TABLE 3A - (up to 02/10/2018)
BZ13

POS	CODE	DESCRIPTION
1	5162361LL	HOSE FOR SOLENOID VALVE OF GROUP
2	5301504TR	UNION ELBOW 1/8"
3	7634808	THERMIC SAFETY DEVICE 250V 95°C AUTOMATIC
4	7816021	SCREW TCEI M5X25 UNI 5931 A2
5	7814002	NOTCHED WASHER D5 DIN 6798A A2
6	7816014	SCREW M8X20 UNI5931 A2
7	5018462LW	COUPLING RING SUPPORT
8	5963099.01	ASSEMBLY HEATING ELEMENT 110V 50W
8	5963101.01	ASSEMBLY HEATING ELEMENT 230V 50W
9	5283520.01	HEATING ELEMENT FLANGE
10	7496004	OR GASKET 139
11	5280505TW	COUPLING RING CHROMED
12	7496097	OR GASKET 55X8 NBR
13	5285501TP	SHOWER-HOLDER D57
14	5470501	SHOWER D57 AISI 304
15	7817001	SCREW TPS M5X16 A2

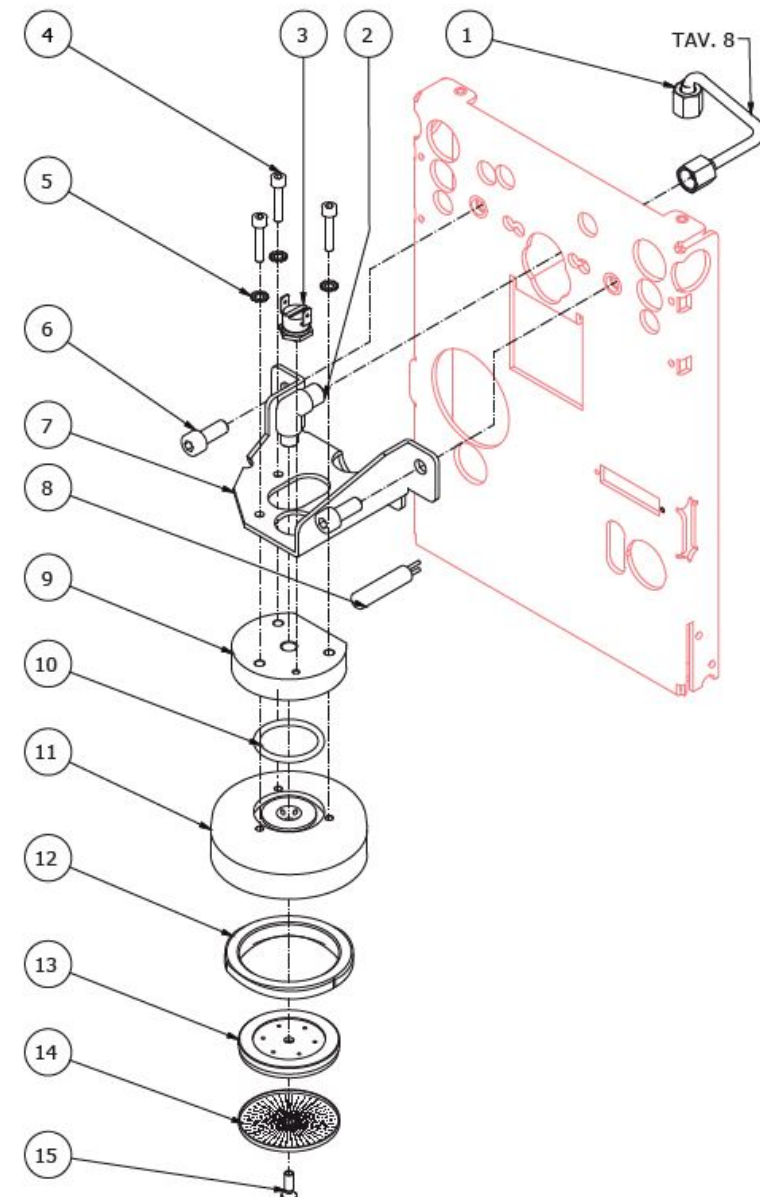
TABLE 3A - (up to 02/10/2018)
BZ13

TABLE 4 - (from 06/10/2018)
BZ13 Mod. DE Pid

POS	CODE	DESCRIPTION
1	5162304LL	EXCHANGER CHARGE PIPE OF BZ07
2	5302006AL	FITTING M12X1/8
3	5192301	SUCTION D6X1 L=130MM PTFE
4	7666008	PROBE X THERMOPID AISI316 D3
5	5265804	LEVEL PROBE D3 X 110 X 6.3
6	5225205	STRAIGHT FITTING M10 OT
8	5162362LL	WATER TAP HOSE
9	5194549	HOSE Ø 8x5 SILICONE L=350
10	7433018	VALVE BODY C111P WITHOUT PRESSOSTAT
11	5226405AL	PLUG 1/4
12	5194616	HOSE 5X3 L=500 SILICONE
13	7303033	FITTING
14	5162363LL	STEAM TAP HOSE
14	5162363TP	STEAM TAP PIPE BZ13S DE (NSF)
15	7304514TR	CONNECTOR TEE BRASS LEAD FREE
16	7611504	CLAMP 2.4
17	5162203.02LL	PRESSOSTAT PIPE FOR BZ07
17	5162203.02TP	PRESSOSTAT TUBE (NSF)
18	5301504AL	ELBOW FITTING M12X1/8
19	5162303.01LL	BOILER LOAD HOSE BZ07
20	5320520.01BL-AL	BOILER BZ07 WITHOUT LEAD AND NICKEL
20	5320529TP-AL	BOILER BZ13/LIVIA (NSF)
21	5226411TP	PLUG 1/8
22	5225209AL	FITTING M10X1/4
23	5192001	PROBE SHEATH D8 X 45 HOLE D3 PTFE
24	5225412AL	FITTING FOR TEMPERATURE PROBE
25	5329019DC-AL	EXCHANGER 2 HOLES L=140 BZ-STREGA
25	5329019TP-AL	EXCHANGER 2 HOLES L=140 BZ/STREGA (NSF)
26	5492025	GASKET D42X32X2 PTFE
27	5265811	LEVEL PROBE D3X160X4.8

TABLE 4 - (from 06/10/2018)
BZ13 Mod. DE Pid

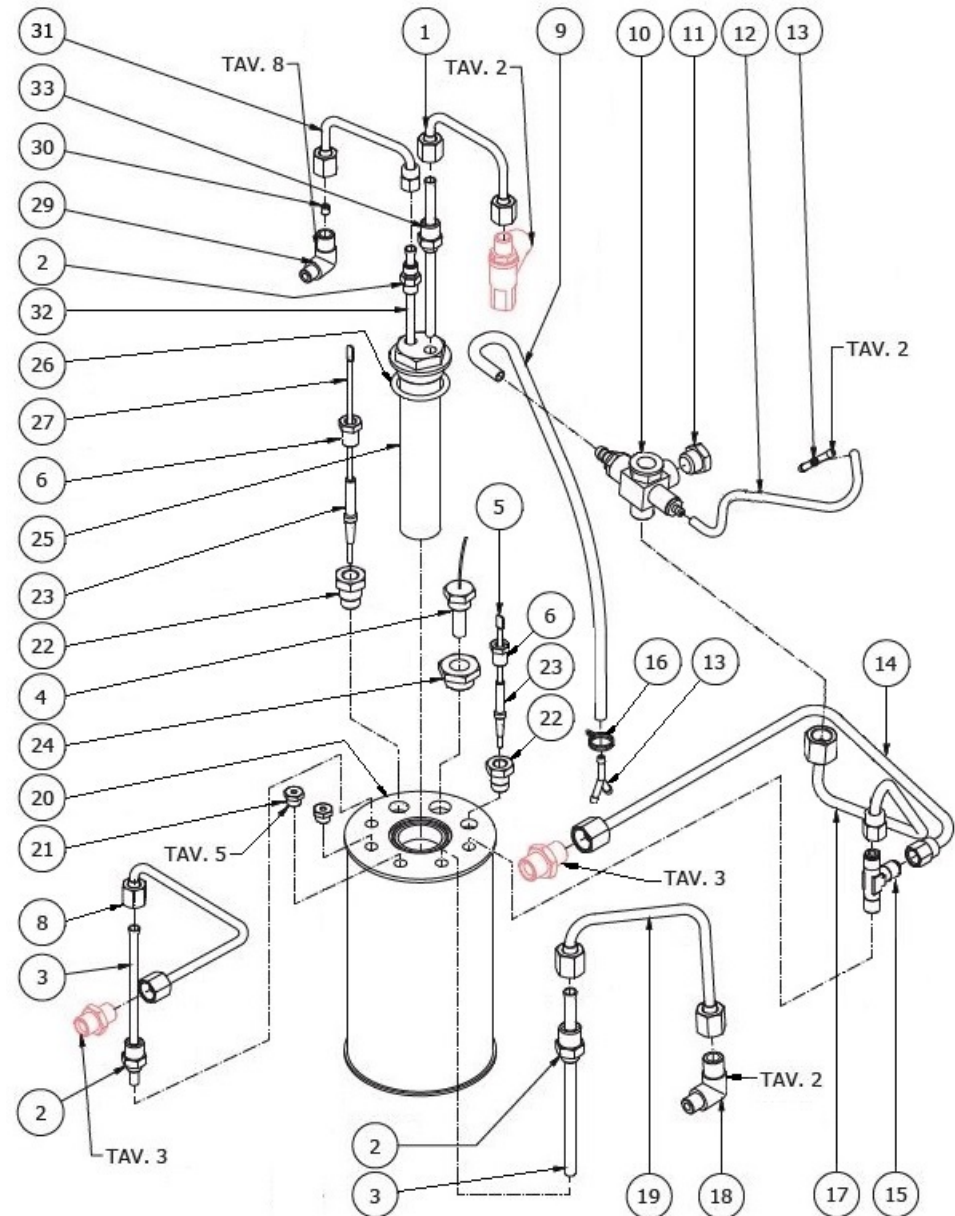


TABLE 4 - (from 06/10/2018)
BZ13 Mod. DE Pid

POS	CODE	DESCRIPTION
29	5301504AL	ELBOW FITTING M12X1/8
30	5223005TP	JET M6 X 6 HOLE D1.2 OT
31	5162185.02LL	EXCHANGER TUBE/EV.GROUP
32	5192324	DRAW OUT D6X1 L=100 PTFE
33	5963186	ASSY INJECTOR 150MM 8HOLES W/ FITTING

TABLE 4 - (from 06/10/2018)
BZ13 Mod. DE Pid

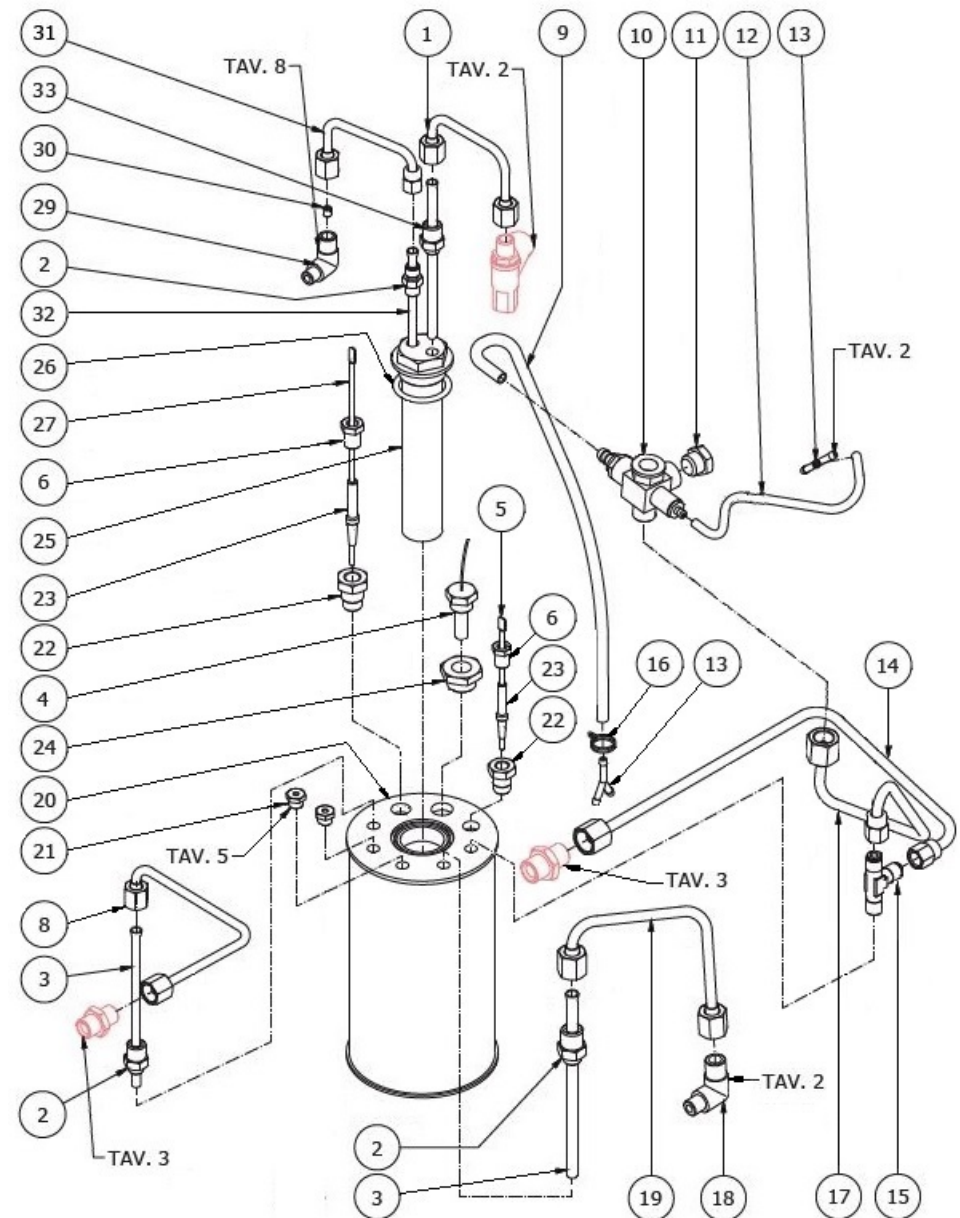


TABLE 4B - (from 29/01/2019)
BZ13 PM Pid

POS	CODE	DESCRIPTION
1	5162304LL	EXCHANGER CHARGE PIPE OF BZ07
2	5302006AL	FITTING M12X1/8
3	5192301	SUCTION D6X1 L=130MM PTFE
4	7666008	PROBE X THERMOPID AISI316 D3
5	5265804	LEVEL PROBE D3 X 110 X 6.3
6	5225205	STRAIGHT FITTING M10 OT
8	5162362LL	WATER TAP HOSE
9	5194549	HOSE Ø 8x5 SILICONE L=350
10	7433018	VALVE BODY C111P WITHOUT PRESSOSTAT
11	5226405AL	PLUG 1/4
12	5194616	HOSE 5X3 L=500 SILICONE
13	7303033	FITTING
14	5162363LL	STEAM TAP HOSE
14	5162363TP	STEAM TAP PIPE BZ13S DE (NSF)
15	7304514TR	CONNECTOR TEE BRASS LEAD FREE
16	7611504	CLAMP 2.4
17	5162203.02TP	PRESSOSTAT TUBE (NSF)
17	5162203.02LL	PRESSOSTAT PIPE FOR BZ07
18	5301504AL	ELBOW FITTING M12X1/8
19	5162303.01LL	BOILER LOAD HOSE BZ07
20	5320529TP-AL	BOILER BZ13/LIVIA (NSF)
20	5320520.01BL-AL	BOILER BZ07 WITHOUT LEAD AND NICKEL
21	5226411TP	PLUG 1/8" G ES.12 H10 HOLE M4 OT
22	5225209AL	FITTING M10X1/4
23	5192001	PROBE SHEATH D8 X 45 HOLE D3 PTFE
24	5225412AL	FITTING FOR TEMPERATURE PROBE
25	5329019TP-AL	EXCHANGER 2 HOLES L=140 BZ/STREGA (NSF)
25	5329019DC-AL	EXCHANGER 2 HOLES L=140 BZ-STREGA
26	5492025	GASKET D42X32X2 PTFE
29	5301504AL	ELBOW FITTING M12X1/8

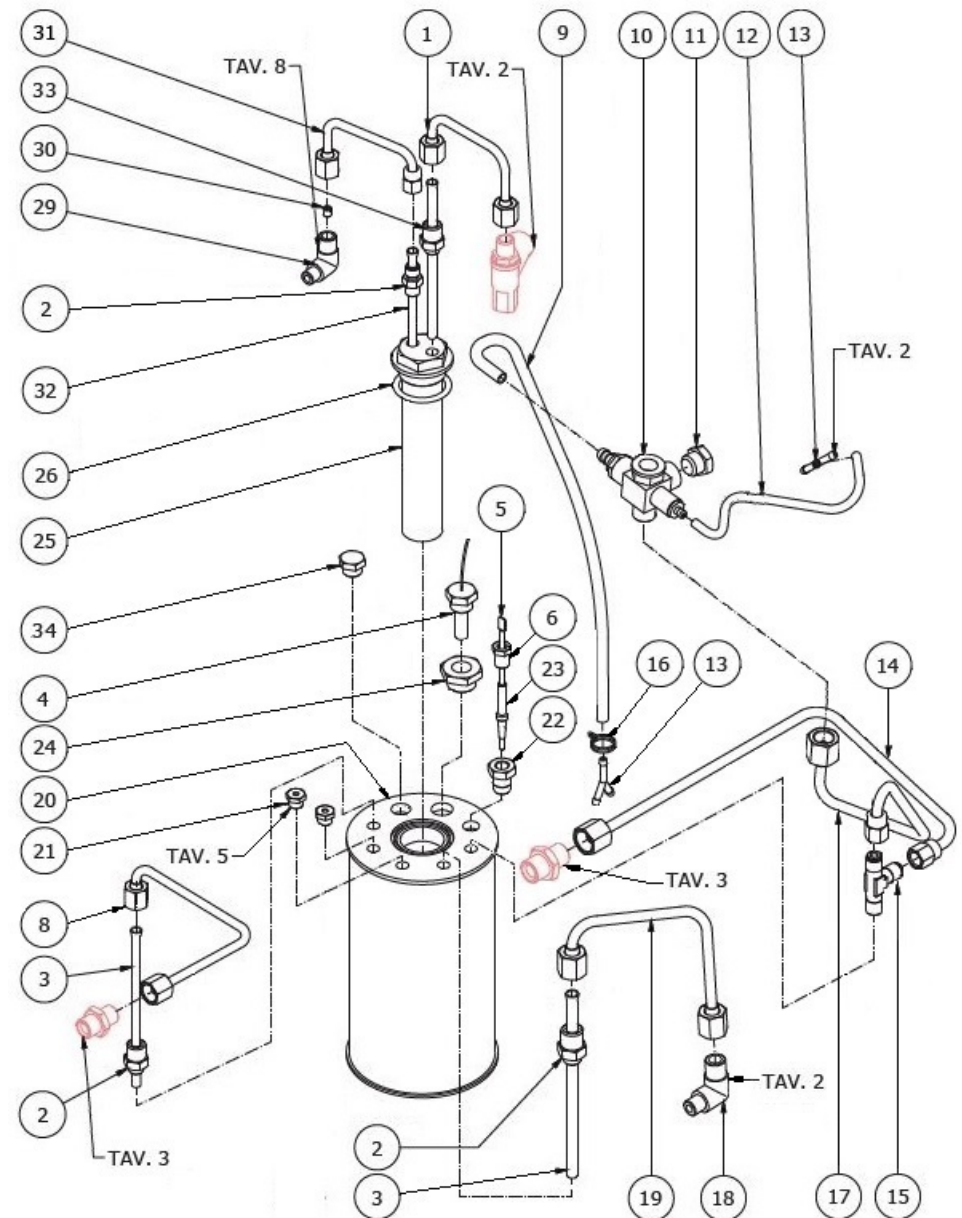
TABLE 4B - (from 29/01/2019)
BZ13 PM Pid

TABLE 4B - (from 29/01/2019)
BZ13 PM Pid

POS	CODE	DESCRIPTION
30	5223005TP	JET M6 X 6 HOLE D1.2 OT
31	5162185.02LL	EXCHANGER TUBE/EV.GROUP
32	5192324	DRAW OUT D6X1 L=100 PTFE
33	5963186	ASSY INJECTOR 150MM 8HOLES W/ FITTING
34	5226405AL	PLUG 1/4

TABLE 4B - (from 29/01/2019)
BZ13 PM Pid

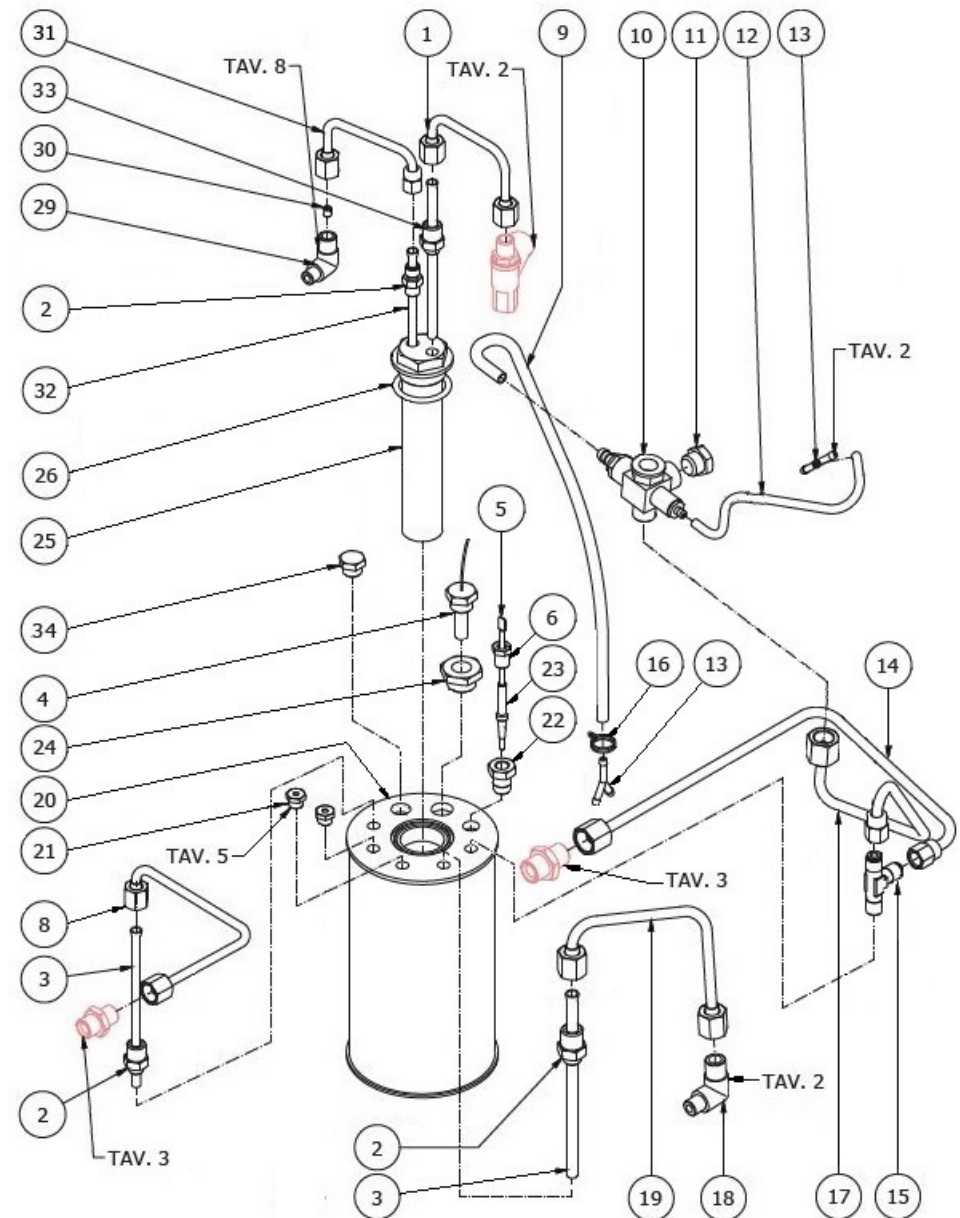


TABLE 4A - (from 20/12/2018)
BZ13 Mod. PM

POS	CODE	DESCRIPTION
1	5162304LL	EXCHANGER CHARGE PIPE OF BZ07
2	5194549	HOSE Ø 8x5 SILICONE L=350
3	5162203.02LL	PRESSOSTAT PIPE FOR BZ07
3	5162203.02TP	PRESSOSTAT TUBE (NSF)
4	7433012	PRESSOSTAT XP110+C110P 1,2BAR 15A
5	5194616	HOSE 5X3 L=500 SILICONE
6	7303033	FITTING
7	7400911	BOILER CAPILL.
8	7304514TR	CONNECTOR TEE BRASS LEAD FREE
9	7611504	CLAMP 2.4
10	5301504AL	ELBOW FITTING M12X1/8
11	5265804	LEVEL PROBE D3 X 110 X 6.3
12	5225205	STRAIGHT FITTING M10 OT
13	5192001	PROBE SHEATH D8 X 45 HOLE D3 PTFE
14	5225209AL	FITTING M10X1/4
15	5320520.01BL-AL	BOILER BZ07 WITHOUT LEAD AND NICKEL
15	5320529TP-AL	BOILER BZ13/LIVIA (NSF)
16	5226411TP	PLUG 1/8
17	5162365LL	WATER TAP HOSE
18	5302006AL	FITTING M12X1/8
20	5192301	SUCTION D6X1 L=130MM PTFE
21	5226405AL	PLUG 1/4
22	5302070AL	FITTING 3/8
23	5301506TR	UNION ELBOW M13X1/4
24	5162364TP	STEAM TAP PIPE BZ13S PM (NSF)
24	5162364LL	STEAM TAP HOSE
25	5162303.01LL	BOILER LOAD HOSE BZ07
26	5492025	GASKET D42X32X2 PTFE
27	5329019TP-AL	EXCHANGER 2 HOLES L=140 BZ/STREGA (NSF)
27	5329019DC-AL	EXCHANGER 2 HOLES L=140 BZ-STREGA

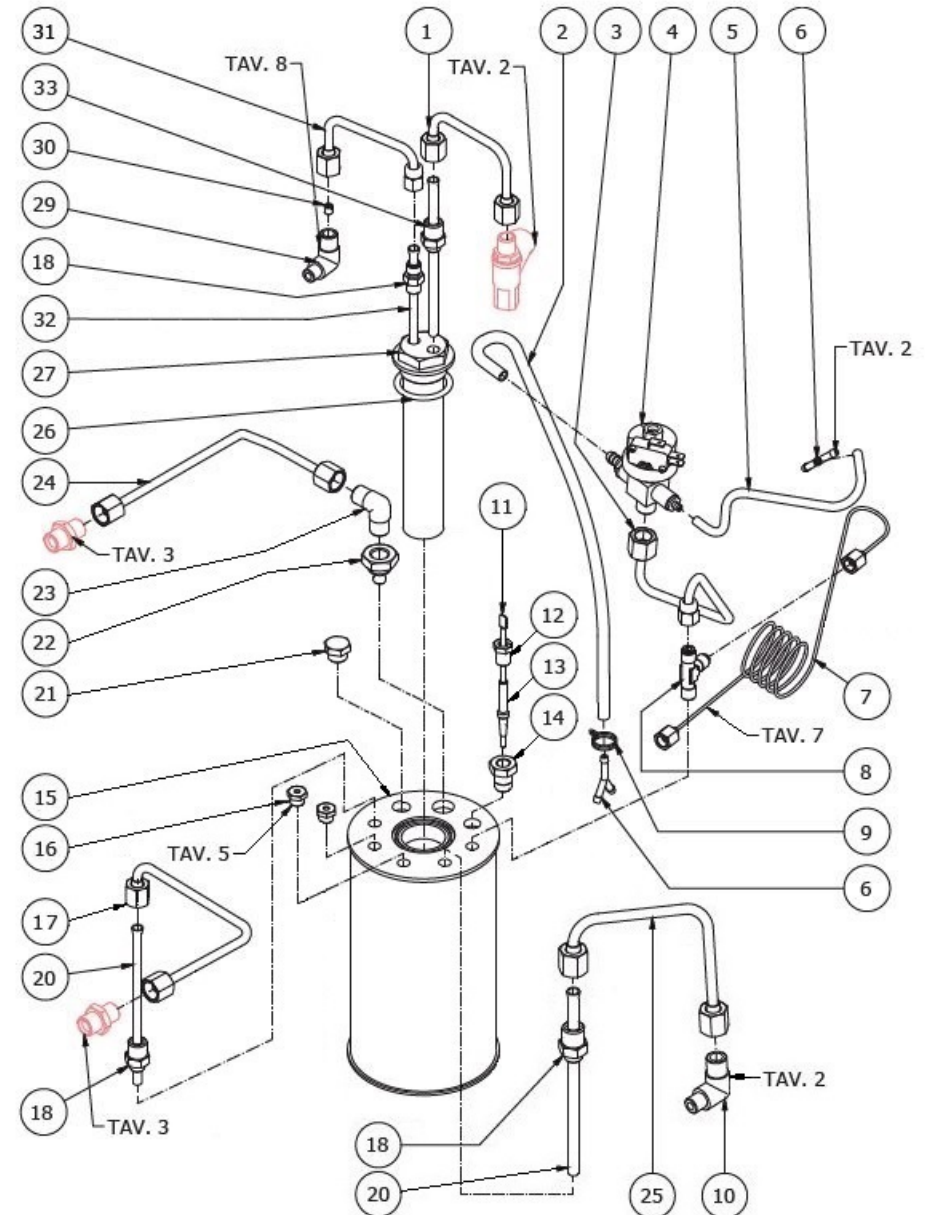
TABLE 4A - (from 20/12/2018)
BZ13 Mod. PM

TABLE 4A - (from 20/12/2018)
BZ13 Mod. PM

POS	CODE	DESCRIPTION
29	5301504AL	ELBOW FITTING M12X1/8
30	5223005TP	JET M6 X 6 HOLE D1.2 OT
31	5162185.02LL	EXCHANGER TUBE/EV.GROUP
32	5192324	DRAW OUT D6X1 L=100 PTFE
33	5963186	ASSY INJECTOR 150MM 8HOLES W/ FITTING

TABLE 4A - (from 20/12/2018)
BZ13 Mod. PM

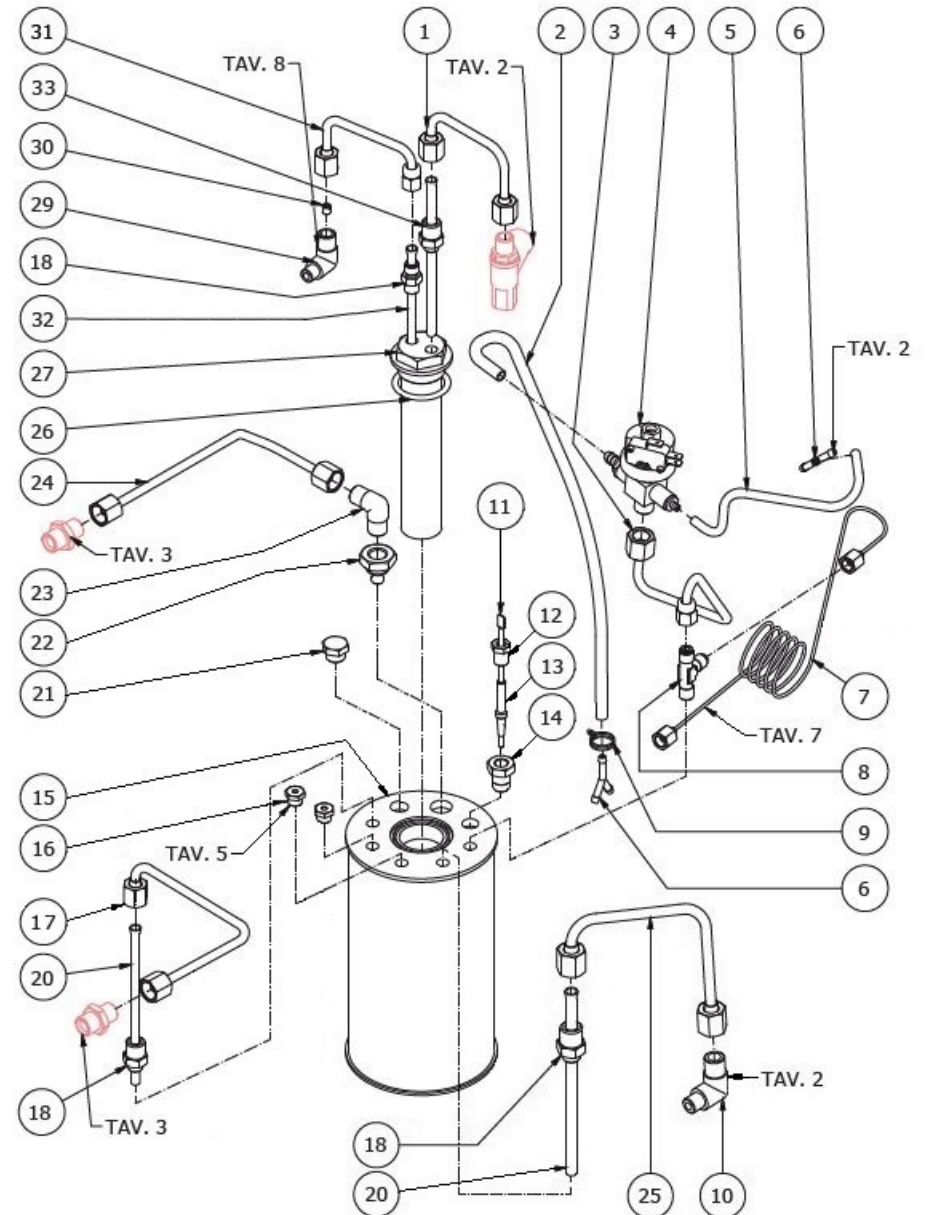


TABLE 4A - (up to 19/12/2018)
BZ13 Mod. PM

POS	CODE	DESCRIPTION
1	5162304LL	EXCHANGER LOAD HOSE
2	5194549	HOSE D8X5 L=350 SILICONE
3	5162203.02LL	PRESSURE SWITCH HOSE
4	7433012	PRESSOSTAT XP110+C110P 1,2BAR 15A
5	5194616	HOSE 5X3 L=500 SILICONE
6	7303033	FITTING
7	7400902	BOYLER-MANOMETER CAPILLARY
8	7304514TR	FITTING
9	7611504	CLAMP
10	5301504TR	UNION ELBOW 1/8"
11	5265804	LEVEL PROBE 1GR D3 X 110 X 6.3
12	5225205	STRAIGHT FITTING M10 OT
13	5192001	PROBE SHEATH D8 X 45 HOLE D3 PTFE
14	5225209TP	STRAIGHT FITTING 1/4"
15	5320520.01TP-AL	BOILER
16	5226411TP	PLUG 1/8"
17	5162365LL	WATER TAP HOSE
18	5302006TP	STRAIGHT FITTING 1/8"
20	5192301	SUCTION HOSE D6 L=130MM PTFE
21	5226405TP	PLUG 1/4"
22	5302070TP	FITTING 3/8"
23	5301506TR	UNION ELBOW M13X1/4
24	5162364LL	STEAM TAP HOSE
25	5162303.01LL	BOILER LOAD HOSE
26	5495007	GASKET D32 X 3 BRASS
27	5329019DC-AL	ASSEMBLY EXCHANGER HOSE POLISHED
29	5301504TR	UNION ELBOW 1/8"
30	5223005TP	JET M6 X 6 HOLE D1.2 OT
31	5162185LL	EXCHANGER-GROUP SOLENOID VALVE HOSE

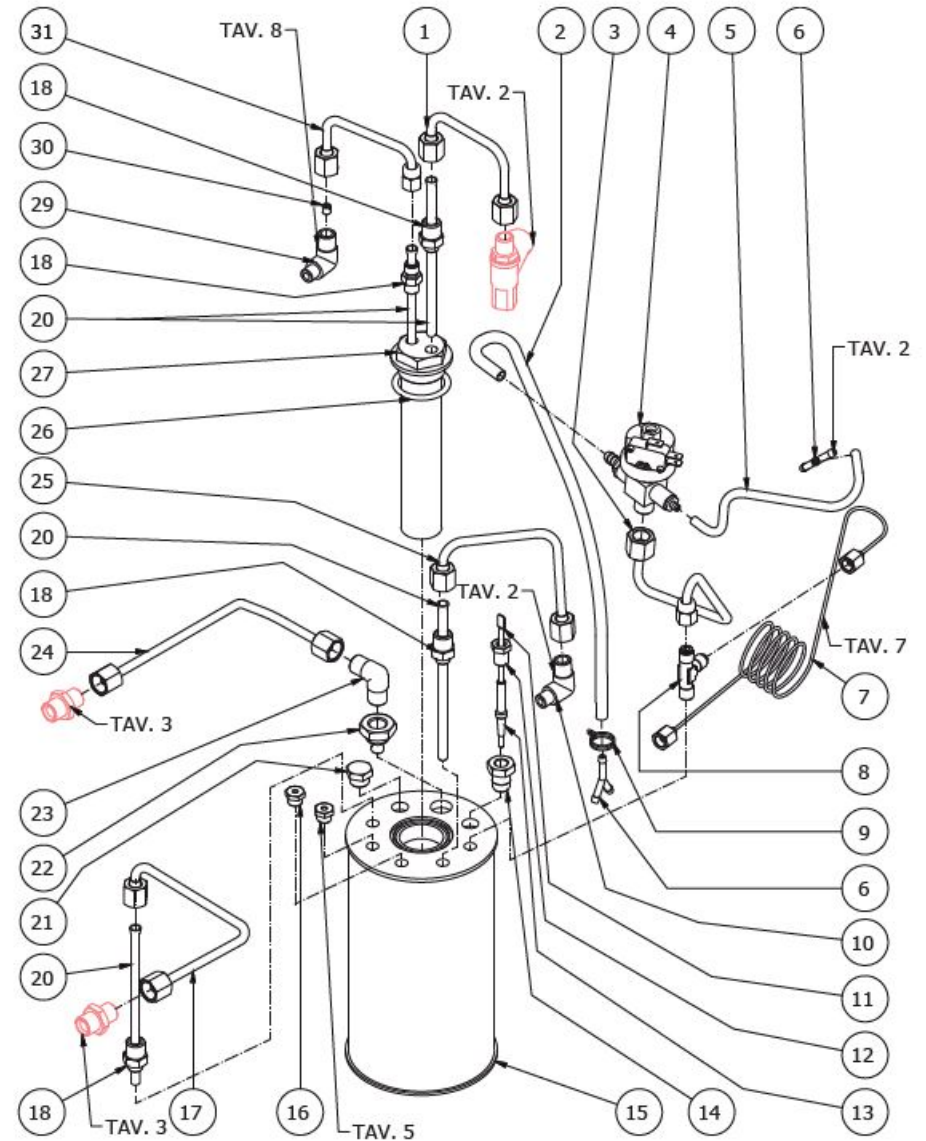
TABLE 4A - (up to 19/12/2018)
BZ13 Mod. PM

TABLE 4 - (up to 05/10/2018)
BZ13 Mod. DE Pid

POS	CODE	DESCRIPTION
1	5162304LL	EXCHANGER LOAD HOSE
2	5302006TP	STRAIGHT FITTING 1/8"
3	5192301	SUCTION HOSE D6 L=130MM PTFE
4	7666002	PROBE T.PID
5	5265804	LEVEL PROBE 1GR D3 X 110 X 6.3
6	5225205	STRAIGHT FITTING M10 OT
8	5162362LL	WATER TAP HOSE
9	5194549	HOSE D8X5 L=350 SILICONE
10	7433018	VALVE BODY
11	5226405TP	PLUG 1/4"
12	5194616	HOSE 5X3 L=500 SILICONE
13	7303033	FITTING
14	5162363LL	STEAM TAP HOSE
15	7304514TR	FITTING
16	7611504	CLAMP
17	5162203.02LL	PRESSURE SWITCH HOSE
18	5301504TR	UNION ELBOW 1/8"
19	5162303.01LL	BOILER LOAD HOSE
20	5320520.01TP-AL	BOILER
21	5226411TP	PLUG 1/8"
22	5225209TP	STRAIGHT FITTING 1/4
23	5192001	PROBE SHEATH D8 X 45 HOLE D3 PTFE
24	5225412	FITTING
25	5329019DC-AL	ASSEMBLY EXCHANGER HOSE POLISHED
26	5495007	GASKET D32 X 3 BRASS
27	5265811	LEVEL PROBE D3X160X4.8
29	5301504TR	UNION ELBOW 1/8"
30	5223005TP	JET M6 X 6 HOLE D1.2 OT
31	5162185LL	EXCHANGER-GROUP SOLENOID VALVE HOSE

TABLE 4 - (up to 05/10/2018)
BZ13 Mod. DE Pid

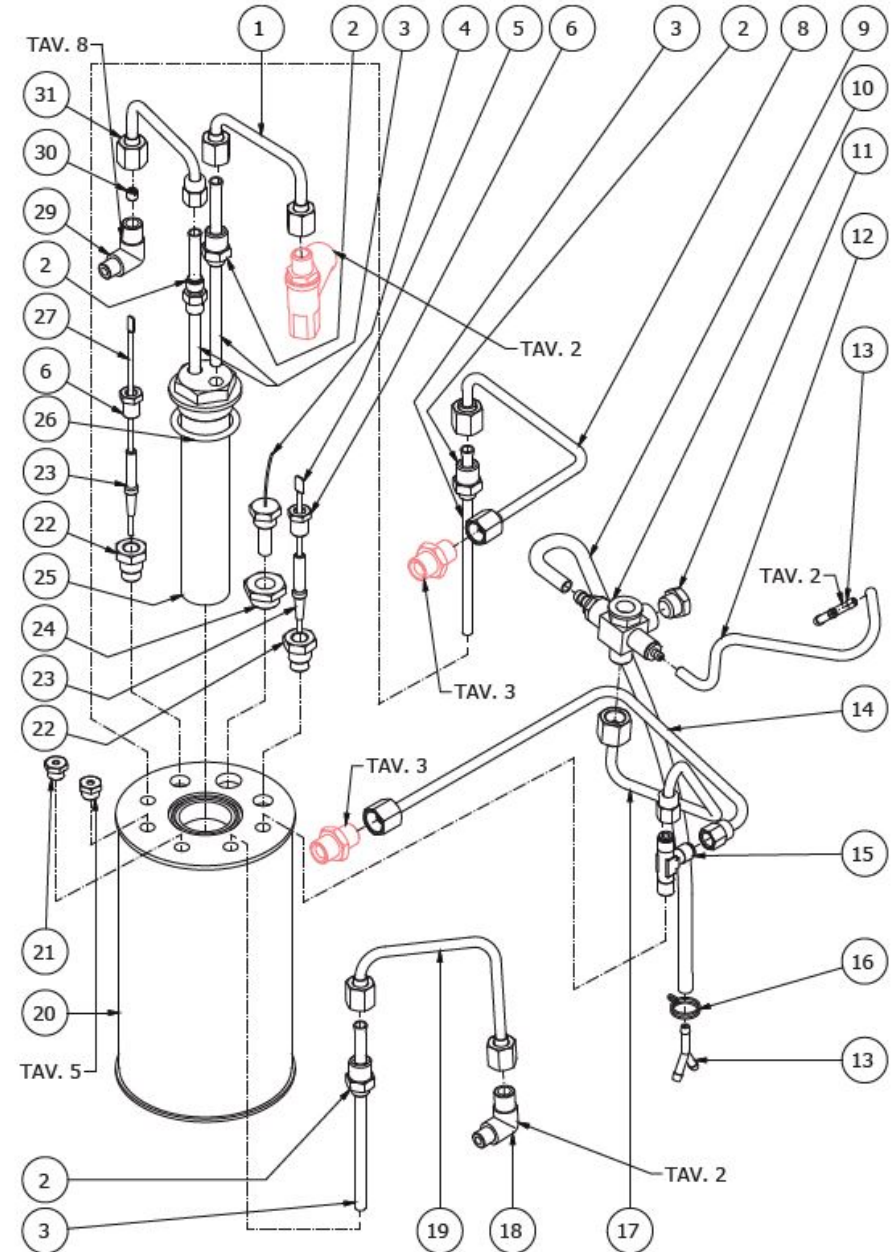


TABLE 5 - (from 23/04/2018)
BZ13

POS	CODE	DESCRIPTION
1	7816009	SCREW TCEI M4X10 UNI 5931A2
2	7825003	WASHER D5X1 UNI 6592 OT
4	5226411TP	PLUG 1/8
5	7496040	OR GASKET D73 X 3 VITON
6	7826402	SCREW TE M4X16 UNI 5739 OT
7	5721128.01AL	HEATING ELEMENT 120V 1200W
7	5722239.01AL	HEATING ELEMENT 220/240V-1100/1300W
7	5721007AL	HEATING ELEMENT 100V 1200W
8	7816422	SCREW TE M6X14 UNI 5739 OT
10	7634819.01	THERMIC PROTECTION 250V 130°C FASTON 90°
11	7663573.01	RESISTANCE CONNECTION CABLE
12	7814001	WASHER D4 DIN 6798A A2
13	7816409	SCREW TE M4X8 UNI 5739 A2
14	7822603	NUT M4 OT
15	7825003	WASHER D5X1 UNI 6592 OT
16	5058474LL	BOILER SUPPORT
17	7816004	SCREW TCEI M4X16 A2
18	7816211	SCREW TC M4X12 UNI7687 A2 (NSF)

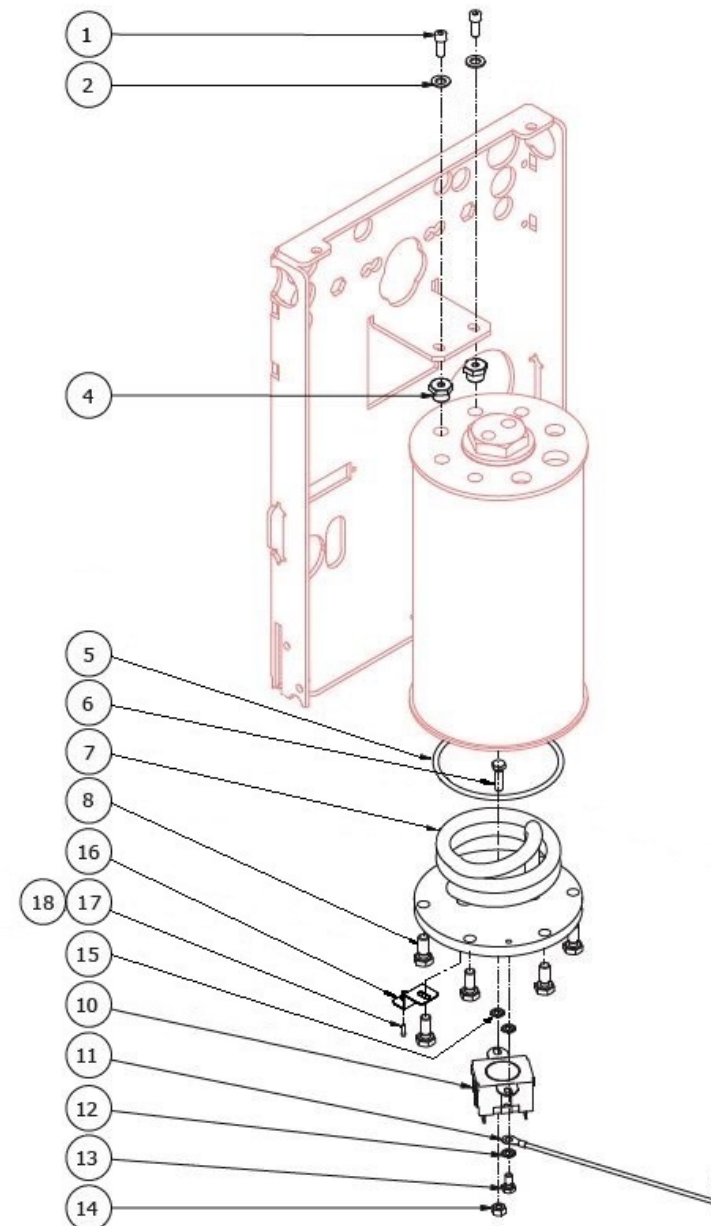
TABLE 5 - (from 23/04/2018)
BZ13

TABLE 5 - (up to 22/04/2018)
BZ13

POS	CODE	DESCRIPTION
1	7816002	SCREW TCEI M4X12
2	7825003	WASHER D5X1 UNI 6592 OT
3	7492003	GASKET D6.5
4	5226411TP	PLUG 1/8"
5	7496040	OR GASKET D73 X 3 VITON
6	7826402	SCREW TE M4X16 UNI 5739 OT
7	5721128AL	HEATING ELEMENT V110/120 W1200
7	5722239.01AL	HEATING ELEMENT 220/240V W1100-1300
8	7816422	SCREW TE M6X14 UNI 5739 OT
10	7634819	THERMIC SAFETY DEVICE 250V 130°C
11	7663573	GROUND WIRE
12	7814001	WASHER D4 DIN 6798A A2
13	7816409	SCREW TE M4X8 UNI 5739 A2
14	7822603	NUT M4

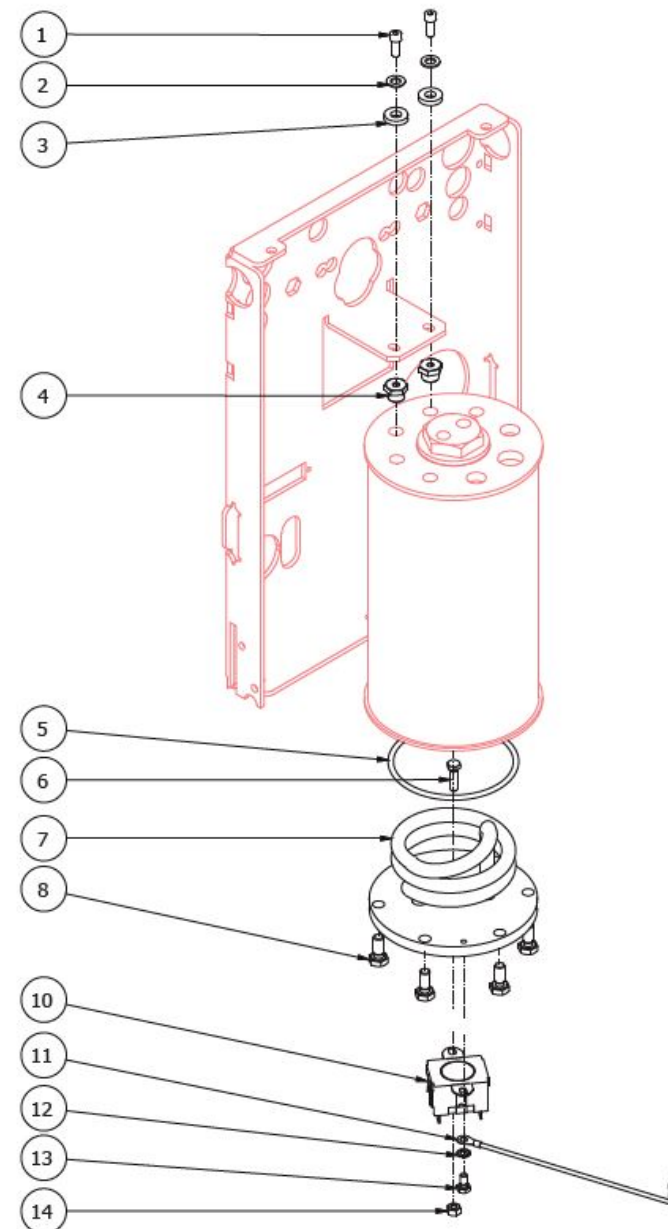
TABLE 5 - (up to 22/04/2018)
BZ13

TABLE 6A - (from 25/09/2019)
BZ13 Mod. PM/PM Pid

POS	CODE	DESCRIPTION
1	5194635	PUMP-SOLENOID VALVE HOSE(FROM 14.12.15)
1	5194635	PUMP-SOLENOID VALVE HOSE(FROM 14.12.15)
2	7611516	CLAMP 10086
3	7303006	RUBBER-HOLDER FITTING
4	5194582	HOSE 8X5 L=750 SILICONE
5	7731023.01	VIBRATION PUMP OL PLUS 230V 50HZ OT57
5	7731024.01	VIBRATION PUMP PLUS 120V 60HZ OT57
5	7731026.01	VIBRATION PUMP OL PLUS 220V 50/60HZ
5	7731027.01	VIBRATION PUMP PLUS 240V 50HZ OT57
6	7470602	VIBRATION-DAMPING
7	7303056R	ELBOW FITTING M1/8
8	7815003	PLAIN WASHER D5 UNI 6592 A2
9	7816004	SCREW TCEI M4X16 A2
10	7374015	WATER FILTER 200 MICRON
11	5194582R	WATER SOFTENER KIT BZ GROUP MODELS
12	7634816	THERMIC SAFETY DEV.AUT.PUMP 100°
13	7496023	GASKET OR 106 VITON

TABLE 6A - (from 25/09/2019)
BZ13 Mod. PM/PM Pid

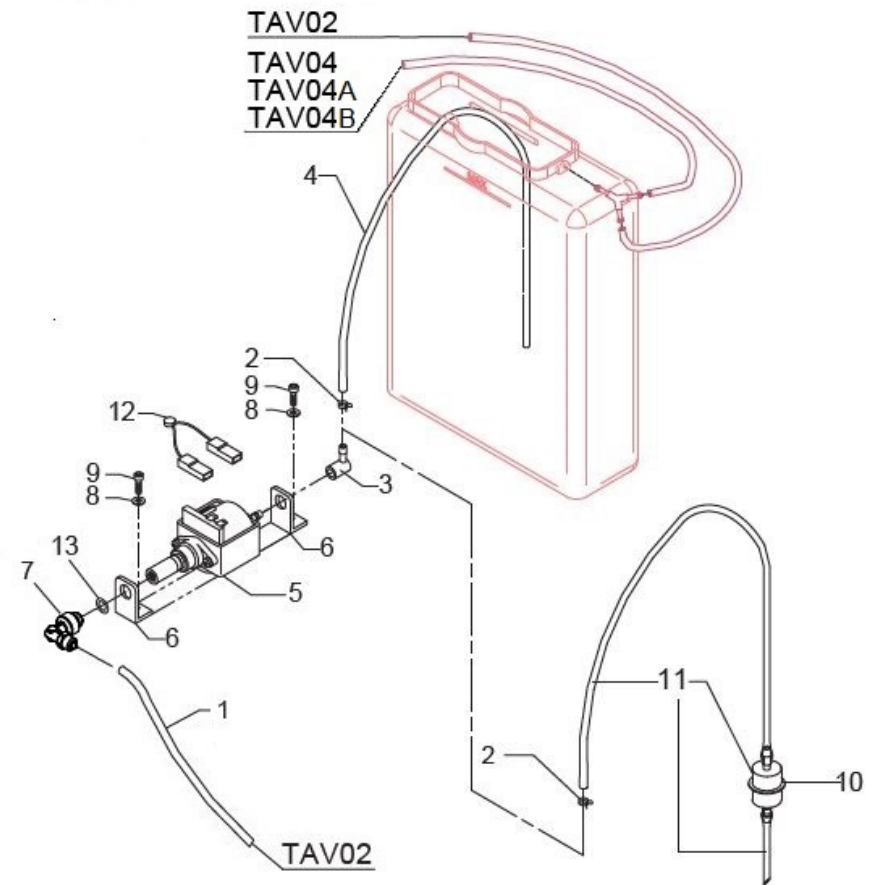


TABLE 6 - (from 25/09/2019)

BZ13 Mod. DE Pid

POS	CODE	DESCRIPTION
1	7431002	FLOW METER LOW PRESSURE
2	7611516	CLAMP 10086
3	5194570	CRYSTAL TUBE D8X5 L=150MM
4	5194582	HOSE 8X5 L=750 SILICONE
5	7731023.01	VIBRATION PUMP OL PLUS 230V 50HZ OT57
5	7731024.01	VIBRATION PUMP PLUS 120V 60HZ OT57
5	7731026.01	VIBRATION PUMP OL PLUS 220V 50/60HZ
5	7731027.01	VIBRATION PUMP PLUS 240V 50HZ OT57
6	7470602	VIBRATION-DAMPING
7	7303056R	ELBOW FITTING M1/8
8	7815003	PLAIN WASHER D5 UNI 6592 A2
9	7816004	SCREW TCEI M4X16 A2
10	7303006	RUBBER-HOLDER FITTING
11	5194635	PUMP-SOLENOID VALVE HOSE(FROM 14.12.15)
12	7374015	WATER FILTER 200 MICRON
13	5194582R	WATER SOFTENER KIT BZ GROUP MODELS
14	7634816	THERMIC SAFETY DEV.AUT.PUMP 100°
15	7496023	GASKET OR 106 VITON

TABLE 6 - (from 25/09/2019)

BZ13 Mod. DE Pid

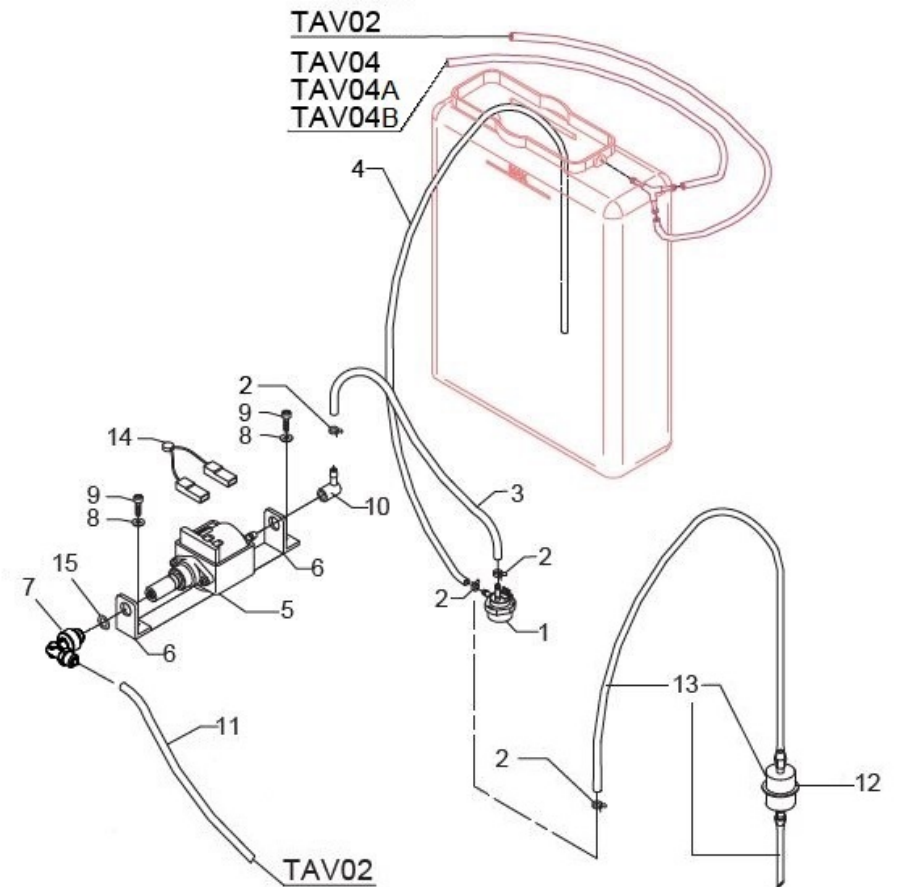


TABLE 6 - (up to 24/09/2019)
BZ13 Mod. DE Pid

POS	CODE	DESCRIPTION
1	7431002	FLOW METER
2	7611516	CLAMP
3	5194570	CRISTAL HOSE D5 X 8 L=150MM
4	5194582	HOSE 8X5 L=750 SILICONE
5	7731022	VIBRATION PUMP EX5 220V 60HZ WITH OR
5	7731020	VIBRATION PUMP EX5 230V WITH OR
5	7731018	VIBRATION PUMP EX5 100V C/OR
5	7731019	VIBRATION PUMP EX5 120V WITH OR
5	7731021	VIBRATION PUMP EX5 240V WITH OR
6	7470602	VIBRATION-DAMPING
7	7303042TR	UNION
8	7805009	PLAIN WASHER D5 X 11 X 1
9	7816004	SCREW TCEI M4 X 16
10	7303006	RUBBER-HOLDER FITTING
11	5194631.01R	PUMP-SOLENOID VALVE HOSE (up to 13.01.15)
11	5194635	PUMP-SOLENOID VALVE HOSE
12	7374015	FILTER
13	5194582R	HOSE WITH FILTER
14	7634816	THERMIC SAFETY DEVICE 100°C AUTOMATIC
15	5225418TP	FITTING 1/8"
16	7496018	OR GASKET 105 VITON

TABLE 6 - (up to 24/09/2019)
BZ13 Mod. DE Pid

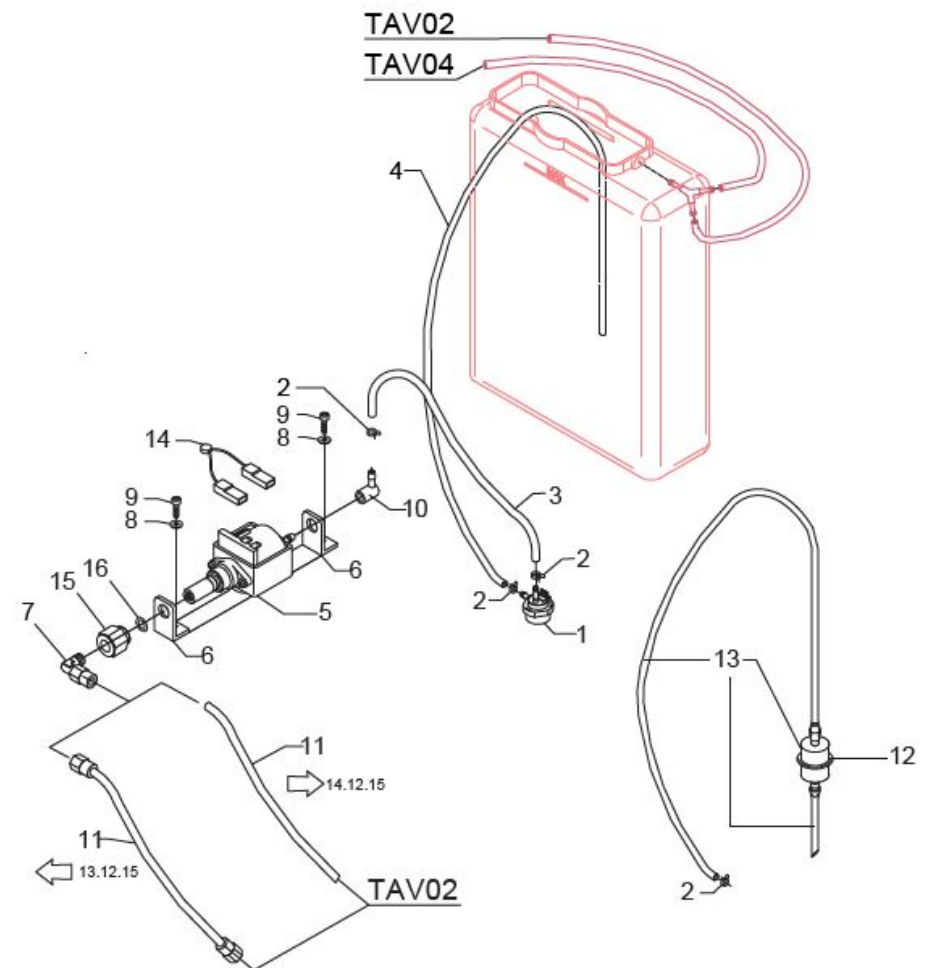


TABLE 6A - (up to 24/09/2019)
BZ13 Mod. PM

POS	CODE	DESCRIPTION
1	5194631.01R	PUMP-SOLENOID VALVE HOSE (up to 13.01.15)
1	5194635	PUMP-SOLENOID VALVE HOSE
2	7611516	CLAMP
3	7303006	RUBBER-HOLDER FITTING
4	5194582	HOSE 8X5 L=750 SILICONE
5	7731022	VIBRATION PUMP EX5 220V 60HZ WITH OR
5	7731020	VIBRATION PUMP EX5 230V WITH OR
5	7731018	VIBRATION PUMP EX5 100V C/OR
5	7731019	VIBRATION PUMP EX5 120V WITH OR
5	7731021	VIBRATION PUMP EX5 240V WITH OR
6	7470602	VIBRATION-DAMPING
7	7303042TR	UNION
8	7805009	PLAIN WASHER D5 X 11 X 1
9	7816004	SCREW TCEI M4 X 16
10	7374015	FILTER
11	5194582R	HOSE WITH FILTER
12	7634816	THERMIC SAFETY DEVICE 100° C AUTOMATIC
13	5225418TP	FITTING 1/8"
14	7496018	OR GASKET 105 VITON

TABLE 6A - (up to 24/09/2019)
BZ13 Mod. PM

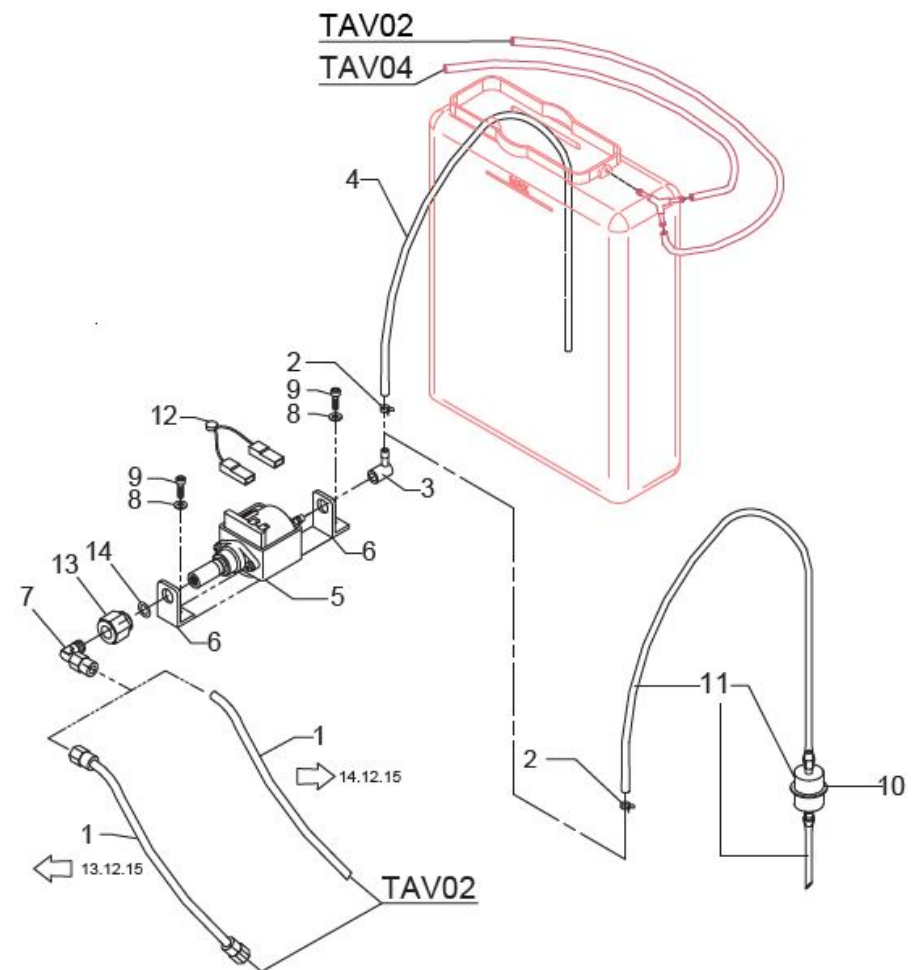


TABLE 7A - (up to 23/01/2019)
BZ13 Mod. DE

POS	CODE	DESCRIPTION
1	7633907	MICROSWITCH
2	7819911	SCREW TTEI M4X25
3	7822602	NUT M3
4	7816005	SCREW TCEI M4X20
5	7662671.01PR	DOSAGE 3S 220/240V
5	7662650.02PR	DOSAGE 3S 115V
6	5058433LL	LEVEL REGULATOR SUPPORT
7	7816009	SCREW TCEI M4X10
8	7663581	CONNECTING CABLE
9	7434020	THERMOSTAT TERMOPID 110V
9	7434021	THERMOSTAT TERMOPID 230/240V
10	7612511	CLAMP 3 CONTACTS
11	7614007	CABLE-PRESS PG13,5
12	7614006	NUT PG13,5
13	7555001	CABLE WITH SCHUKO PLUG
13	7551001	CABLE WITH USA PLUG 125V 15A
13	7551003	CABLE WITH USA PLUG 250V 20A
13	7552001	CABLE WITH AUSTRALIAN PLUG
13	7554001	CABLE WITH ENGLISH PLUG
13	7555003	CABLE WITH SWITZERLAND PLUG
14	5053026LW	COVER
15	5191511	SPACER
16	5522076	TERMOPID PLATE
17	5191510	SPACER
18	7665529	DISPLAY
19	7372507	SWTCH PROTECTION PLASTIC
20	7633626	RED LED
21	7633326	BIPOLAR SWITCH LEVER
22	5660523	MEMBRANE
23	7636603	STRIP-LINE 7 POLES

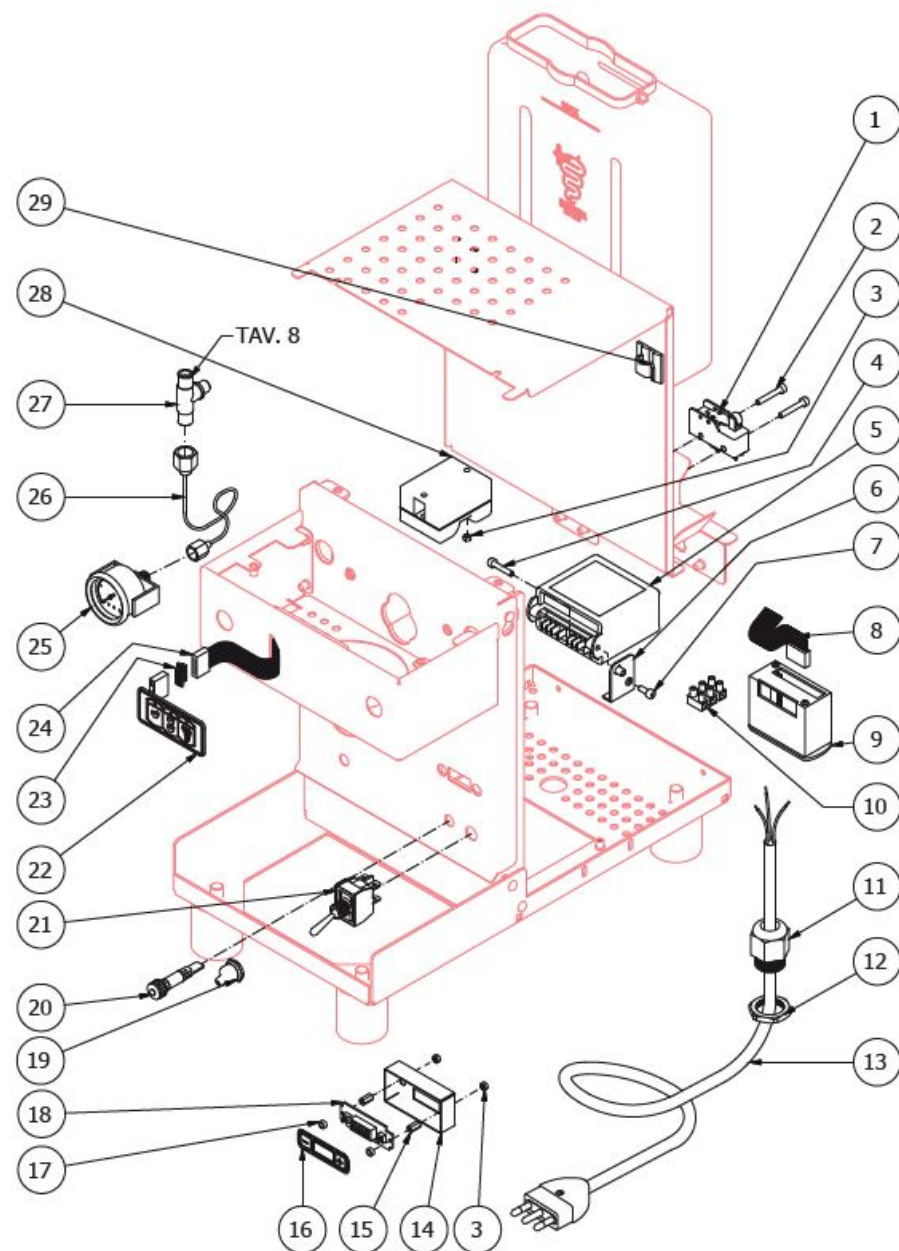
TABLE 7A - (up to 23/01/2019)
BZ13 Mod. DE

TABLE 7A - (up to 23/01/2019)
BZ13 Mod. DE

POS	CODE	DESCRIPTION
24	7663580.01	CONNECTING CABLE MEMBRANE
25	7432523	PRESSURE GAUGE D40 16BAR
26	7400901	PRESSURE GAUGE CAPILLARY
27	5300513TR	UNION
28	7635424.01	RELAY
29	7611517	CLAMP

TABLE 7A - (up to 23/01/2019)
BZ13 Mod. DE

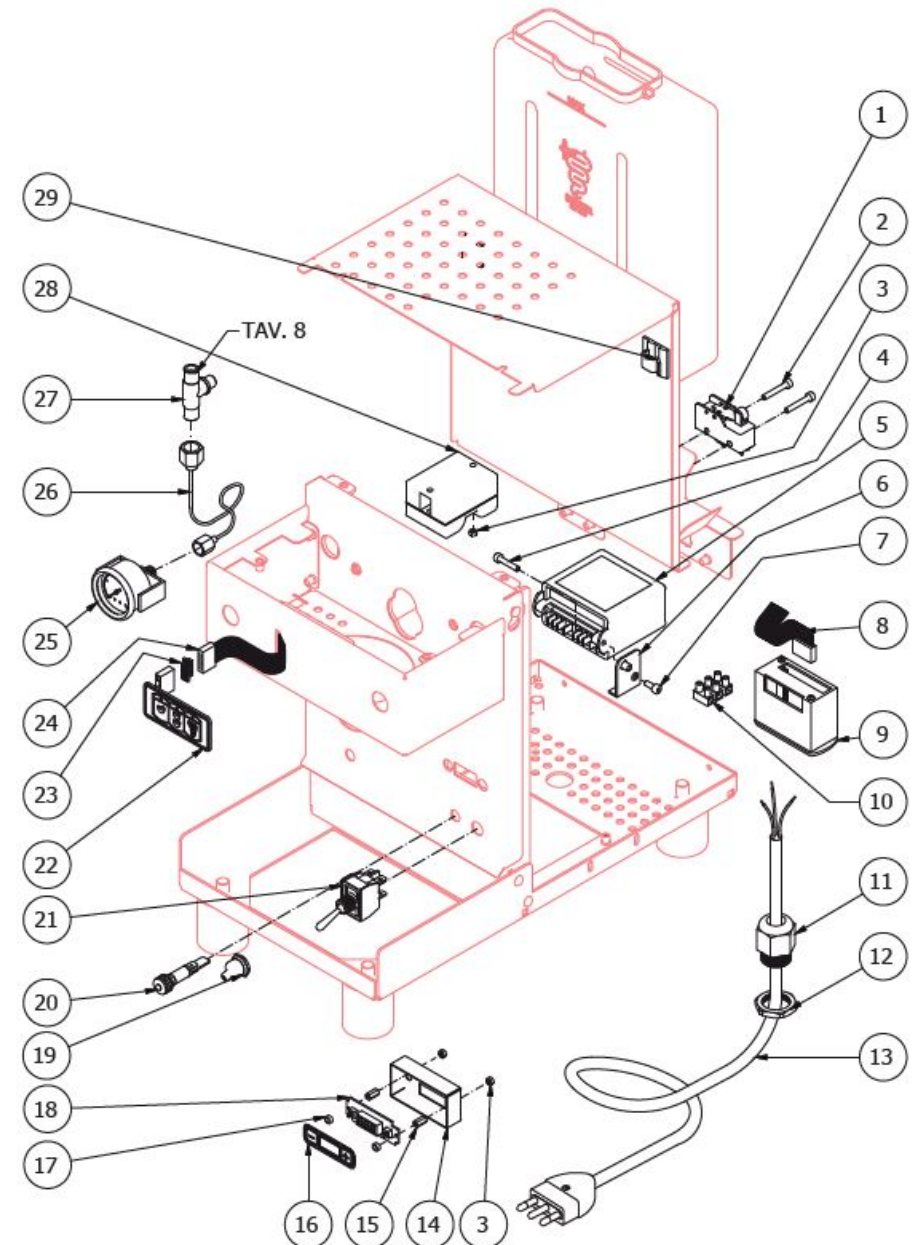


TABLE 7 - (from 17/10/2019)
BZ13 Mod. PM

POS	CODE	DESCRIPTION
1	7400911	BOILER CAPILL.
2	7816005	SCREW TCEI M4X20 UNI 5931 A2
3	7661007R	LEVEL REGULATOR 220/240V 50/60HZ
3	7661006R	LEVEL REGULATOR 100/120V 50/60HZ
4	7611517	CLAMP
5	7633907	MICROSWITCH G31 L
6	7819911	SCREW TTEI M4X25 INOX
7	5058433LL	LEVEL REGULATOR SUPPORT
8	7816009	SCREW TCEI M4X10 UNI 5931A2
9	7635418	RELAY FINDER 110V 16A
9	7635419	RELAY 16A 220/230V
9	7635420	RELAIS FINDER 240V 16A 8 PINS
10	7663012R	FILTER RC 0,22MF 100 0HM UL
12	7614007	FAIRLEAD WITH HOLE RUBBER
13	7614006	NUT PG13.5
14	7551001	ELECTRIC CABLE WITH USA PLUG L=1.5M
14	7663581	CONNECTING CABLE
14	7554001	ELECTRIC CABLE WITH ENGLISH PLUG
14	7555001	ELECTRIC CABLE WITH SHUKO PLUG
14	7552001	ELECTRIC CABLE WITH AUSTRALIAN PLUG
14	7553001	CABLE ISRAELE PLUG H05VV-F 3G1.5M
15	7633624	GREEN LAMP
16	7633625	ORANGE LAMP
17	7372507	PROTECTION WITH NICKEL NUT IU0598
18	7633326	BIPOLAR SWITCH LEVER
19	7633338	BIPOLAR SWITCH CHROMED/BLACK FOR
20	7432524	PRESSURE GAUGE D60 DOUBLE SCALE 1/8
21	7400903	BOILER PRESSURE GAUGE CAPILLARY
22	5300513TR	UNION
23	7304514TR	CONNECTOR TEE BRASS LEAD FREE

TABLE 7 - (from 17/10/2019)
BZ13 Mod. PM

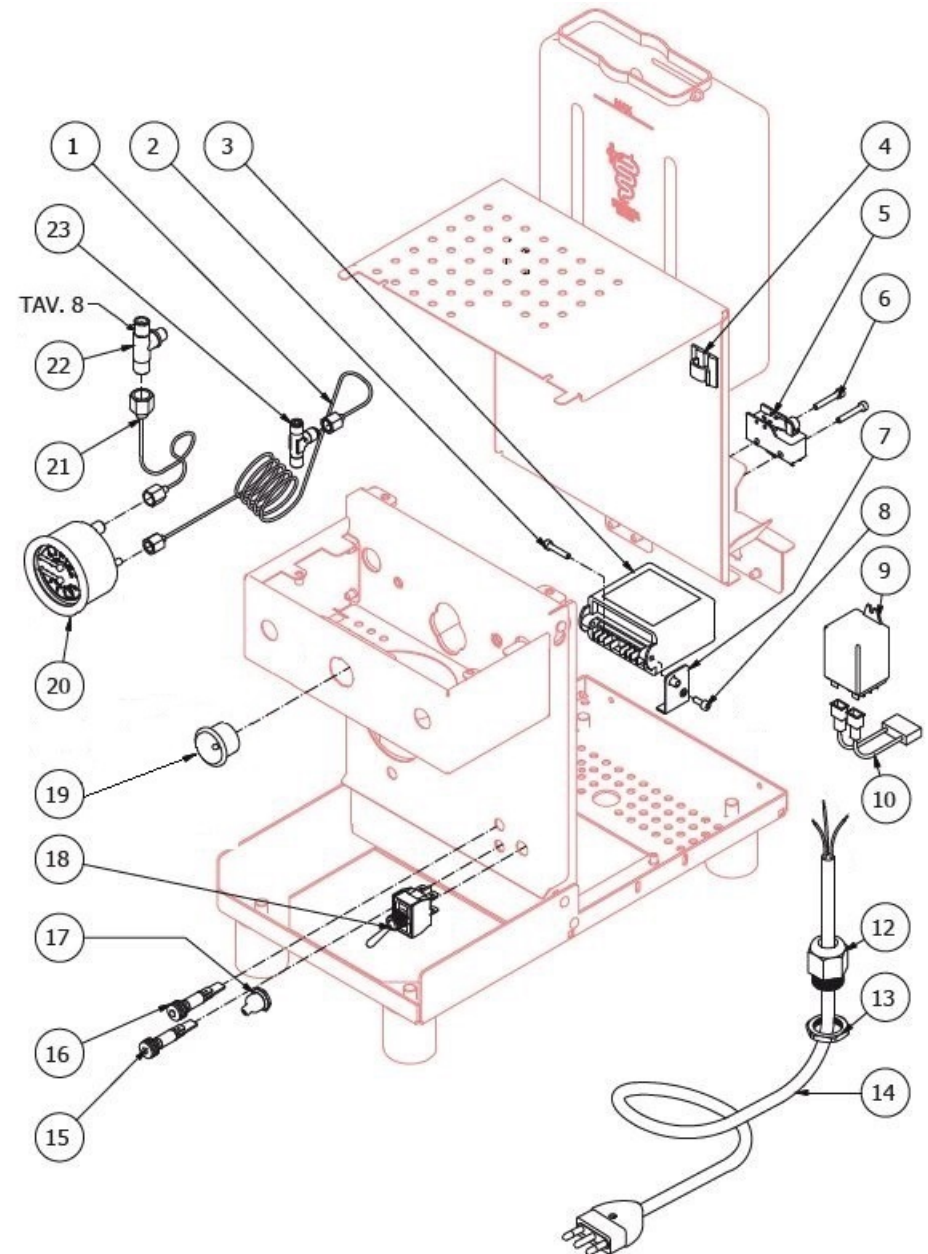


TABLE 7A - (from 24/01/2019)
BZ13 Mod. DE Pid

POS	CODE	DESCRIPTION
1	7633907	MICROSWITCH G31 L
2	7819911	SCREW TTEI M4X25 INOX
3	7822602	NUT M3 OT
4	7816005	SCREW TCEI M4X20 UNI 5931 A2
5	7662671.02PR	ELECTRONIC DOSAGE 1GR 3S 220/240V
5	7662650.03PR	ELECTRONIC DOSAGE 1GR 3S 115V
6	5058433LL	LEVEL REGULATOR SUPPORT
7	7816009	SCREW TCEI M4X10 UNI 5931A2
8	7663581	CONNECTING CABLE
9	7434020	THERMOSTAT TERMOPID 110V
9	7434021	THERMOSTAT TERMOPID 230/240V
10	7816016	SCREW TCEI M3X6
11	7614007	FAIRLEAD WITH HOLE RUBBER
12	7614006	NUT PG13.5
13	7551001	ELECTRIC CABLE WITH USA PLUG L=1.5M
13	7663581	CONNECTING CABLE
13	7554001	ELECTRIC CABLE WITH ENGLISH PLUG
13	7555001	ELECTRIC CABLE WITH SHUKO PLUG
13	7552001	ELECTRIC CABLE WITH AUSTRALIAN PLUG
13	7553001	CABLE ISRAELE PLUG H05VV-F 3G1.5M
14	5053026LW	COVER
15	5191511	SPACER
16	5522076	TERMOPID PLATE
17	5191510	SPACER
18	7665529	DISPLAY PID
19	7372507	PROTECTION WITH NICKEL NUT IU0598
20	7633626	RED LED
21	7633326	BIPOLAR SWITCH LEVER
22	5660523	MEMBRANE
23	7636603	STRIP-LINE 7 POLES

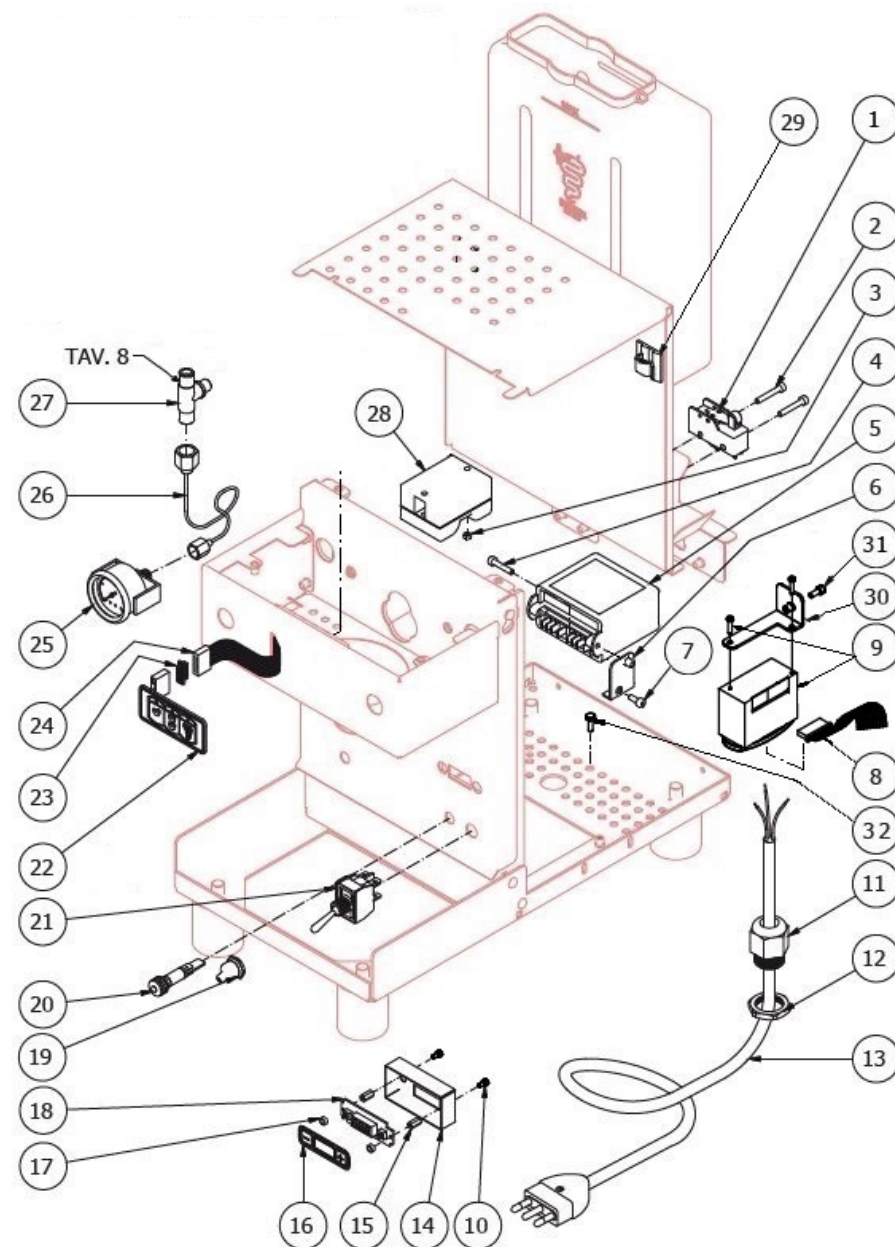
TABLE 7A - (from 24/01/2019)
BZ13 Mod. DE Pid

TABLE 7A - (from 24/01/2019)
BZ13 Mod. DE Pid

POS	CODE	DESCRIPTION
24	7663580.01	CABLE CONNECTION L = 800MM KEYS1-3-5
25	7432523	PRESSURE GAUGE D40 16BAR NEUTRAL
26	7400903	BOILER PRESSURE GAUGE CAPILLARY
27	5300513TR	UNION
28	7635424.01	RELAIS SSR FOR T.PID
29	7611517	CLAMP
30	5018468LL	PID SUPPORT W/COMPASSES
31	7819901	SCREW TTEI M4X12 ISO 7380 A2 INOX
32	7826401	SCREW TE M4X12 UNI5739 OT

TABLE 7A - (from 24/01/2019)
BZ13 Mod. DE Pid

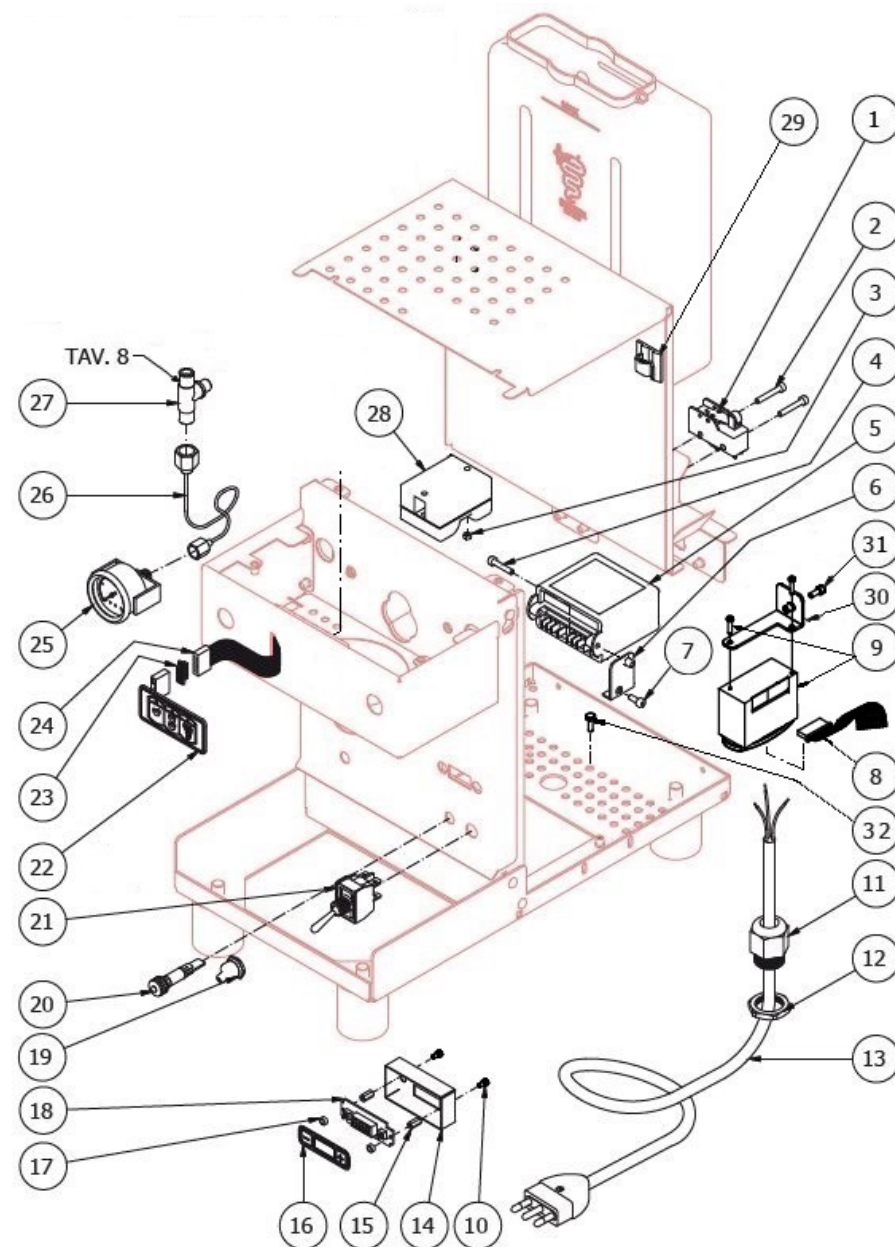


TABLE 7 - (up to 16/10/2019)
BZ13 Mod. PM

POS	CODE	DESCRIPTION
1	7400902	BOILER-MANOMETER CAPILLARY
2	7816005	SCREW TCEI M4X20
3	7661037PR	LEVEL REGULATOR 1S 110V
3	7661036.01PR	LEVEL REGULATOR 1S 220/240V
4	7611517	CLAMP
5	7633907	MICROSWITCH
6	7819911	SCREW TTEI M4X25
7	5058433LL	LEVEL REGULATOR SUPPORT
8	7816009	SCREW TCEI M4X10
9	7635418	RELAY 16A 110V
9	7635419	RELAY 16A 220/230V
9	7635420	RELAY 16A 240V
10	7663005R	FILTER RC
11	7612511	CLAMP 3 CONTACTS
12	7614007	CABLE-PRESS PG13,5
13	7614006	NUT PG13,5
14	7555001	CABLE WITH SCHUKO PLUG
14	7551001	CABLE WITH USA PLUG 125V 15A
14	7551003	CABLE WITH USA PLUG 250V 20A
14	7552001	CABLE WITH AUSTRALIAN PLUG
14	7554001	CABLE WITH ENGLISH PLUG
14	7555003	CABLE WITH SWITZERLAND PLUG
15	7633624	GREEN LAMP
16	7633625	ORANGE LAMP
17	7372507	SWTCH PROTECTION PLASTIC
18	7633326	BIPOLAR SWITCH LEVER
19	7633338	SWITCH
20	7432524	PRESSURE GAUGE D60 DOUBLE SCALE
21	7400901	PRESSURE GAUGE CAPILLARY
22	5300513TR	UNION

TABLE 7 - (up to 16/10/2019)
BZ13 Mod. PM

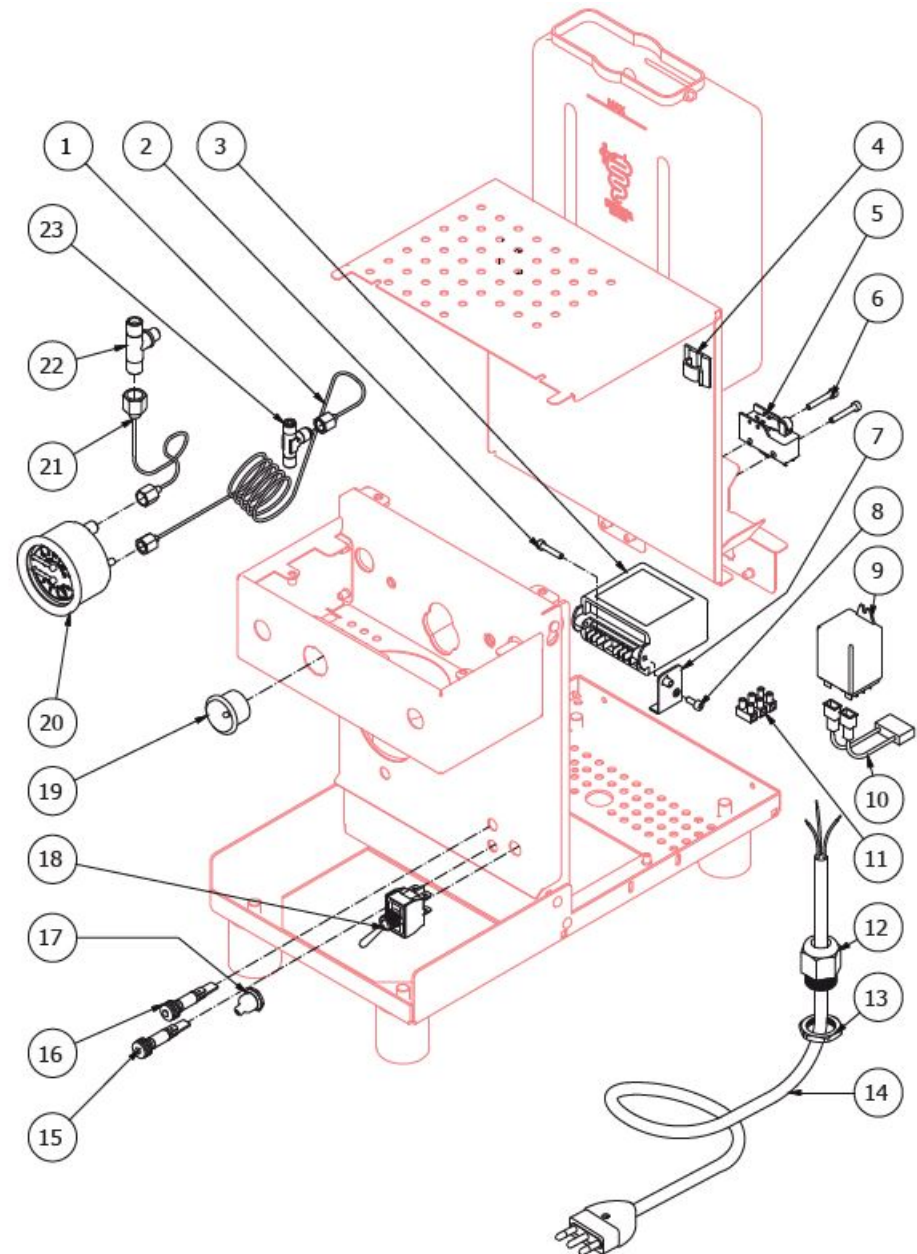


TABLE 7 - (up to 16/10/2019)
BZ13 Mod. PM

POS	CODE	DESCRIPTION
23	7304514TR	FITTING

TABLE 7 - (up to 16/10/2019)
BZ13 Mod. PM

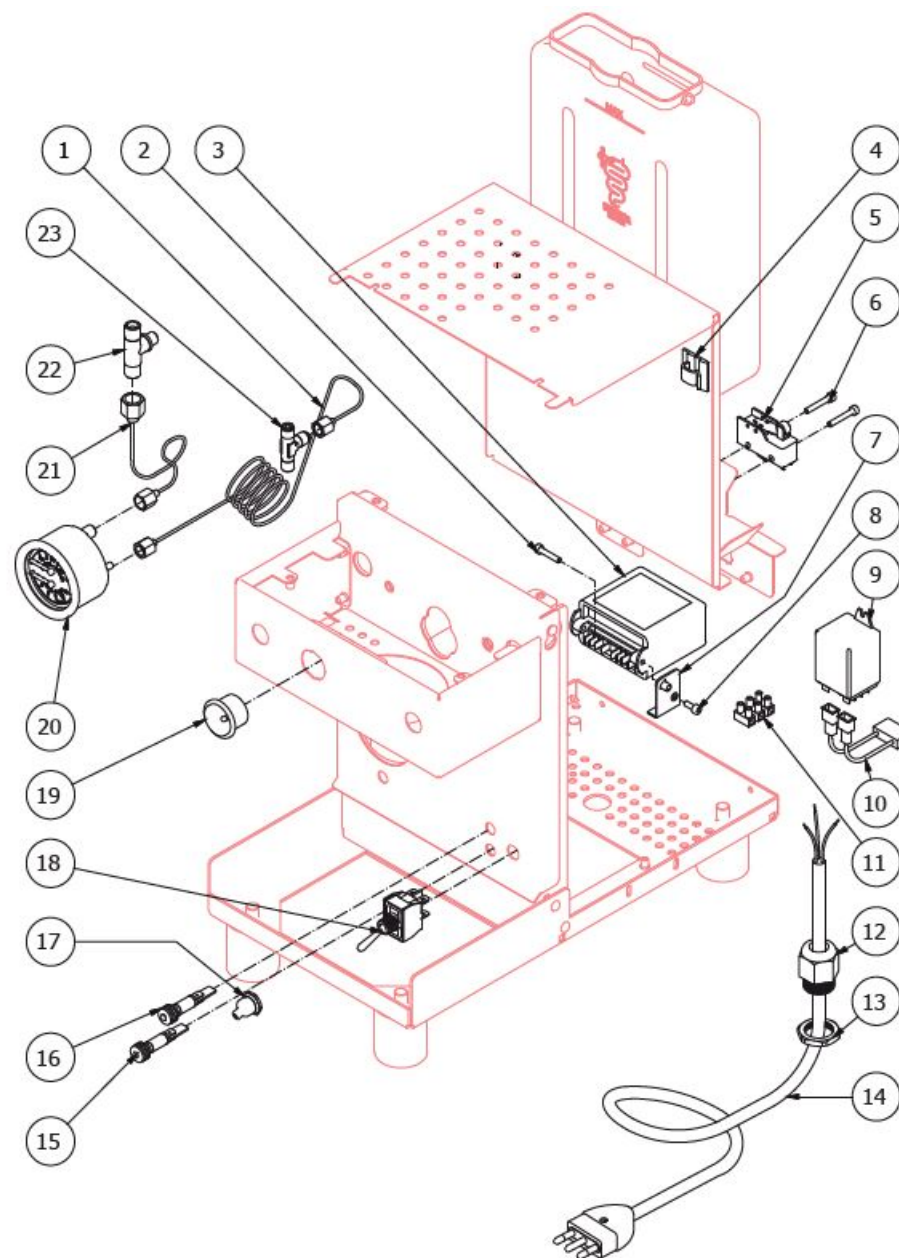


TABLE 7B - (from 29/01/2019)
BZ13 Mod. PM Pid

POS	CODE	DESCRIPTION
1	7633907	MICROSWITCH G31 L
2	7819911	SCREW TTEI M4X25 INOX
3	7822602	NUT M3 OT
4	7816005	SCREW TCEI M4X20 UNI 5931 A2
5	7661006R	LEVEL REGULATOR 100/120V 50/60HZ
5	7661007R	LEVEL REGULATOR 220/240V 50/60HZ
6	5058433LL	LEVEL REGULATOR SUPPORT
7	7816009	SCREW TCEI M4X10 UNI 5931A2
8	7663581	CONNECTING CABLE
9	7434020	THERMOSTAT TERMOPID 110V
9	7434021	THERMOSTAT TERMOPID 230/240V
10	7816016	SCREW TCEI M3X6
11	7614007	FAIRLEAD WITH HOLE RUBBER
12	7614006	NUT PG13.5
13	7551001	ELECTRIC CABLE WITH USA PLUG L=1.5M
13	7663581	CONNECTING CABLE
13	7554001	ELECTRIC CABLE WITH ENGLISH PLUG
13	7555001	ELECTRIC CABLE WITH SHUKO PLUG
13	7552001	ELECTRIC CABLE WITH AUSTRALIAN PLUG
13	7553001	CABLE ISRAELE PLUG H05VV-F 3G1.5M
14	5053026LW	COVER
15	5191511	SPACER
16	5522076	TERMOPID PLATE
17	5191510	SPACER
18	7665529	DISPLAY PID
19	7372507	PROTECTION WITH NICKEL NUT IU0598
20	7633626	RED LED
21	7633326	BIPOLAR SWITCH LEVER
22	7633340	BIPOLAR SWITCH CHROMED BZ 13
25	7432523	PRESSURE GAUGE D40 16BAR NEUTRAL

TABLE 7B - (from 29/01/2019)
BZ13 Mod. PM Pid

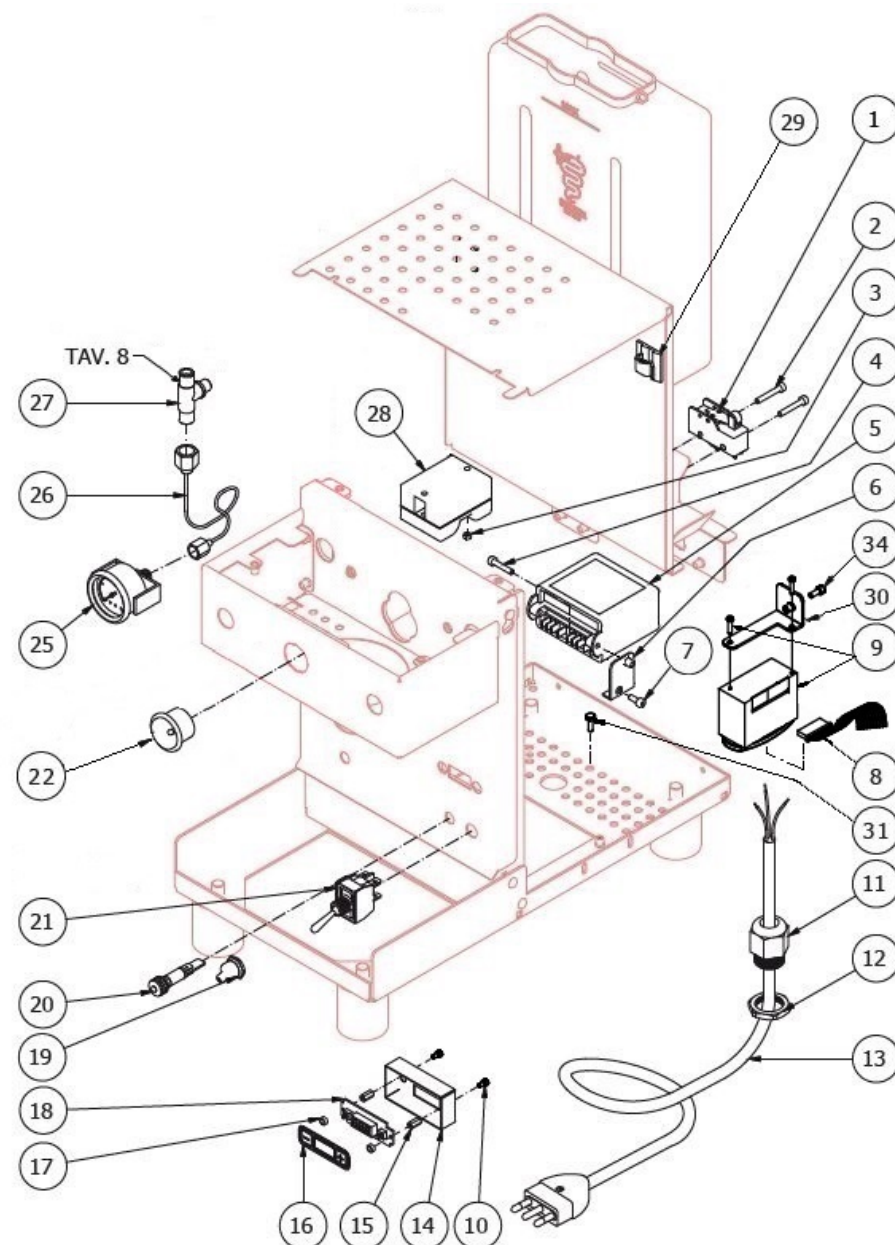


TABLE 7B - (from 29/01/2019)
BZ13 Mod. PM Pid

POS	CODE	DESCRIPTION
26	7400903	BOILER PRESSURE GAUGE CAPILLARY
27	5300513TR	UNION
28	7635424.01	RELAIS SSR FOR T.PID
29	7611517	CLAMP
30	5018468LL	PID SUPPORT W/COMPASSES
31	7826401	SCREW TE M4X12 UNI5739 OT
34	7819901	SCREW TTEI M4X12 ISO 7380 A2 INOX

TABLE 7B - (from 29/01/2019)
BZ13 Mod. PM Pid

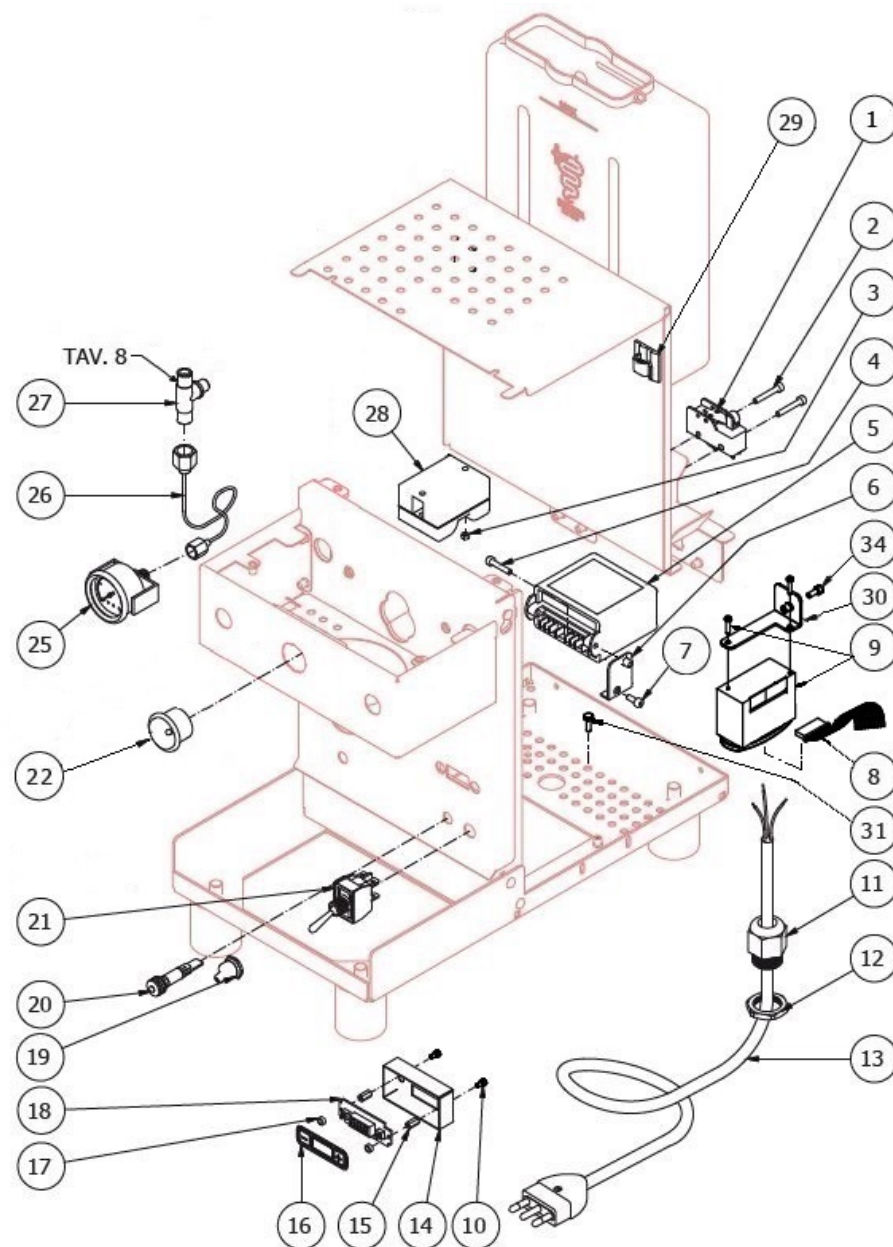


TABLE 8 - (up to 02/12/2019)
BZ13

POS	CODE	DESCRIPTION
1	5162185LL	EXCHANGER-GROUP SOLENOID VALVE HOSE
2	5223005TP	JET M6 X 6 HOLE D1.2 OT
3	5162361LL	HOSE FOR SOLENOID VALVE OF GROUP
4	5301504TR	UNION ELBOW 1/8"
5	7701112	SOLENOID VALVE 3 WAY 115V PARKER
5	7702311	SOLENOID VALVE 3 WAY 230V PARKER
5	7702410	SOLENOID VALVE 3 WAY 240V PARKER
6	7703014	SOLENOID VALVE WITHOUT COIL PARKER
7	7630332	SOLENOID VALVE COIL 115V PARKER
7	7630331	SOLENOID VALVE COIL 230V PARKER
7	7630330	SOLENOID VALVE COIL 240V PARKER
8	5300513TR	UNION
9	5370313	RUBBER-HOLDER
10	5194559LL	SURPRESSION VALVE HOSE
11	5221844	NUT 1/8"
12	7815001	WASHER D10 UNI 6592 A2
13	5283018CM	DRAIN FITTING FOR SURPRESSION VALVE 1/8•G CHROMED

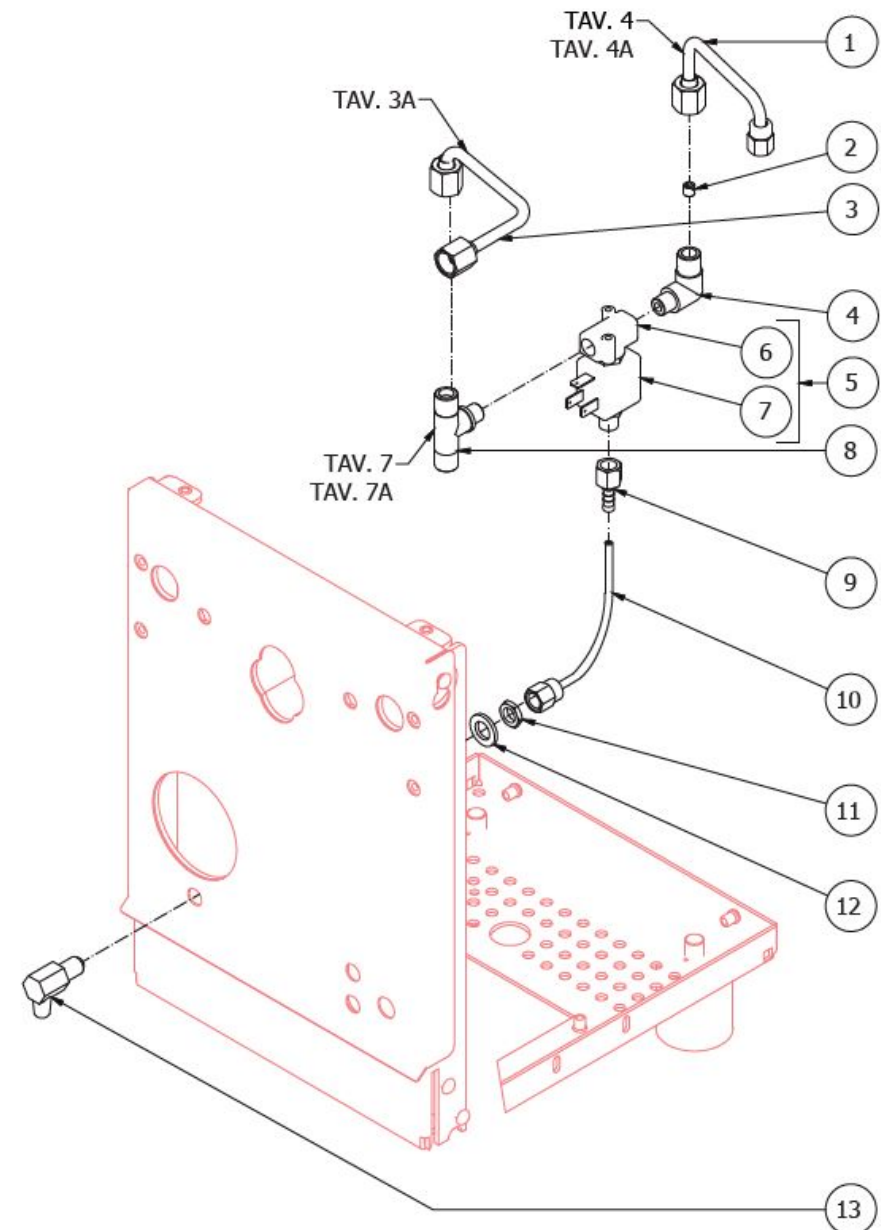
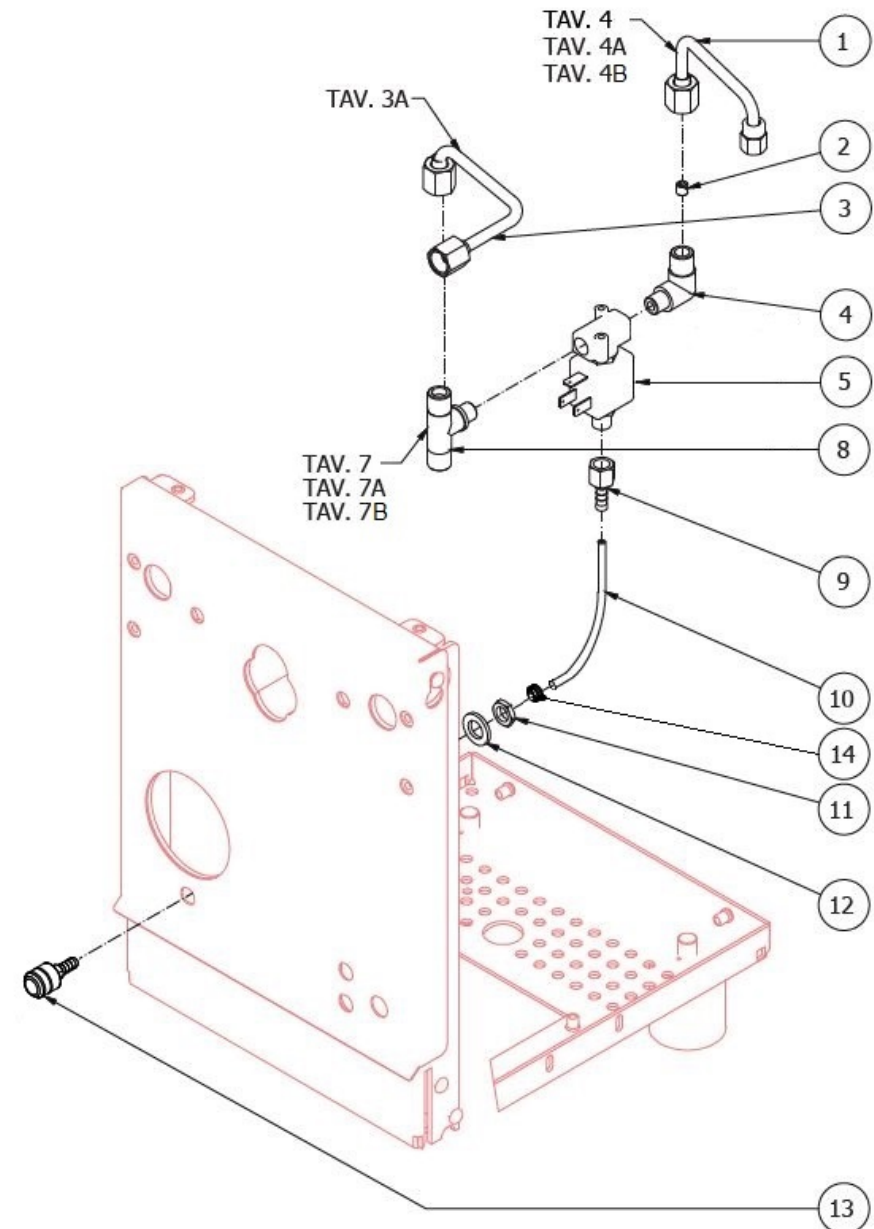
TABLE 8 - (up to 02/12/2019)
BZ13

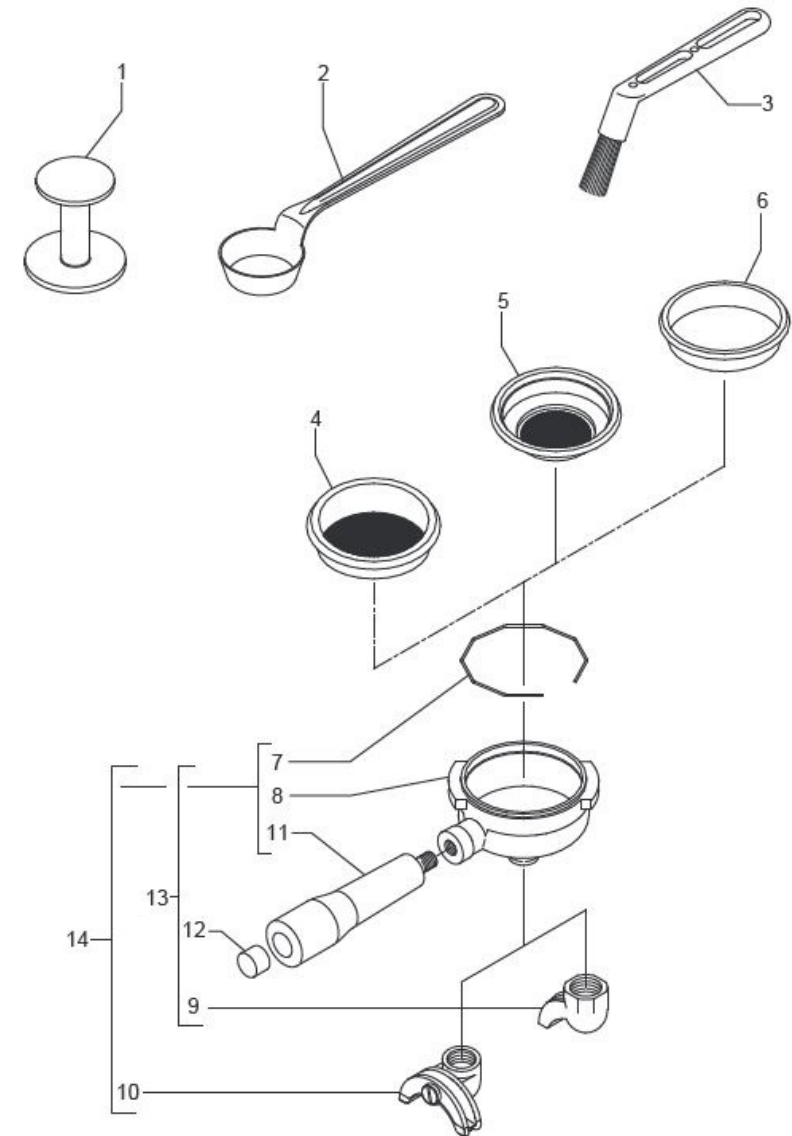
TABLE 8 - (from 03/12/2019)
BZ13

POS	CODE	DESCRIPTION
1	5162185.02LL	EXCHANGER TUBE/EV.GROUP
2	5223005TP	JET M6 X 6 HOLE D1.2 OT
3	5162361LL	HOSE FOR SOLENOID VALVE OF GROUP
4	5301504AL	ELBOW FITTING M12X1/8
5	7702416R	SOLENOID VALVE 3 WAY SIRAI 110/120V 50/60HZ
5	7702417R	EV.3 WAYS SIRAI 208/240V 50/60HZ(R)
8	5300513TR	UNION
9	5370313	GROUP E.VALVE DRAIN RUBBER HOLDER
10	5194564	SILICON PIPE 8X5X90
11	5221844	NUT 1/8
12	7815001	WASHER D10 UNI 6592 A2
13	5283061	DRAIN FITTING 1/8
14	7611512	CLAMP

TABLE 8 - (from 03/12/2019)
BZ13

BEZZERA**BZ13**TABLE 9 - (up to 28/01/2019)
BZ13

POS	CODE	DESCRIPTION
1	5373001	COFFEE-PRESS
2	5372101	MEASURER
3	7990603	CLEANING BRUSH
4	5471035	FILTER 2 CUPS 16 GRAMS AISI 304 WITH RUN CHANNEL
4	5471021.01	FILTER 2 CUPS 12 GRAMS AISI 304 WITH RUN CHANNEL
5	5471031.01	FILTER 1 CUP 8 GRAMS WITH RUN CHANNEL
6	5471003	BLIND FILTER
7	5471527	FILTER-HOLDER SPRING D1.2 AISI 302
8	5286016TW	FILTER-HOLDER
9	7288505TW	SPOUT 1 WAY SHORT
10	7288501TW	SPOUT 2 WAY SHORT
11	7371502	KNOB POLISHED
12	5373915CM	KNOB CHROME CAP
13	5965603R	ASSEMBLY FILTER-HOLDER 1 CUP
14	5965604R	ASSEMBLY FILTER-HOLDER 2 CUPS

BEZZERA**BZ13**TABLE 9 - (up to 28/01/2019)
BZ13

BEZZERA

BZ13

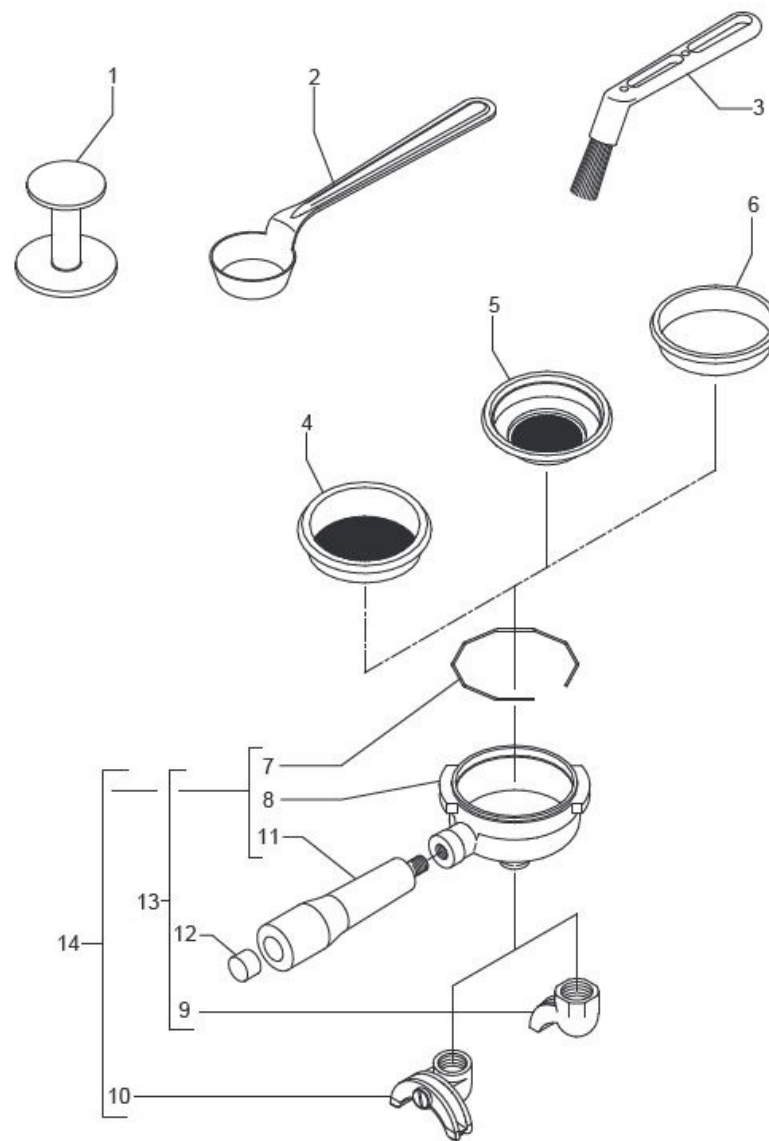
TABLE 9 - (from 29/01/2019)
BZ13

POS	CODE	DESCRIPTION
1	5373001	COFFEE-PRESS ABS
2	5372101	BLACK MEASURE
3	7990603	CLEANING BRUSH FOR COFFEE MACHINE
4	5471035	FILTER 2 CUPS 20 GRAMS
5	5471031.01	FILTER 1 CUP 10 GRAMS
6	5471038	BLIND FILTER AISI304
7	5471527	FILTER-HOLDER SPRING D1.2 AISI 302
8	5286016TW	FILTERHOLDER TILTED HANDLE BZ GROUP
9	7288505TW	SPOUT 1 WAY SHORT
10	7288501TW	SPOUT 2 WAY SHORT
11	7371502	FILTER-HOLDER KNOB
12	5373915CM	FILTER-HOLDER PLUG D16.5
13	5965603.01R	ASSY FILTER-HOLDER INCL.1TZ BZ
14	5965604.01R	FILTER-HOLDER COMPLETE 2 CUPS BZ GROUP WITHOUT LOGO

BEZZERA

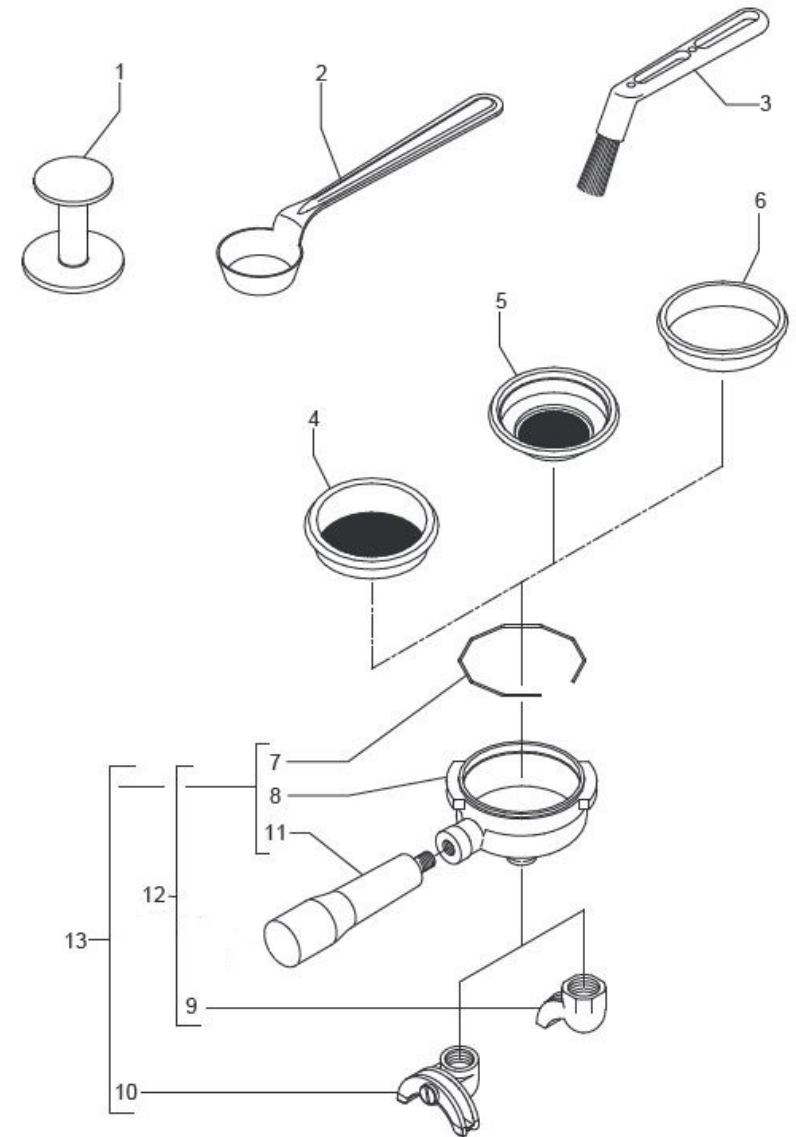
BZ13

TABLE 9 - (from 29/01/2019)
BZ13



BEZZERA**BZ13**TABLE 9A - (from 29/01/2019)
BZ13

POS	CODE	DESCRIPTION
1	5373001	COFFEE-PRESS ABS
2	5372101	BLACK MEASURE
3	7990603	CLEANING BRUSH FOR COFFEE MACHINE
4	5471035	FILTER 2 CUPS 20 GRAMS
5	5471031.01	FILTER 1 CUP 10 GRAMS
6	5471038	BLIND FILTER AISI304
7	5471527	FILTER-HOLDER SPRING D1.2 AISI 302
8	5286016TW	FILTERHOLDER TILTED HANDLE BZ GROUP
9	7288505TW	SPOUT 1 WAY SHORT
10	7288501TW	SPOUT 2 WAY SHORT
11	7371520	WOODEN FILTER-HOLDER HANDLE
12	5965648R	ASSY FILTER-HOLDER BZ GROUP 1CUP, SHORT SPOUT, WOODEN
13	5965640R	ASSY FILTER-HOLDER BZ GROUP 2CUPS, SHORT SPOUT, WOODEN

BEZZERA**BZ13**TABLE 9A - (from 29/01/2019)
BZ13



G. BEZZERA S.R.L.
MACCHINE PER CAFFE' ESPRESSO
Via Luigi Bezzera, 1
20088 Rosate - Milano - Italy
Tel. ++39 02 90848102 r.a. - Telefax ++39 02 90870287
Web: www.bezzera.com
e-mail: admin@bezzera.it