

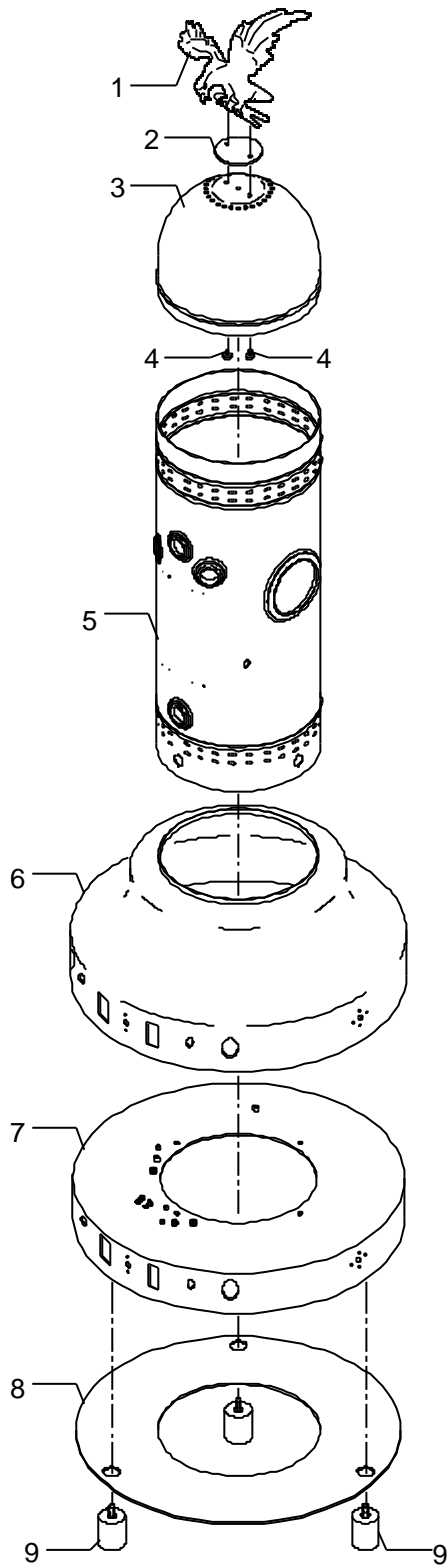


VERTICALE





POS	DESCRIPTION	CODE	REFERENCE
1	GOLD EAGLE HOLES M6	7991001	VTE 1
2	EAGLE FIXING FLANGE CHROMED	5227205CM	VTE 2CM
2	EAGLE FIXING FLANGE LACQUER	5227205ZP	VTE 2ZP
3	DOME OT CHROMED	5121201CM	VTE 3CM
3	DOME OT LACQUER	5121201ZP	VTE 3ZP
4	SCREW TP M6X12 OT	5227009	X 2205
5	BODY OT CHROMED	5121706CM	VTE 5CM
5	BODY OT LACQUER	5121706ZP	VTE 5ZP
6	BASEMENT MOD. DE CHROMED	5120903CM	-
6	BASEMENT MOD. DE LACQUER	5120903ZP	-
6	BASEMENT MOD. PM CHROMED	5120901CM	VTE 34CM
6	BASEMENT MOD. PM LACQUER	5120901ZP	VTE 34ZP
6	BASEMENT MOD. TP CHROMED	5120902CM	-
6	BASEMENT MOD. TP LACQUER	5120902ZP	-
7	BLACK CHASSIS BASEMENT PM-TE	5342005LL	-
7	BLACK CHASSIS BASEMENT DE	5342009LL	-
8	PROTECTION	5033901	-
9	FEET D40X50 M8X18.5 RUBBER	7474201	J 385

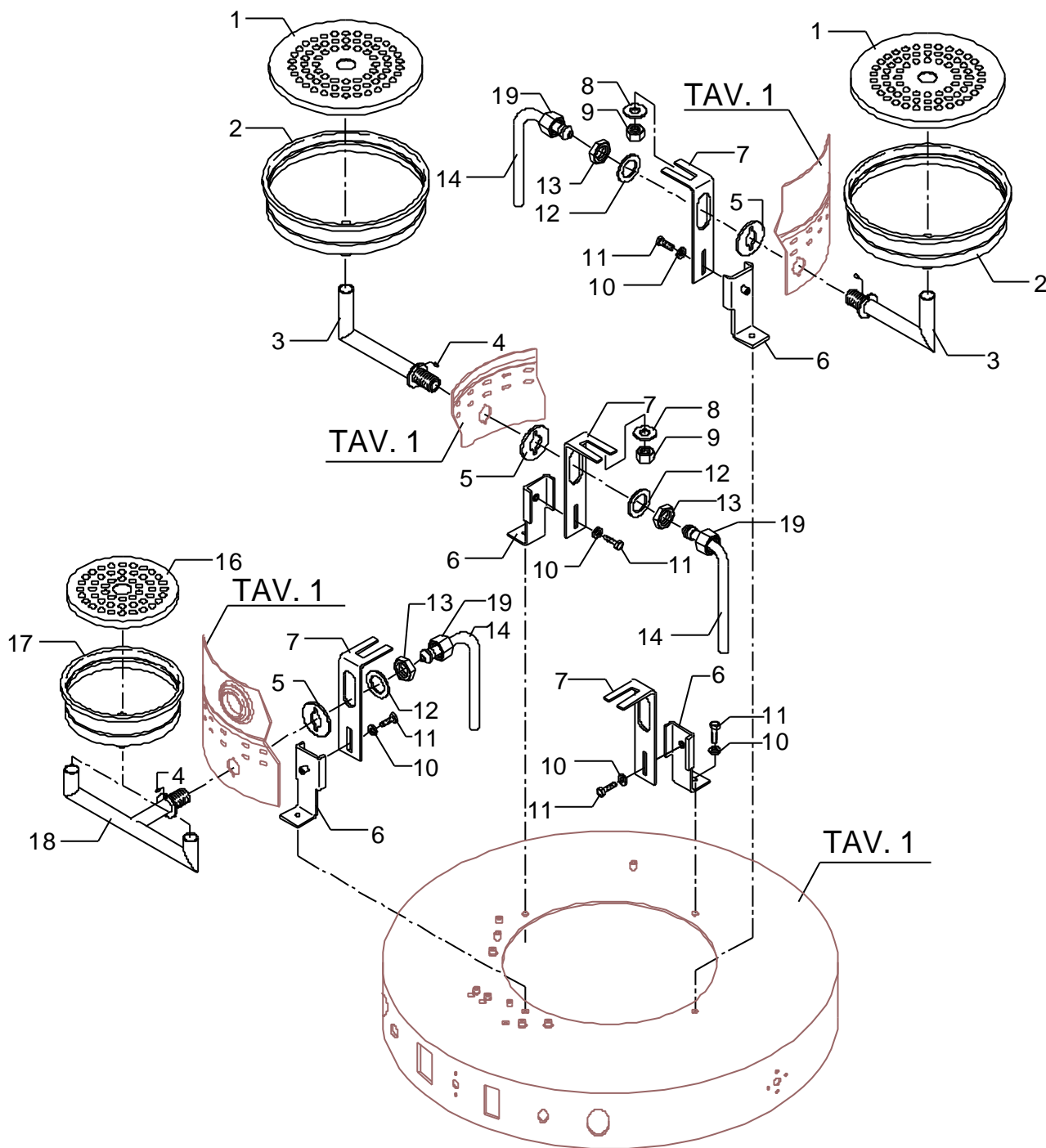




POS	DESCRIPTION	CODE	REFERENCE
1	GRID D120.5 BIG CUP OT CHROMED	5124502CM	VTE 28
2	BIG CUP OT CHROMED	5342004CM	VTE 12CM
3	BIG CUP SUPPORT OT CHROMED	5342001CM	VTE 14CM
3	BIG CUP SUPPORT OT LACQUER	5342001ZP	VTE 14ZP
4	DOWEL M3 X 5 UNI 5923 A2	7813006	-
5	CUPS SUPPORT THICKNESS	5057003	VRTL 16
6	BRACKET SLIDE OF BOILER SUPPORT	5018107LL	-
7	BRACKET FOR BOILER SUPPORT	5018106LW	-
8	WASHER D10 UNI 6592 A2	7815001	F 999
9	NUT M10 UNI 5587 ASTM A194	7812608	-
10	PLAIN WASHER D6 UNI 6592 FEZN	7805004	-
11	SCREW TE M5X16 UNI 5739 A2	7816412	F 1340
12	SPACER D32 H20.5 H2 OT	5222206	R/2 1376
13	NUT 3/8"	5221849	-
14	DRAIN HOSE PM	5164035LL	VTE 35
16	GRID D120.5 LITTLE CUP OT CHROMED	5124501CM	VTE 56
17	LITTLE CUP OT CHROMED	5342003CM	VTE 13CM
18	LITTLE CUP SUPPORT OT CHROMED	5342002CM	VTE 15CM
18	LITTLE CUP SUPPORT OT LACQUER	5342002ZP	VTE 15ZP
19	NUT 3/8"G	5221809	-

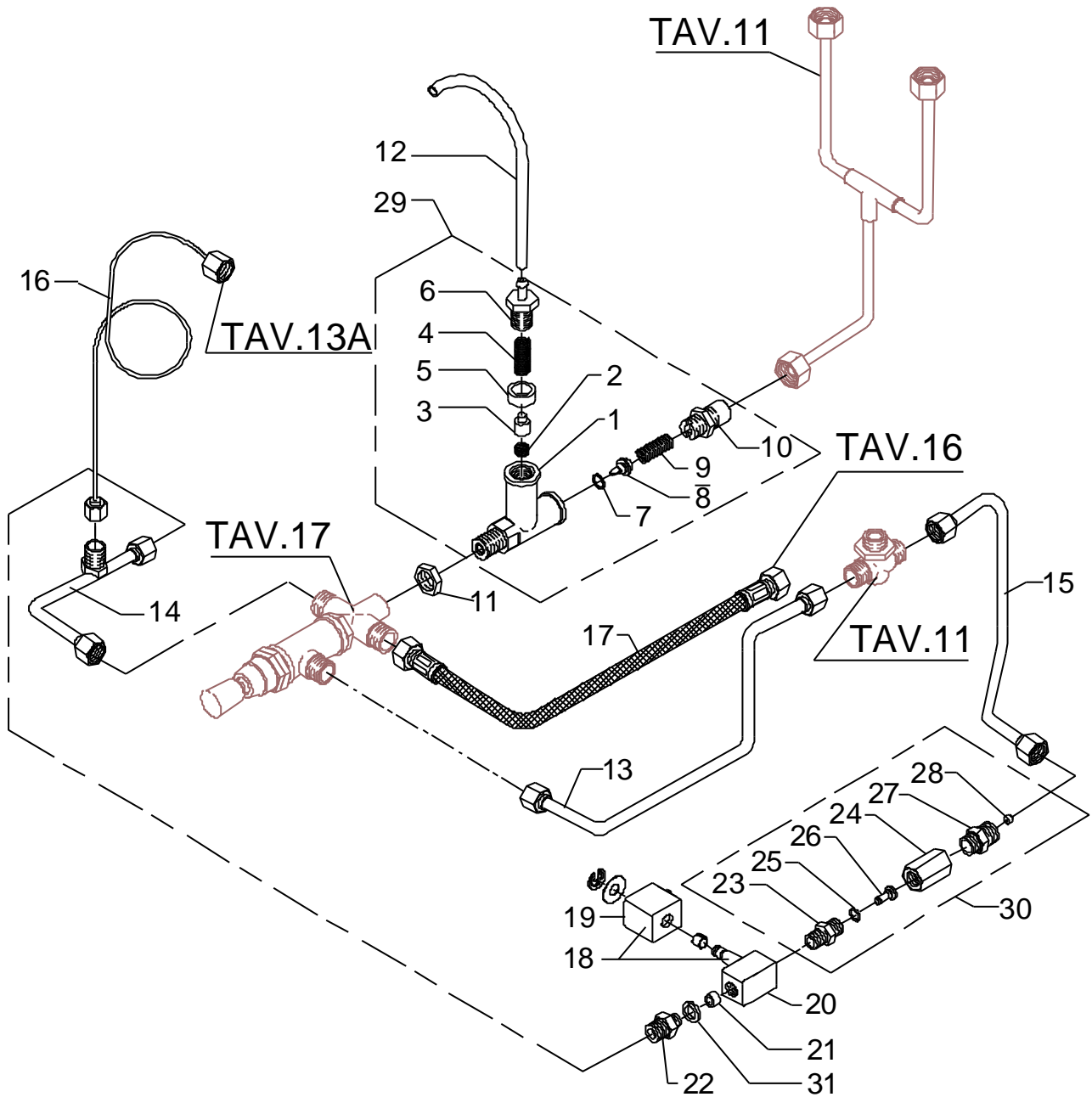
Mod. VERTICALE DE
VERTICALE PM
VERTICALE TP
VERTICALE TE

Tav. 02



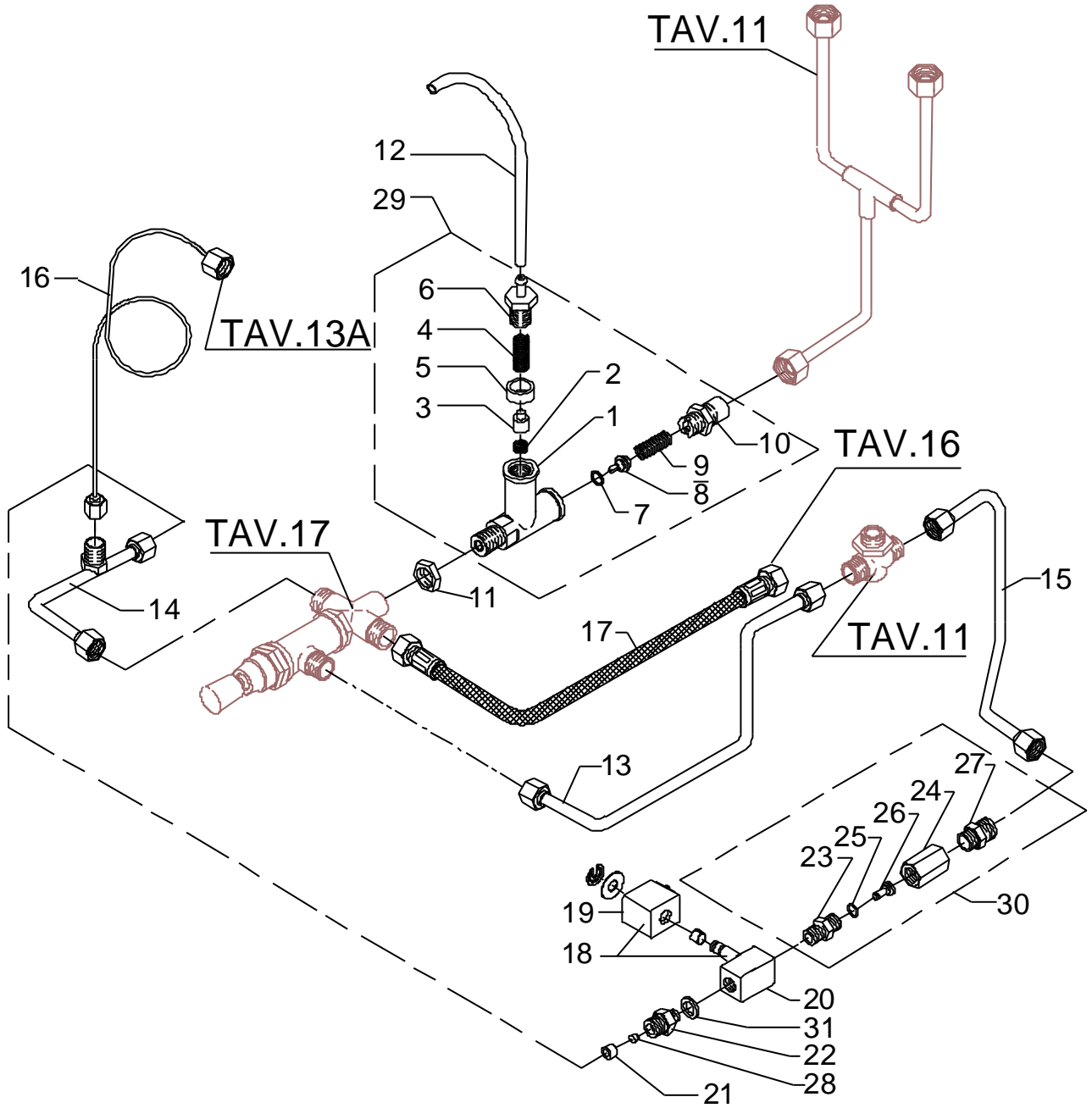


POS	DESCRIPTION	CODE	REFERENCE
1	SURPRESSION VALVE BODY	5283040	-
2	GASKET D8 X 4 EPT 70SH	5493001	-
3	GASKET-HOLDER D5.3 OT	5224609	-
4	CALIBRATED SPRING D1.2 H26 AISI 302	5471506.01	-
5	SPACER D16X12.2 H6.7 OT	5222201	-
6	RUBBER-HOLDER FITTING M12x1 OT	5302026DC	-
7	OR GASKET 105 VITON	7496018	-
8	GASKET-HOLDER SURPRESSION VALVE	5224615	-
9	CALIBRATED SPRING D0.45 H22 AISI 302	5471505	-
10	FITTING M12 X M13 ES.16 H26.5 OT	5302018	-
11	NUT 1/4"G H5 OT	5221821	-
12	HOSE Ø8X5 L=250MM SILICONE	5194554	-
13	LOAD HOSE PM	5164070LL	-
14	INLET AUTOMATIC LEVEL HOSE PM	5162267LL	-
15	OUTLET HOSE L/A DE	5162262LL	-
16	CAPILLARY 1.72X2.51X500 1/8" M12X1	7400901	-
17	FLEXIBLE HOSE 3/8"FFC L=600MM	7200507	-
18	SOLENOID VALVE 2 WAY 220/240V PARKER (FROM 09/06)	7702312	-
18	SOLENOID VALVE 2 WAY 110V PARKER (FROM 02/07)	7701114	-
19	SOLENOID VALVE COIL 220/240V PARKER	7630325	-
19	SOLENOID VALVE COIL 110V PARKER	7630324	-
20	SOLENOID VALVE WITHOUT COIL PARKER	7703011	-
21	FILTER D8,5X5 AISI304	5471019	-
22	FITTING M13X1/8"G ES.15 H23.5 OT	5302014	-
22	FITTING M13X1/8"G ES.15 H23.5 OT	5302014	-
23	FITTING SERTO 1/8"G	7304502LL	-
24	FITTING 1/8"G OT	5302015	-
25	OR GASKET D4.5 X 1.9 VITON	7496035	-
26	STUD D8.5 X 17.5 OT	5224002	-
28	JET M6 X 6 HOLE D0.8 OT	5223003	-
29	SURPRESSION VALVE WITH RUBBER-HOLDER	5965043.01	-
30	COMPLETE CHECK VALVE	5223018	-
31	WASHER D10.2X15X2.2 COPPER / ASBESTOS FREE	5221858	-





POS	DESCRIPTION	CODE	REFERENCE
1	SURPRESSION VALVE BODY	5283040	-
2	GASKET D8 X 4 EPT 70SH	5493001	-
3	GASKET-HOLDER D5.3 OT	5224609	-
4	CALIBRATED SPRING D1.2 H26 AISI 302	5471506.01	-
5	SPACER D16X12.2 H6.7 OT	5222201	-
6	RUBBER-HOLDER FITTING M12x1 OT	5302026DC	-
7	OR GASKET 105 VITON	7496018	-
8	GASKET-HOLDER SURPRESSION VALVE	5224615	-
9	CALIBRATED SPRING D0.45 H22 AISI 302	5471505	-
10	FITTING M12 X M13 ES.16 H26.5 OT	5302018	-
11	NUT 1/4"G H5 OT	5221821	-
12	HOSE Ø8X5 L=250MM SILICONE	5194554	-
13	LOAD HOSE PM	5164070LL	-
14	INLET AUTOMATIC LEVEL HOSE PM	5162267LL	-
15	OUTLET HOSE L/A DE	5162262LL	-
16	CAPILLARY 1.72X2.51X500 1/8" M12X1	7400901	-
17	FLEXIBLE HOSE 3/8"FFC L=600MM	7200507	-
18	SOLENOID VALVE 2 WAY 220/240V PARKER (FROM 09/06)	7702312	-
18	SOLENOID VALVE 2 WAY 110V PARKER (FROM 02/07)	7701114	-
19	SOLENOID VALVE COIL 220/240V PARKER	7630325	-
19	SOLENOID VALVE COIL 110V PARKER	7630324	-
20	SOLENOID VALVE WITHOUT COIL PARKER	7703011	-
21	FILTER D8,5X5 AISI304	5471019	-
22	FITTING M13X1/8"G ES.15 H23.5 OT	5225238	-
22	FITTING M13X1/8"G ES.15 H23.5 OT	5302014	-
23	FITTING SERTO 1/8"G	7304502LL	-
24	FITTING 1/8"G OT	5302015	-
25	OR GASKET D4.5 X 1.9 VITON	7496035	-
26	STUD D8.5 X 17.5 OT	5224002	-
28	JET M6 X 6 HOLE D0.8 OT	5223003	-
29	SURPRESSION VALVE WITH RUBBER-HOLDER	5965043.01	-
30	COMPLETE CHECK VALVE	5223018.01	-
31	WASHER D10.2X15X2.2 COPPER / ASBESTOS FREE	5221858	-

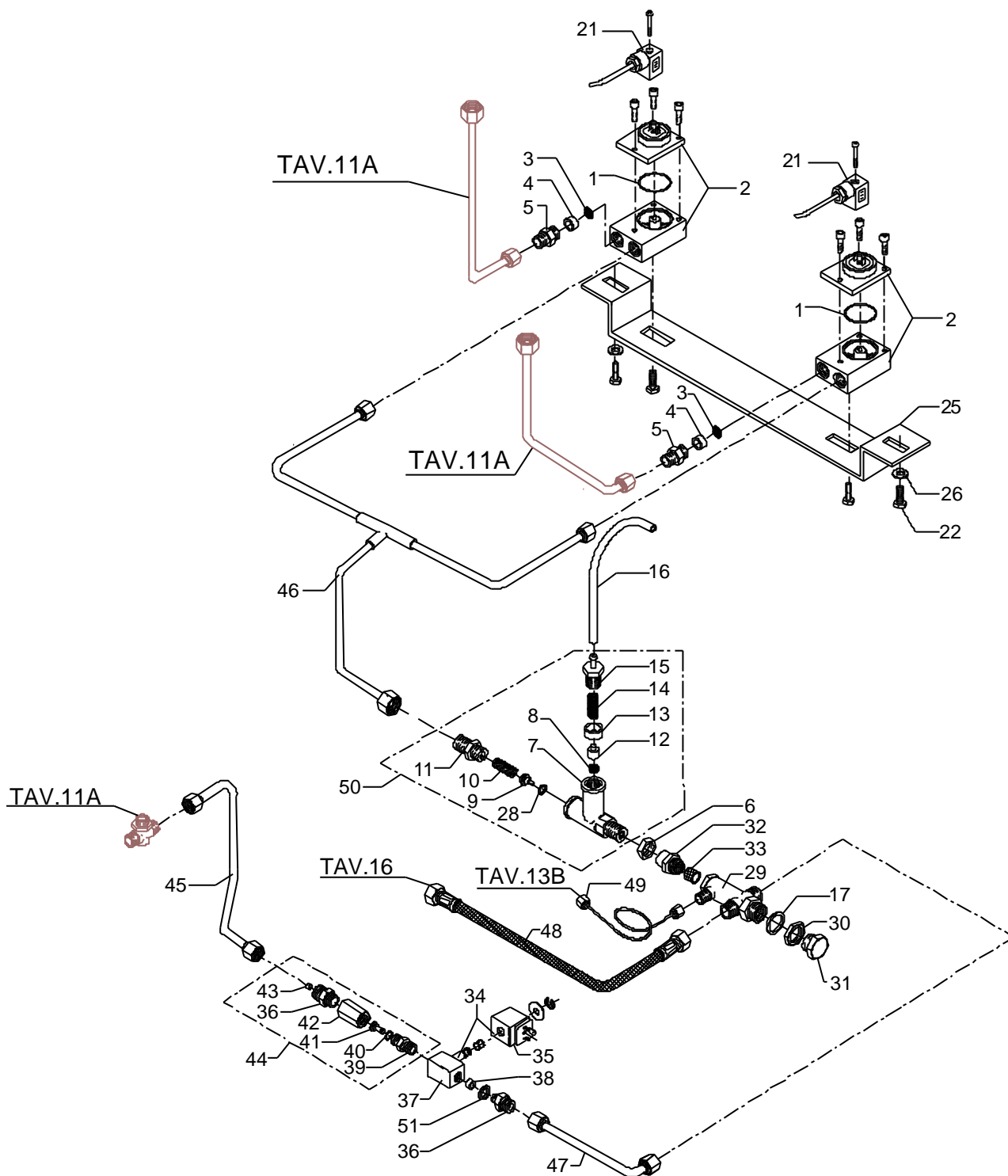




BEZZERA
dal 1901

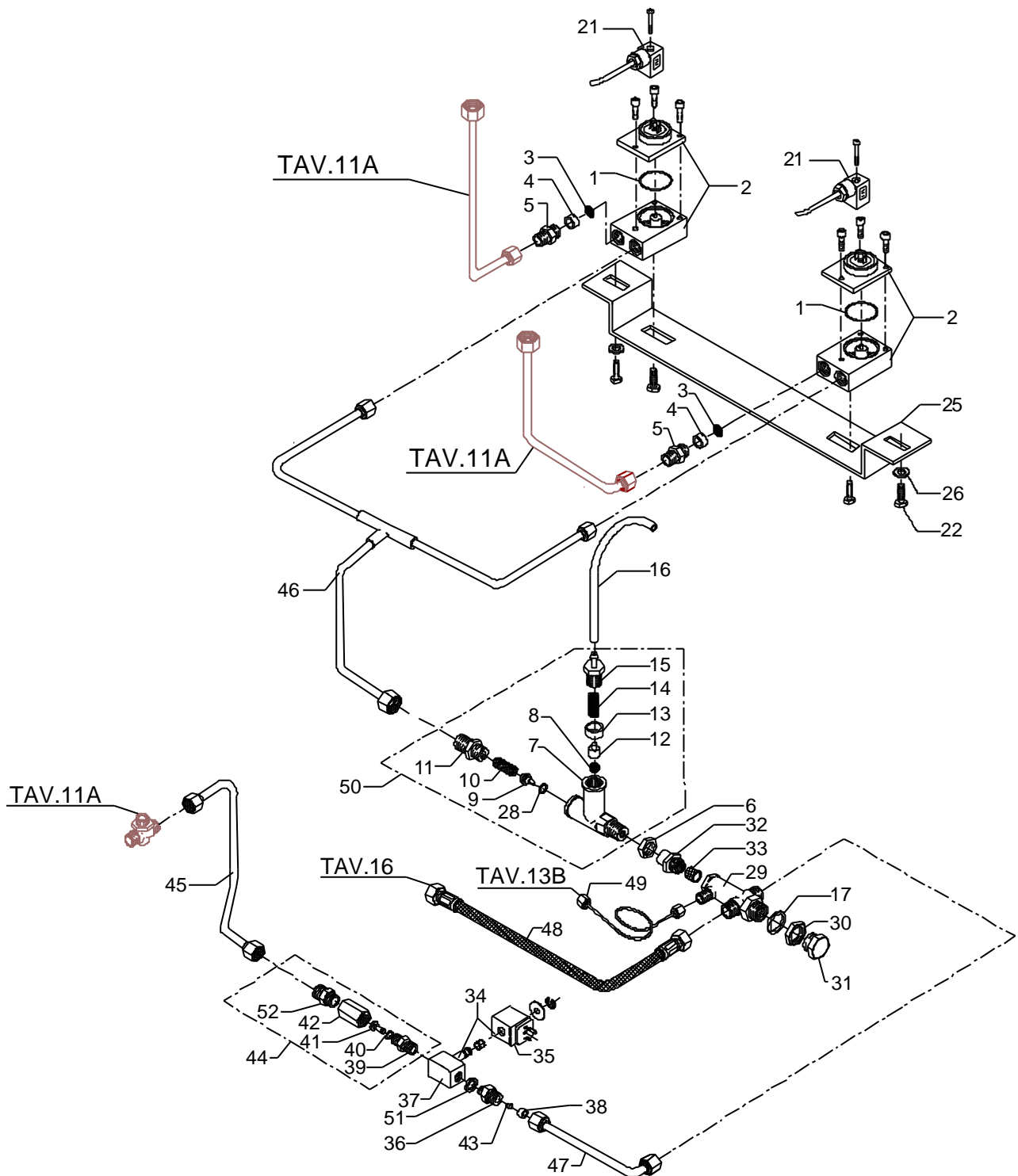
Tav. 03A (up to 01.06.07)

POS	DESCRIPTION	CODE	REFERENCE
1	OR GASKET 2112 VITON	7496020	X/15 2320
2	FLOW METER + AUT. WITH LED	7431001	X/22 2365
3	NET FILTER D11 AISI 304	5471001	J 678
4	SPACER D11X8X6.5 PTFE	5191501	J 621
5	STRAIGHT FITTING M12 X 1/4"G H24 OT	5302009	F 1031
6	NUT 1/4"G H5 OT	5221821	T 1498
7	SURPRESSION VALVE BODY	5283040	-
8	GASKET D8 X 4 EPT 70SH	5493001	M/9 2463EP
9	GASKET-HOLDER	5224615	-
10	CALIBRATED SPRING D0.45 H22 AISI 302	5471505	X/1 2222
11	STRAIGHT FITTING M12XM13 ES.16 H26.5 OT	5302018	-
12	GASKET-HOLDER D5.3	5224609	X/1 2225
13	CALIBRATED SPRING D1 H26 AISI 302	5471506.01	X/1 2226
14	SPACER D16 H12.2	5222201	-
15	RUBBER-HOLDER FITTING M12x1 OT	5302026DC	X/1 2228
16	SURPRESSION VALVE DRAIN HOSE	5194554	06.16.00.624
17	WASHER D20 X 30	5999906	-
21	FLOW METER CONNECTOR	7631505	X/22 2367
22	SCREW TE M4X12 UNI 5739 A2	7816405	-
25	BRACKET FOR FLOW METER	5038105LW	-
26	PLAIN WASHER D5 UNI 6592 A2	7815003	-
28	OR GASKET 105 VITON	7496018	-
29	MULTIPLE FITTING 5 WAY OT (DE)	5302501	-
30	NUT M20x1.25 ES.26 H5 OT	5221823	-
31	PLUG 1/4"G ES.16 H13 OT	5226405	-
32	FITTING MF 3/8X1/4 OT	5302061	-
33	FILTER D13.5 H11 AISI 304	5471002	-
34	SOLENOID VALVE 2 WAY 220/240V PARKER (FROM 09/06)	7702312	-
34	SOLENOID VALVE 2 WAY 110V PARKER (FROM 02/07)	7701114	-
35	SOLENOID VALVE COIL 220/240V PARKER	7630325	-
35	SOLENOID VALVE COIL 110V PARKER	7630324	-
36	FITTING M13X1/8"G ES.15 H23.5 OT	5302014	-
37	SOLENOID VALVE WITHOUT COIL PARKER	7703011	-
38	FILTER D8.5X5 AISI304	5471019	-
39	FITTING SERTO 1/8"G	7304502LL	-
40	OR GASKET D4.5 X 1.9 VITON	7496035	-
41	STUD D8.5 X 17.5 OT	5224002	-
42	FITTING 1/8"G OT	5302015	-
43	JET M6 X 6 HOLE D0.8 OT	5223003	-
44	COMPLETE CHECK VALVE	5223018	-
45	OUTLET HOSE L/A DE	5162262LL	-
46	SURPRESSION VALVE / CONT. VOL. DE	5162257LL	-
47	INLET AUTOMATIC LEVEL HOSE DE	5162261LL	-
48	FLEXIBLE HOSE 3/8"FFC L=600MM	7200507	-
49	CAPILLARY 1.27X2.51X500 1/8" M12X1	7400901	-
50	SURPRESSION VALVE WITH RUBBER-HOLDER	5965043.01	-
51	WASHER D10.2X15X2.2 COPPER / ASBESTOS FREE	5221858	-



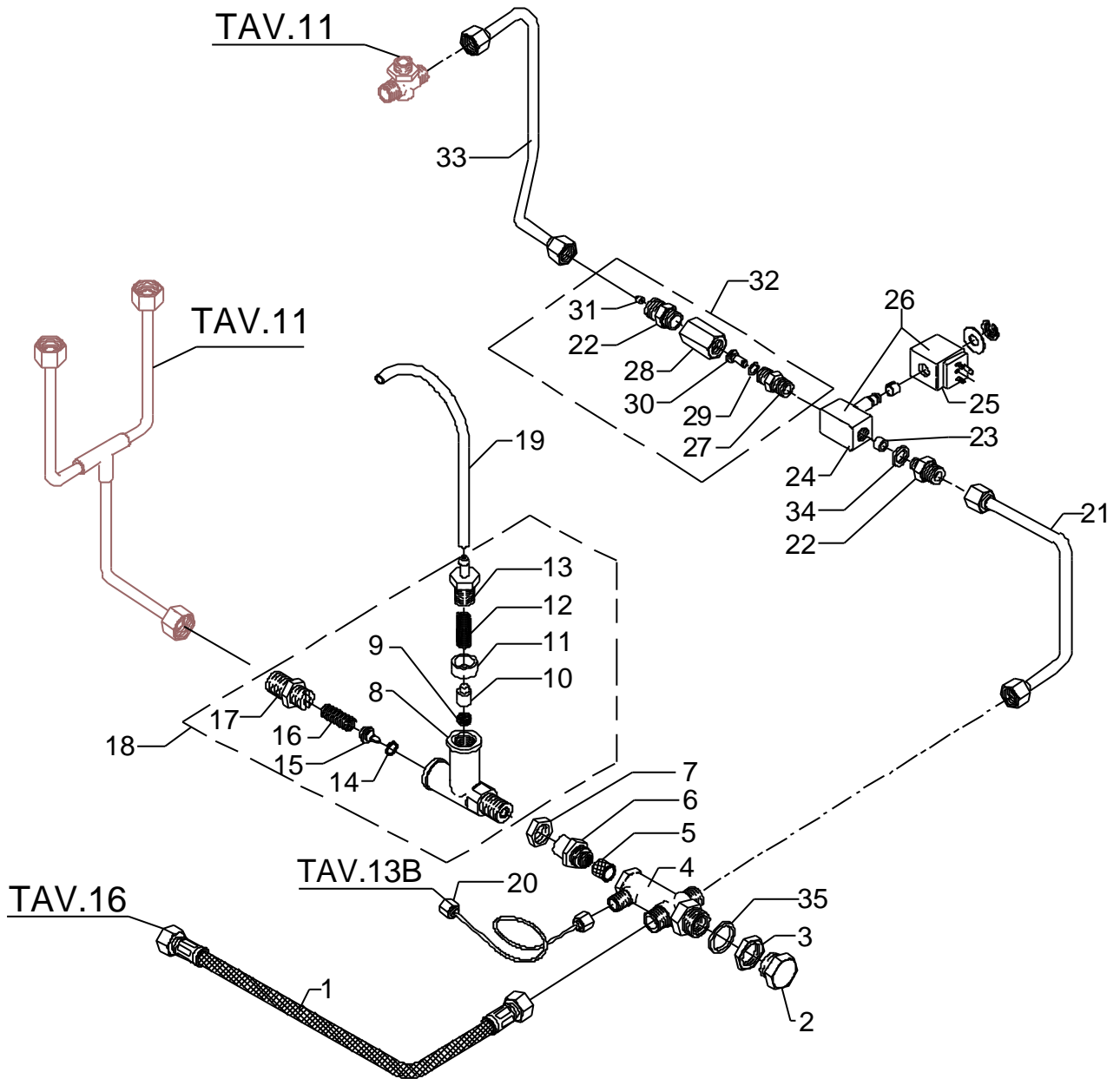


POS	DESCRIPTION	CODE	REFERENCE
1	OR GASKET 2112 VITON	7496020	X/15 2320
2	FLOW METER + AUT. WITH LED	7431001	X/22 2365
3	NET FILTER D11 AISI 304	5471001	J 678
4	SPACER D11X8X6.5 PTFE	5191501	J 621
5	STRAIGHT FITTING M12 X 1/4"G H24 OT	5302009	F 1031
6	NUT 1/4"G H5 OT	5221821	T 1498
7	SURPRESSION VALVE BODY	5283040	-
8	GASKET D8 X 4 EPT 70SH	5493001	M/9 2463EP
9	GASKET-HOLDER	5224615	-
10	CALIBRATED SPRING D0.45 H22 AISI 302	5471505	X/1 2222
11	STRAIGHT FITTING M12XM13 ES.16 H26.5 OT	5302018	-
12	GASKET-HOLDER D5.3	5224609	X/1 2225
13	CALIBRATED SPRING D1 H26 AISI 302	5471506.01	X/1 2226
14	SPACER D16 H12.2	5222201	-
15	RUBBER-HOLDER FITTING M12x1 OT	5302026DC	X/1 2228
16	SURPRESSION VALVE DRAIN HOSE	5194554	06.16.00.624
17	WASHER D20 X 30	5999906	-
21	FLOW METER CONNECTOR	7631505	X/22 2367
22	SCREW TE M4X12 UNI 5739 A2	7816405	-
25	BRACKET FOR FLOW METER	5038105LW	-
26	PLAIN WASHER D5 UNI 6592 A2	7815003	-
28	OR GASKET 105 VITON	7496018	-
29	MULTIPLE FITTING 5 WAY OT (DE)	5302501	-
30	NUT M20x1.25 ES.26 H5 OT	5221823	-
31	PLUG 1/4"G ES.16 H13 OT	5226405	-
32	FITTING MF 3/8X1/4 OT	5302061	-
33	FILTER D13.5 H11 AISI 304	5471002	-
34	SOLENOID VALVE 2 WAY 220/240V PARKER (FROM 09/06)	7702312	-
34	SOLENOID VALVE 2 WAY 110V PARKER (FROM 02/07)	7701114	-
35	SOLENOID VALVE COIL 220/240V PARKER	7630325	-
35	SOLENOID VALVE COIL 110V PARKER	7630324	-
36	FITTING M13X1/8"G ES.15 H23.5 OT	5225238	-
37	SOLENOID VALVE WITHOUT COIL PARKER	7703011	-
38	FILTER D8.5X5 AISI304	5471019	-
39	FITTING SERTO 1/8"G	7304502LL	-
40	OR GASKET D4.5 X 1.9 VITON	7496035	-
41	STUD D8.5 X 17.5 OT	5224002	-
42	FITTING 1/8"G OT	5302015	-
43	JET M6 X 6 HOLE D0.8 OT	5223003	-
44	COMPLETE CHECK VALVE	5223018.01	-
45	OUTLET HOSE L/A DE	5162262LL	-
46	SURPRESSION VALVE / CONT. VOL. DE	5162257LL	-
47	INLET AUTOMATIC LEVEL HOSE DE	5162261LL	-
48	FLEXIBLE HOSE 3/8"FFC L=600MM	7200507	-
49	CAPILLARY 1.27X2.51X500 1/8" M12X1	7400901	-
50	SURPRESSION VALVE WITH RUBBER-HOLDER	5965043.01	-
51	WASHER D10.2X15X2.2 COPPER / ASBESTOS FREE	5221858	-
52	FITTING M13X1/8"G ES.15 H23.5 OT	5302014	-



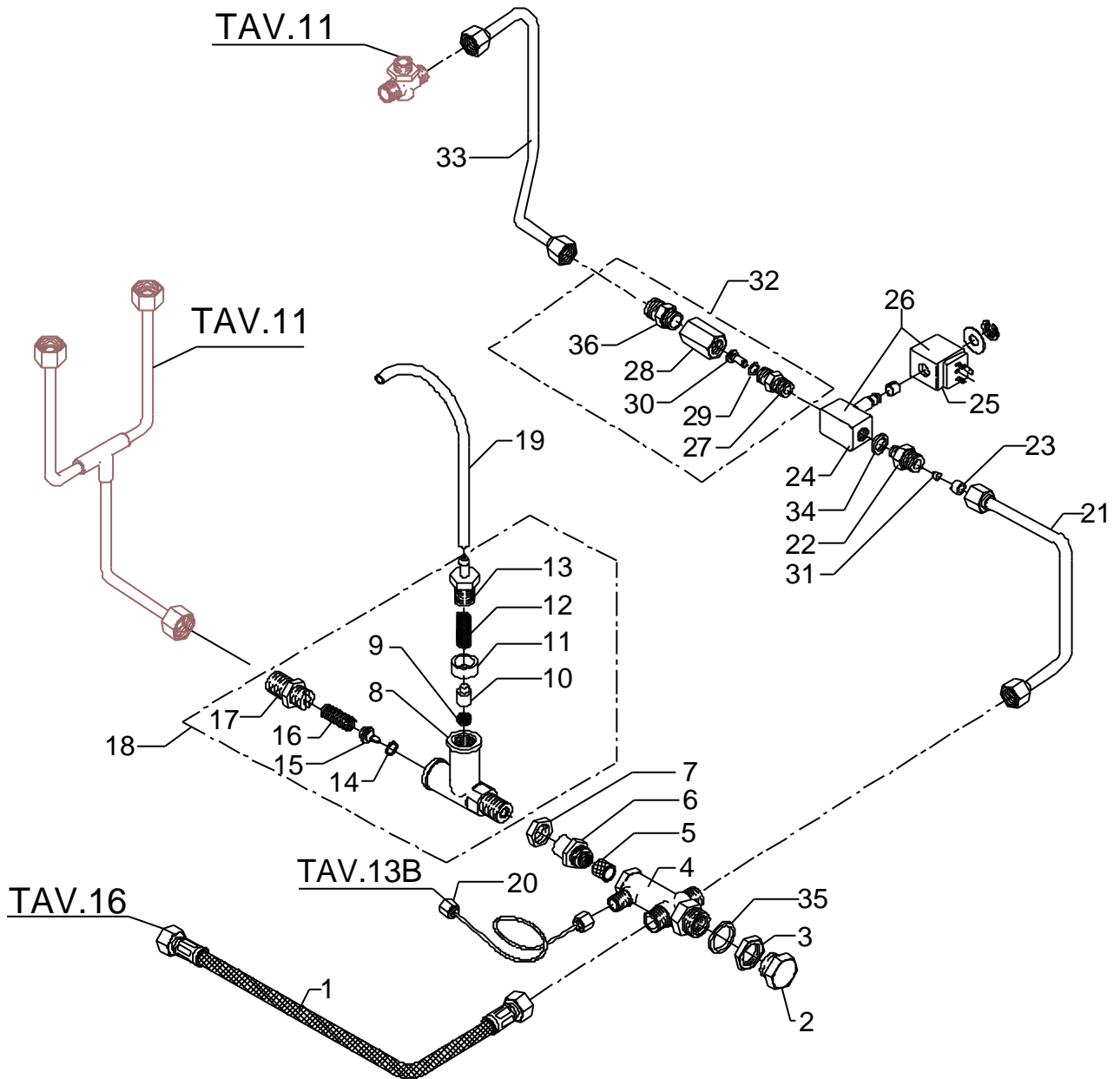


POS	DESCRIPTION	CODE	REFERENCE
1	FLEXIBLE HOSE 3/8"FFC L=600MM	7200507	-
2	PLUG 1/4"G ES.16 H13 OT	5226405	-
3	NUT M20x1.25 ES.26 H5 OT	5221823	-
4	MULTIPLE FITTING 5 WAY OT	5302501	-
5	FILTER D13.5 H11 AISI 304	5471002	-
6	FITTING MF 3/8X1/4 OT	5302061	-
7	NUT 1/4"G H5 OT	5221821	-
8	SURPRESSION VALVE BODY	5283040	-
9	GASKET D8 X 4 EPT 70SH	5493001	-
10	GASKET-HOLDER D5.3	5224609	-
11	CALIBRATED SPRING D1 H26 AISI 302	5471506.01	-
12	SPACER D16 H12.2	5222201	-
13	RUBBER-HOLDER FITTING M12x1 OT	5302026DC	-
14	OR GASKET 105 VITON	7496018	-
15	GASKET-HOLDER	5224615	-
16	CALIBRATED SPRING D0.45 H22 AISI 302	5471505	-
17	STRAIGHT FITTING M12XM13 ES.16 H26.5 OT	5302018	-
18	SURPRESSION VALVE WITH RUBBER-HOLDER	5965043.01	-
19	SURPRESSION VALVE DRAIN HOSE	5194554	-
20	CAPILLARY 1.27X2.51X500 1/8" M12X1	7400901	-
21	INLET AUTOMATIC LEVEL HOSE DE	5162261LL	-
22	FITTING M13X1/8"G ES.15 H23.5 OT	5302014	-
23	FILTER D8,5X5 AISI304	5471019	-
24	SOLENOID VALVE WITHOUT COIL PARKER	7703011	-
25	SOLENOID VALVE COIL 220/240V PARKER	7630325	-
25	SOLENOID VALVE COIL 110V PARKER	7630324	-
26	SOLENOID VALVE 2 WAY 220/240V PARKER (FROM 09/06)	7702312	-
26	SOLENOID VALVE 2 WAY 110V PARKER (FROM 02/07)	7701114	-
27	FITTING SERTO 1/8"G	7304502LL	-
28	FITTING 1/8"G OT	5302015	-
29	OR GASKET D4.5 X 1.9 VITON	7496035	-
30	STUD D8.5 X 17.5 OT	5224002	-
31	JET M6 X 6 HOLE D0.8 OT	5223003	-
32	COMPLETE CHECK VALVE	5223018	-
33	OUTLET HOSE L/A DE	5162262LL	-
34	WASHER D10.2X15X2.2 COPPER / ASBESTOS FREE	5221858	-
35	WASHER D20 X 30	5999906	-





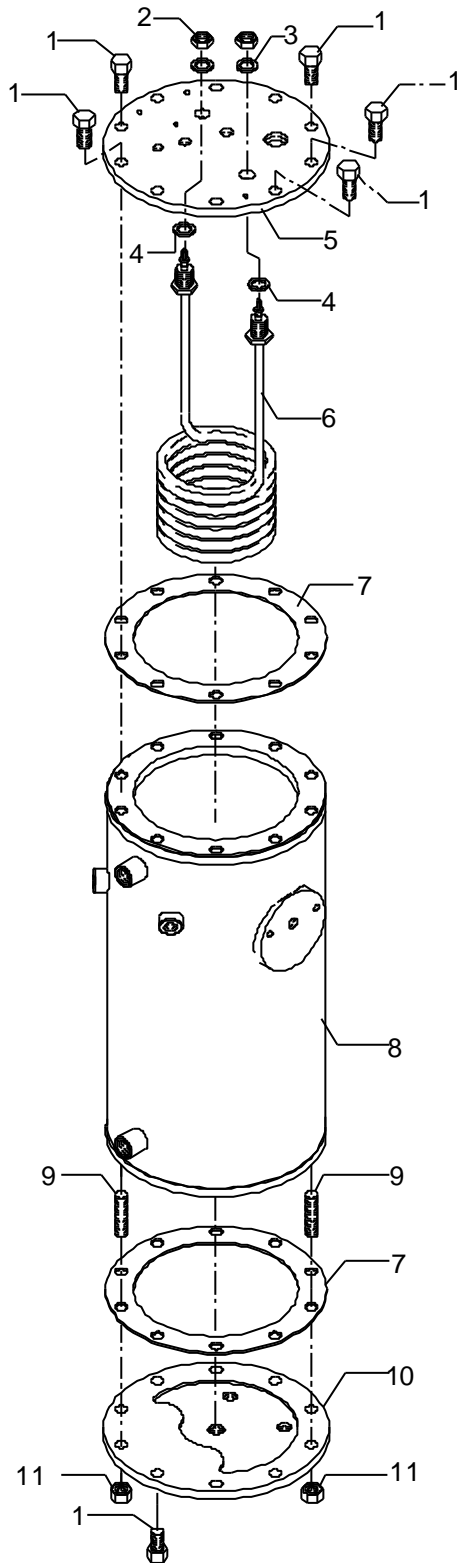
POS	DESCRIPTION	CODE	REFERENCE
1	FLEXIBLE HOSE 3/8"FFC L=600MM	7200507	-
2	PLUG 1/4"G ES.16 H13 OT	5226405	-
3	NUT M20x1.25 ES.26 H5 OT	5221823	-
4	MULTIPLE FITTING 5 WAY OT	5302501	-
5	FILTER D13.5 H11 AISI 304	5471002	-
6	FITTING MF 3/8X1/4 OT	5302061	-
7	NUT 1/4"G H5 OT	5221821	-
8	SURPRESSION VALVE BODY	5283040	-
9	GASKET D8 X 4 EPT 70SH	5493001	-
10	GASKET-HOLDER D5.3	5224609	-
11	CALIBRATED SPRING D1 H26 AISI 302	5471506.01	-
12	SPACER D16 H12.2	5222201	-
13	RUBBER-HOLDER FITTING M12x1 OT	5302026DC	-
14	OR GASKET 105 VITON	7496018	-
15	GASKET-HOLDER	5224615	-
16	CALIBRATED SPRING D0.45 H22 AISI 302	5471505	-
17	STRAIGHT FITTING M12XM13 ES.16 H26.5 OT	5302018	-
18	SURPRESSION VALVE WITH RUBBER-HOLDER	5965043.01	-
19	SURPRESSION VALVE DRAIN HOSE	5194554	-
20	CAPILLARY 1.27X2.51X500 1/8" M12X1	7400901	-
21	INLET AUTOMATIC LEVEL HOSE DE	5162261LL	-
22	FITTING M13X1/8"G ES.15 H23.5 OT	5225238	-
23	FILTER D8,5X5 AISI304	5471019	-
24	SOLENOID VALVE WITHOUT COIL PARKER	7703011	-
25	SOLENOID VALVE COIL 220/240V PARKER	7630325	-
25	SOLENOID VALVE COIL 110V PARKER	7630324	-
26	SOLENOID VALVE 2 WAY 220/240V PARKER (FROM 09/06)	7702312	-
26	SOLENOID VALVE 2 WAY 110V PARKER (FROM 02/07)	7701114	-
27	FITTING SERTO 1/8"G	7304502LL	-
28	FITTING 1/8"G OT	5302015	-
29	OR GASKET D4.5 X 1.9 VITON	7496035	-
30	STUD D8.5 X 17.5 OT	5224002	-
31	JET M6 X 6 HOLE D0.8 OT	5223003	-
32	COMPLETE CHECK VALVE	5223018.01	-
33	OUTLET HOSE L/A DE	5162262LL	-
34	WASHER D10.2X15X2.2 COPPER / ASBESTOS FREE	5221858	-
35	WASHER D20 X 30	5999906	-
36	FITTING M13X1/8"G ES.15 H23.5 OT	5302014	-



POS	DESCRIPTION	CODE	REFERENCE
1	SCREW TE M10X18 DIN 933 A2	7816424	-
2	NUT 1/4"G H5 OT	5221821	T 1498
3	WASHER D14 X 19X 1.5 COPPER	5221869	-
4	GASKET D22 X 13.5 X 2 ASBESTOS FREE	5492003	T 1499
5	UPPER FLANGE BOILER D205 OT	5283508	-
6	HEATING ELEMENT 2000W 110V	5721105	J 257/110
6	HEATING ELEMENT 3000W 220V	5722212	J 257/220
6	HEATING ELEMENT 3000W 240V	5722427	J 257/240 INC
7	GASKET D203 X 151 X 2 ASBESTOS FREE	5492005	J 57A
8	ASSEMBLY BOILER POLISHED	5322501BL	VTE 49
9	TIE ROD M10 X 33 ASTM A193 B8 C/1	5267012	F 691/A
9	TIE ROD M10 X 38 AISI 304	7473024	-
10	BOTTOM FLANGE BOILER D205 OT	5283509	-
11	NUT M10 UNI 5587 OT	7821402	-

Mod. VERTICALE DE
VERTICALE PM
VERTICALE TP
VERTICALE TE

Tav. 04

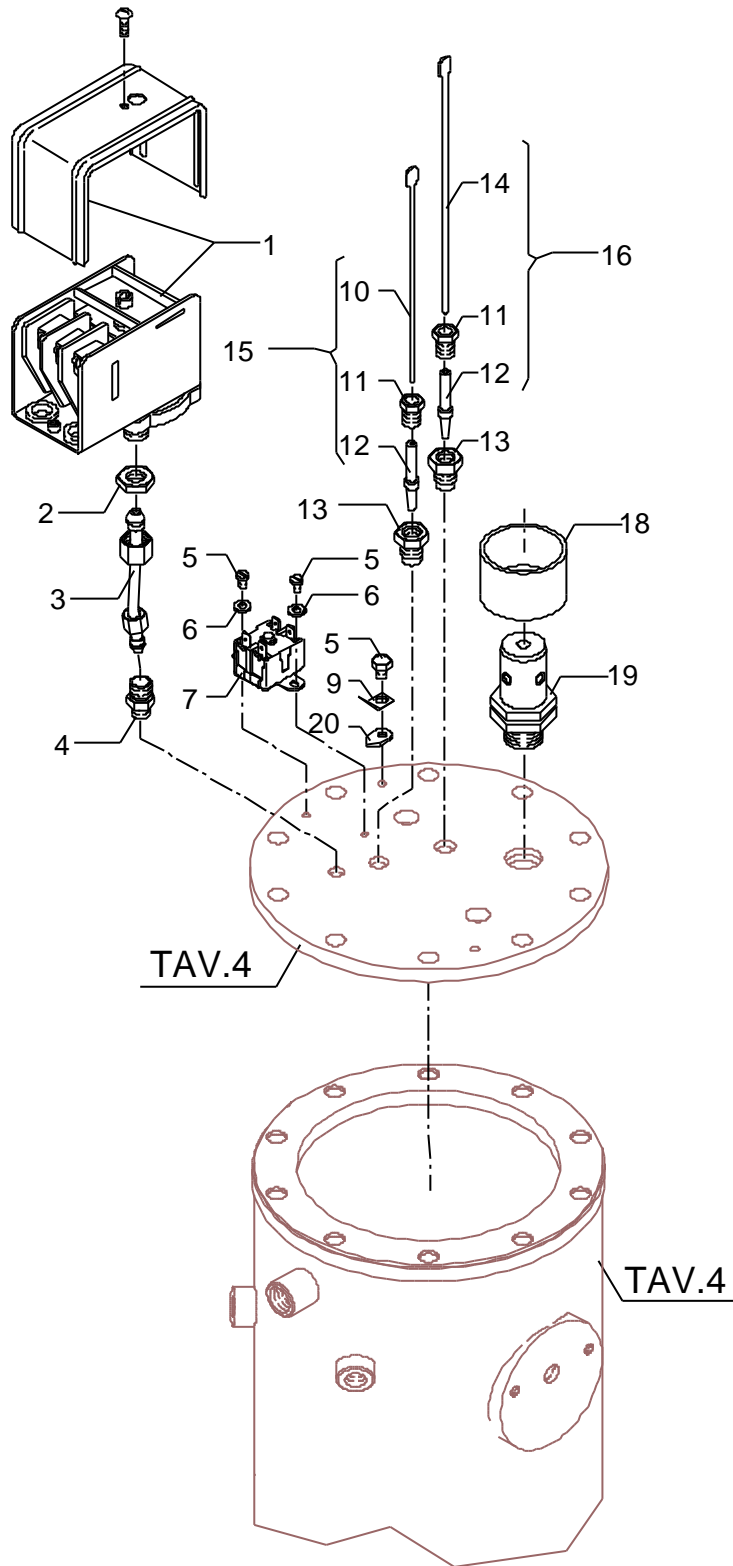




POS	DESCRIPTION	CODE	REFERENCE
1	PRESSOSTAT PARKER PS325/1	7433015	U/5 2343
2	NUT 1/4"G H5 OT	5221821	T 1498
3	PRESSOSTAT HOSE	5162102LL	VTE 46
4	STRAIGHT FITTING M12 X M10 OT	5302010	F 683
5	SCREW TCI M4X6 UNI 6107 OT	7826212	F 1219
6	PLAIN WASHER D8 X 4 X 0.8 OT	7825001	F 1218
7	THERMIC SAFETY DEVICE 250V 130°C AUTOMATIC	7434002	J 724
9	FASTON 45° HOLE D4.3	7615003	J 542
10	MAXIMUM LEVEL PROBE D3 X 180 X 6.3	5265802	Y/6 2386
11	STRAIGHT FITTING M10 OT	5225205	Y 2257/2
12	PROBE SHEATH D8 X 45 HOLE D3 PTFE	5192001	Y/5 2383/A
13	STRAIGHT FITTING 1/4"G X M10 OT	5225209	Y 2257/3
14	MINIMUM LEVEL PROBE D3 X 200 X 4,8	5265810	-
15	ASSEMBLY MAXIMUM LEVEL PROBE	5973042	Y/6 2388
16	ASSEMBLY MINIMUM LEVEL PROBE	5973043	Y/6 2389
18	COMPLETE CUP	5963047	-
19	ASSEMBLY SAFETY VALVE 1.5 BAR	5965015.01	-
20	EARTHED LABLE	7614501	BZ 054

Mod. VERTICALE DE
VERTICALE PM
VERTICALE TP
VERTICALE TE

Tav. 05

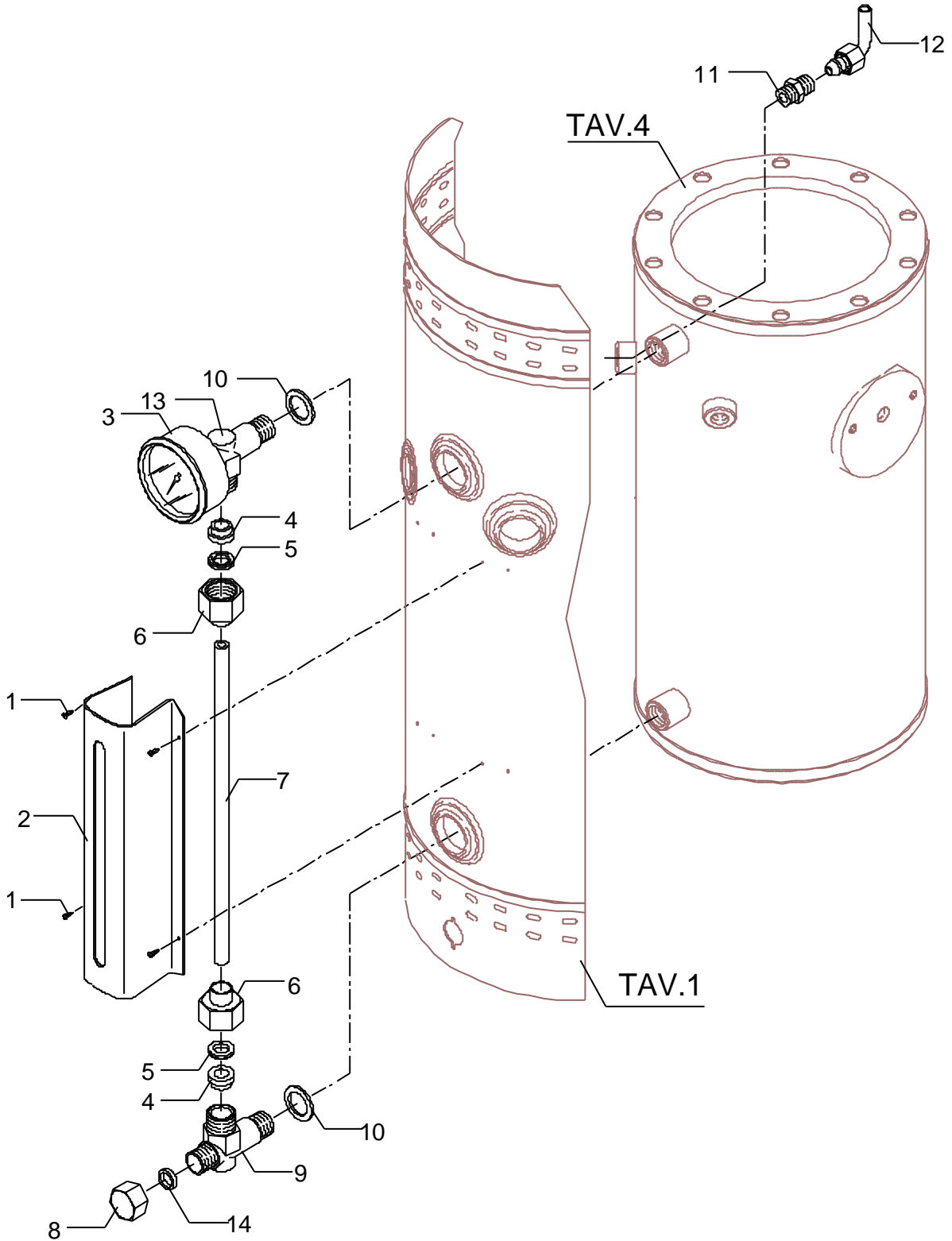


POS	DESCRIPTION	CODE	REFERENCE
1	TAPPING SCREW TB D2.9 X 9.5 UNI 6954 A2	7818002	F 1439
2	GLASS-LEVEL COVER OT CHORMED	5123002CM	VRTL 12
2	GLASS-LEVEL COVER OT LACQUER	5123002ZP	VRTL 12
3	PRESSURE GAUGE 1/4"G D63 3 BAR	7432510	-
4	GLASS-LEVEL GASKET RUBBER	5493026	S 1412
5	GASKET-PRESS D18 X 11 X 3	5224802	S 1413
6	NUT 1/2"G	5221841CM	-
7	LEVEL HOSE L=265MM	5430503	VTE 64
8	CAP NUT 3/8"G ES.22 H13 OT CHROMED	5221819CM	S 1419
9	LEVEL BOTTOM FITTING OT CHROMED	5302505CM	VTE 65CM
10	WASHER D26 X 17 X 1.5 COPPER CHROMED	5221864CM	-
11	STRAIGHT FITTING M13 ES.13 H24 OT	5302050	VTE 48
12	COMPLETE STEAM TAP HOSE	5163078LL	06.16.00.134
13	LEVER UPPER FITTING OT CHROMED	5302504CM	VTE 62CM
14	GASKET D15X3 ASBESTOS FREE	5492011	F 730

Mod. VERTICALE DE
VERTICALE PM
VERTICALE TP
VERTICALE TE

Tav. 06

BEZZERA 
dal 1901

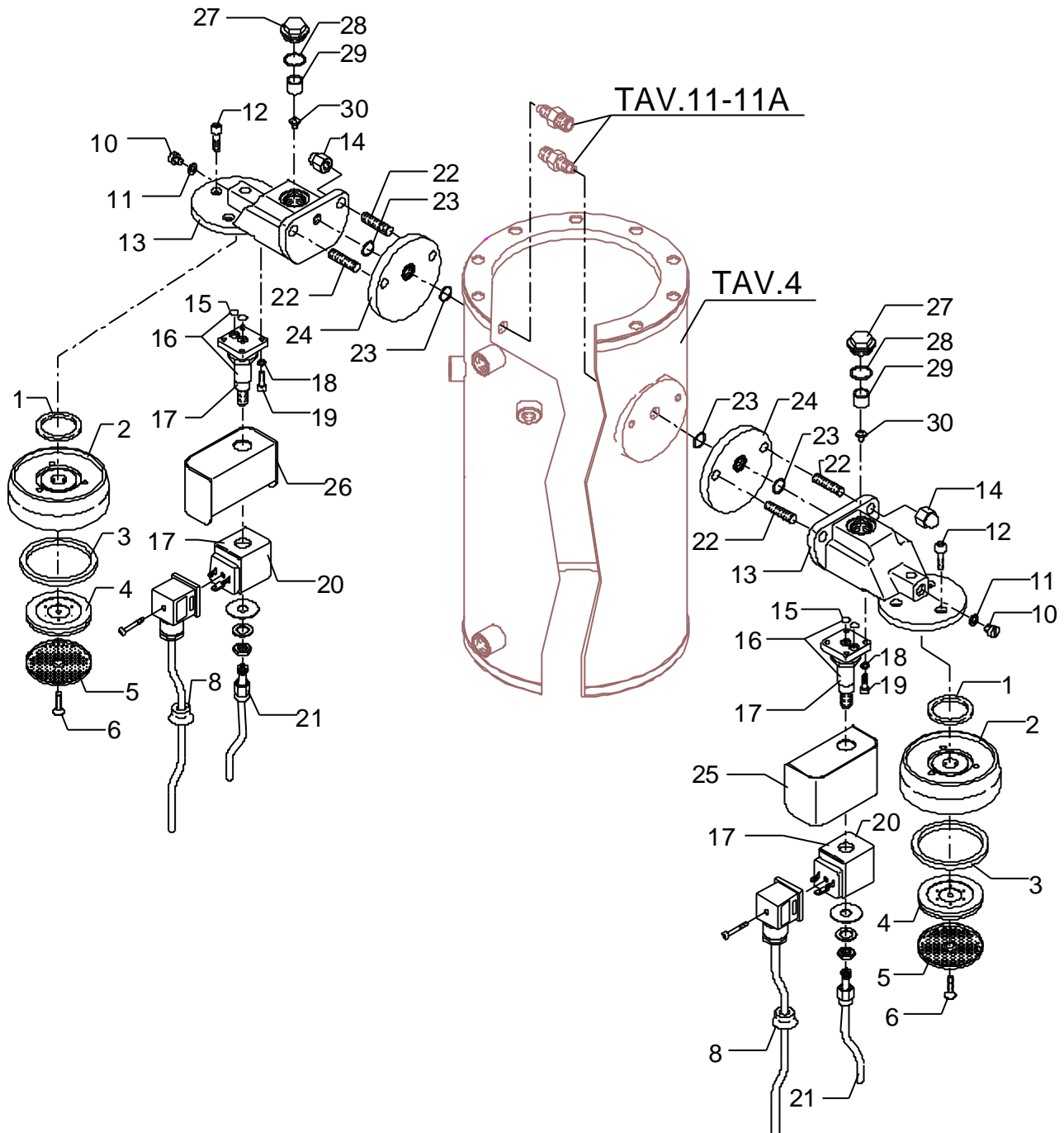




POS	DESCRIPTION	CODE	REFERENCE
1	OR GASKET 139 VITON	7496004	A 122
2	COUPLING RING CHROMED (FROM 01/04/01)	5280502CM	A/B 153P
2	COUPLING RING OT LACQUER	5280501ZP	A 123ZP
2	COUPLING RING GOLD FOR FLAT GASKET (FROM 01/04/01)	5280502ZP	-
3	OR GASKET 160 NBR 75SH	7496011	A 117N
3	OR GASKET 160 VITON 80SH	7496029	A 117/V
3	CONIC GASKET H 9.3 NBR 90SH	7493008	-
4	SHOWER-HOLDER D57OT	5285501	A 132
5	SHOWER D51.9 WITH NET AISI 304 (OLD TYPE)	5470504	A 119
5	SHOWER D57 AISI 304	5470501	A 130
6	SCREW TPS M5X12 DIN 963 A2 (OLD TYPE)	7817007	A 120
6	SCREW TPS M5X16 DIN 963 A2	7817001	A 131
8	FAIRLEAD	7613008	VTE 29
10	SCREW M6 X 6 CHROMED	5227001CM	A/V 124
10	SCREW M6 X 6 OT LACQUER	5227001ZP	-
11	GASKET D10,5X6,3X1 ASBESTOS FREE	5492001	J 298
12	SCREW TCEI M5X12 UNI 5931 A2	7816001	A 121
13	DELIVERY GROUP BODY DE OT CHROMED	5283008CM	AV 115CM
13	DELIVERY GROUP BODY DE OT LACQUER	5283008ZP	AV 115ZP
14	CAP NUT M8 ES.14 H17 OT CHROMED	5221863CM	F 686CM
14	CAP NUT M8 ES.14 H17 OT LACQUER	5221863ZP	F 686ZP
15	OR GASKET 105 VITON	7496018	C 311
16	SOLENOID VALVE WITHOUT COIL SIRAI	7703008	-
17	SOLENOID VALVE 3 WAY 220/240V PARKER (FROM 12/06)	7702211	-
17	SOLENOID VALVE 3 WAY 110V PARKER (FROM 01/07)	7701113	-
18	WASHER Ø 4	7814001	-
19	SCREW TCEI M4X12	7816002	F 1600
20	SOLENOID VALVE COIL 110V PARKER	7630324	-
20	SOLENOID VALVE COIL 220/240V PARKER	7630325	-
21	COMPLETE GROUP DRAIN HOSE	5162101LL	-
22	TIE ROD M8 X 35	5267009	-
23	OR GASKET 114 VITON	7496052	VTE 67
24	FLANGE D80 H8.5 OT CHROMED	5227203CM	VTE 68CM
25	RIGHT SOLENOID VALVE COVER STAINLESS STEEL	5073005LW	VRTL 07
26	LEFT SOLENOID VALVE COVER STAINLESS STEEL	5073006LW	VRTL 07
27	PLUG M18 H16 OT CHROMED	5288001CM	-
27	PLUG M18 H16 OT LACQUER	5288001ZP	-
28	OR GASKET 119 VITON	7496005	A 112
29	FILTER D13.5 H11 AISI 304	5471002	A 113
30	JET M5 X 9 HOLE D1 OT (SPECIAL)	5223002	A 114/1

Mod. VERTICALE DE
VERTICALE PM
VERTICALE TP
VERTICALE TE

Tav. 07

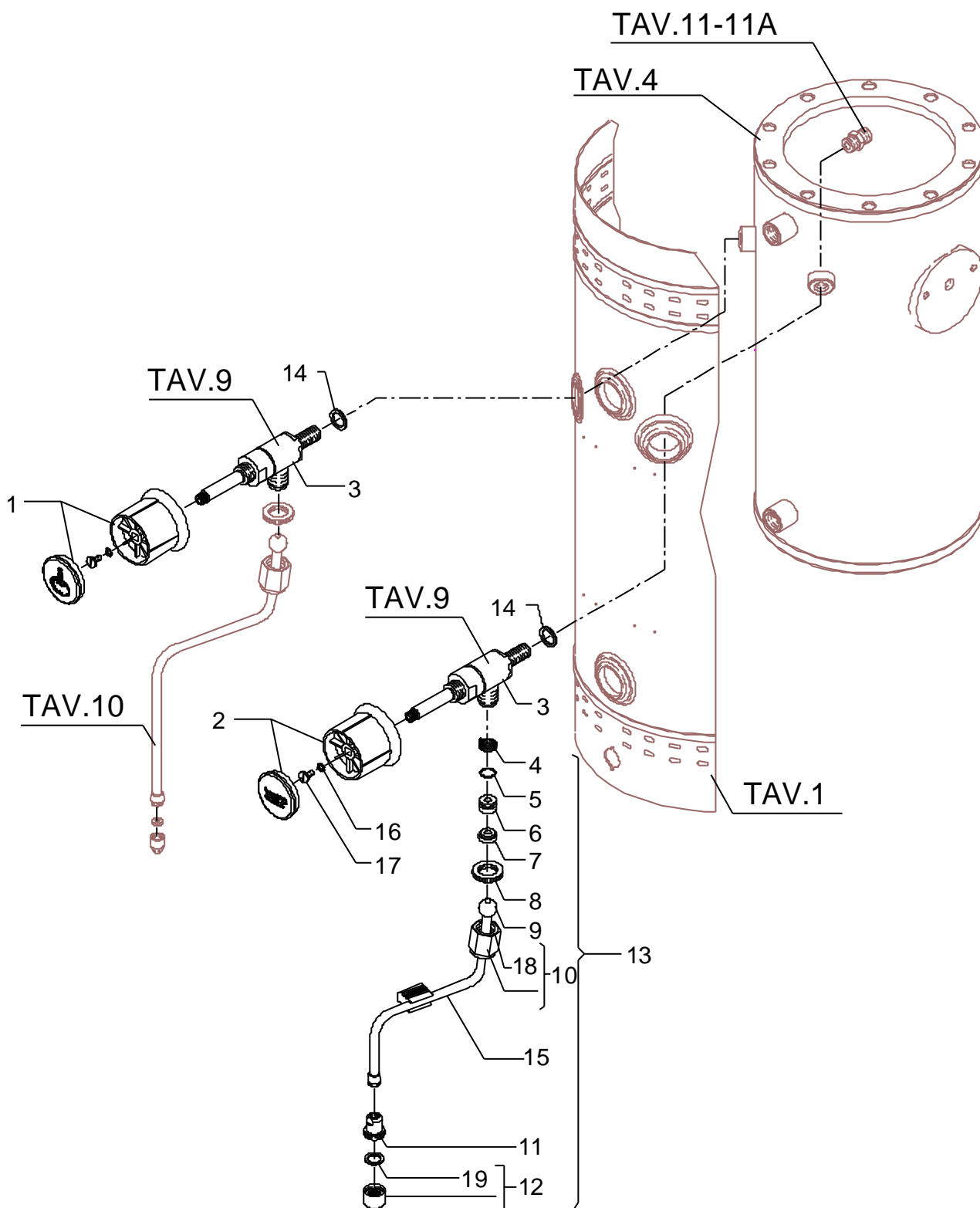


POS	DESCRIPTION	CODE	REFERENCE
1	COMPLETE STEAM KNOB	5973005	M/5 2421/V
2	COMPLETE WATER KNOB	5973006	M/5 2421/A
3	ASSEMBLY WATER/STEAM TAP	5974015.01	-
4	SPRING D14 AISI 302	5471504	O/6 2500
5	OR GASKET 112 EPDM 70SH	7496076	-
6	GASKET-HOLDER D14.7 X 10.5 OT	5224605	O/6 2502
7	GASKET D16X6X6 PTFE GRAPHITIZED	5494002	O/6 2503
8	RING NUT D27 X M18 X 4 OT CHROMED	5222801CM	O/1 1251CM
9	COMPLETE WATER HOSE CHROMED	5163075CM	O/6L 2504/A
10	NUT M18 H25 OT CHROMED WHIT GASKET	5221871CM-LL	-
11	WATER TERMINAL	5226601CM	-
12	FITTING M22 H25	5225226CM	-
13	ASSEMBLY WATER HOSE OT CHROMED	5966508CM	-
14	WASHER D14 X 20 X 1.5 COPPER	5221869	-
15	INSULATING	7371001	-
16	FAN WASHER D6 DIN 6798A	7804002	F 736
17	SCREW TCI M5X10 UNI 6107 OT	7826202	F 794A
18	GASKET Ø16X13,2X2 PTFE	5494009	-
19	GASKET D20.5X15 H1.5 NBR 70SH	5493003	-

Mod. VERTICALE DE
VERTICALE PM
VERTICALE TP
VERTICALE TE

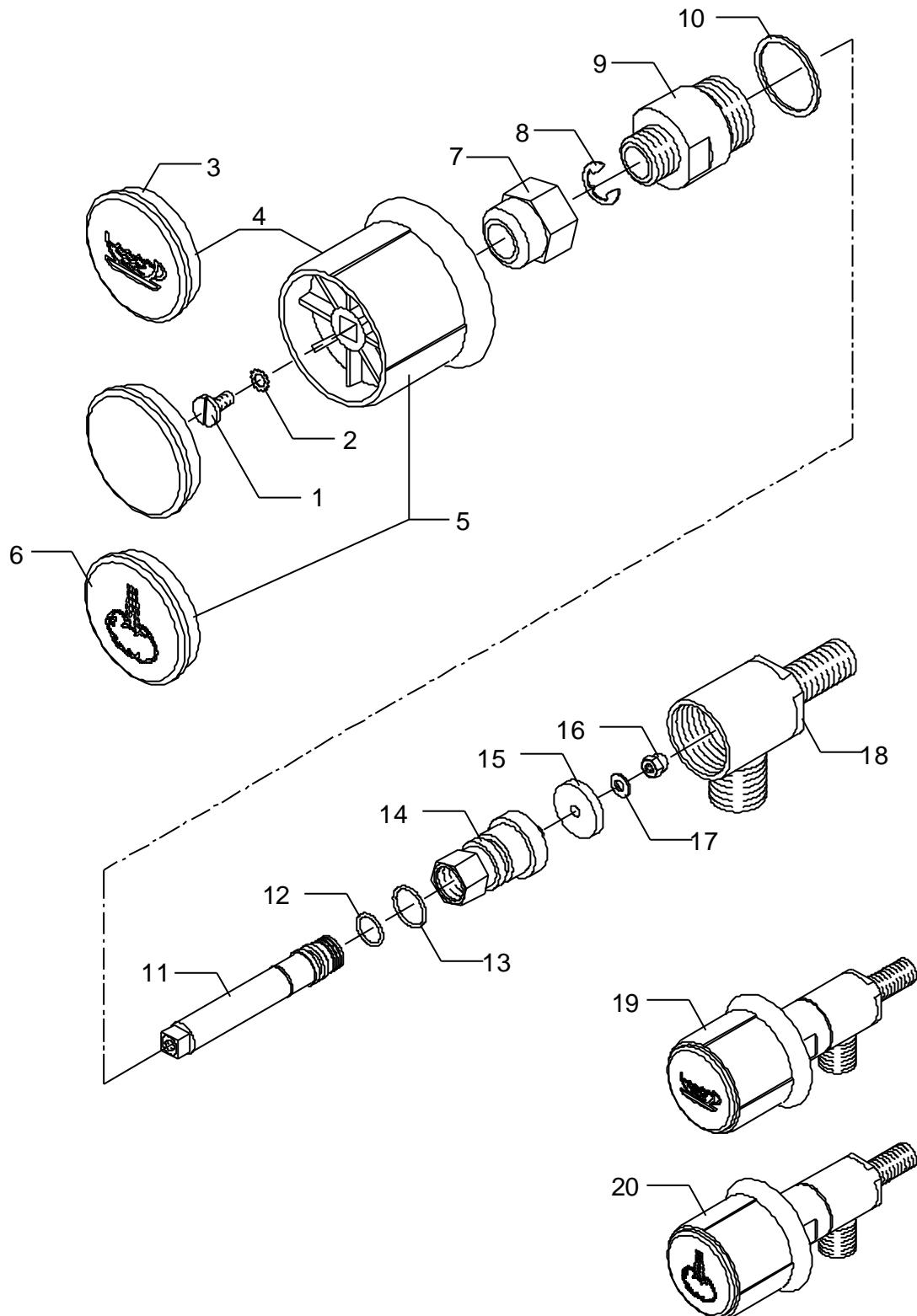
Tav. 08

BEZZERA 
dal 1901



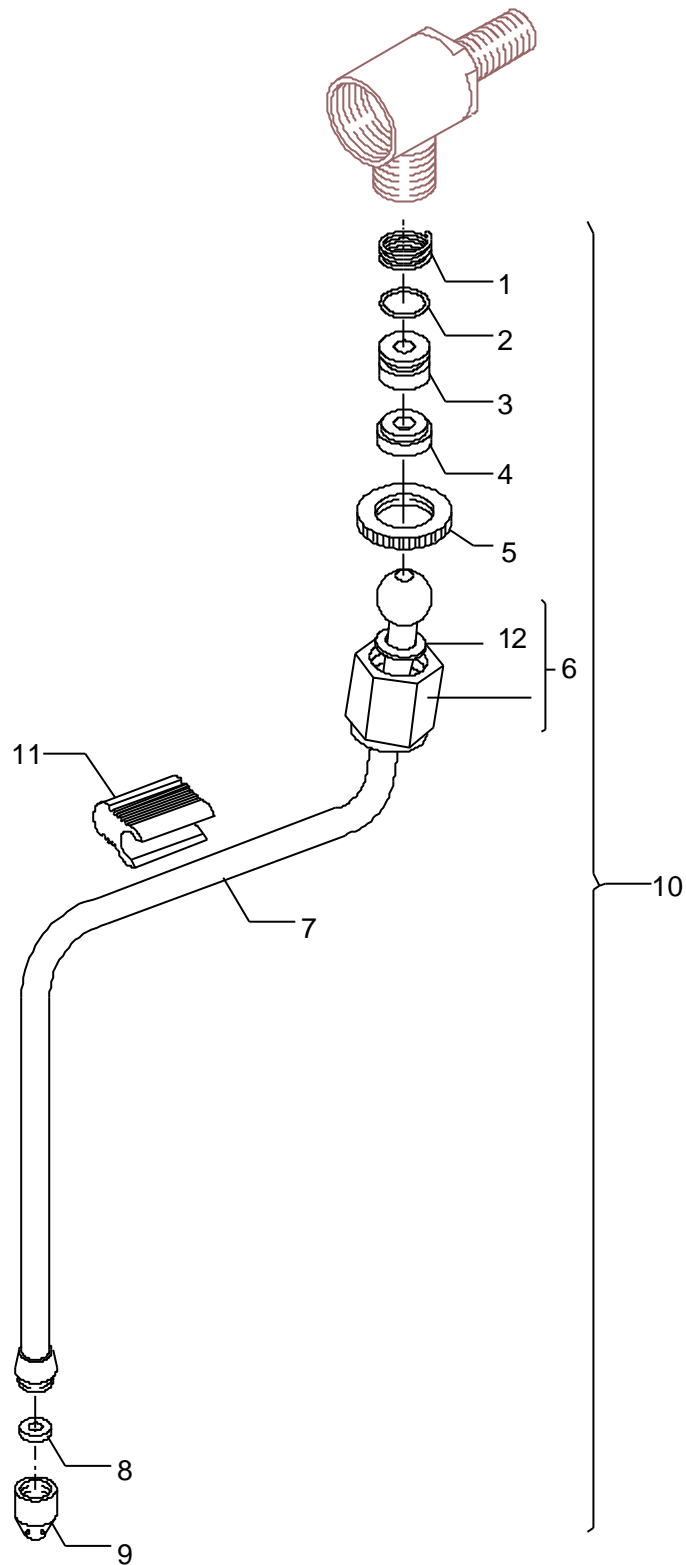


POS	DESCRIPTION	CODE	REFERENCE
1	SCREW TCI M5X10 UNI 6107 OT	7826202	F 794A
2	FAN WASHER D6 DIN 6798A	7804002	F 736
3	WATER PLUG	5373906	M/5 2436
4	COMPLETE WATER KNOB	5973006	M/5 2421/A
5	COMPLETE STEAM KNOB	5973005	M/5 2421/V
6	STEAM PLUG	5373905	M/5 2435
7	NUT 3/8"G ES.22 H22 OT CHROMED	5221804CM	M/5 2424CM
8	RING D7 UNI 7434 A2	7810601	M/5 2425
9	NUT SCREW	5223402CM	-
10	GASKET D28 X 1 CHROMED BRASS	5495001CM	M/6 2440
11	ROD	5220413	-
12	OR GASKET 10,82X1,78	7496075	-
13	OR GASKET 115 VITON	7496002	M/5 2430
14	GASKET-HOLDER WITH DOWEL	5970504.01	-
15	TAP GASKET EPT 70SH	5493023	M/5 2431EP
16	CAP NUT M4 OT	7822201	D/B 528
17	PLAIN WASHER D8 X 4 X 0.8 OT	7825001	F 1218
18	TAP BODY	5283033CM	-
19	ASSEMBLY WATER TAP	5974014.01	-
20	ASSEMBLY STEAM TAP	5974013.01	-

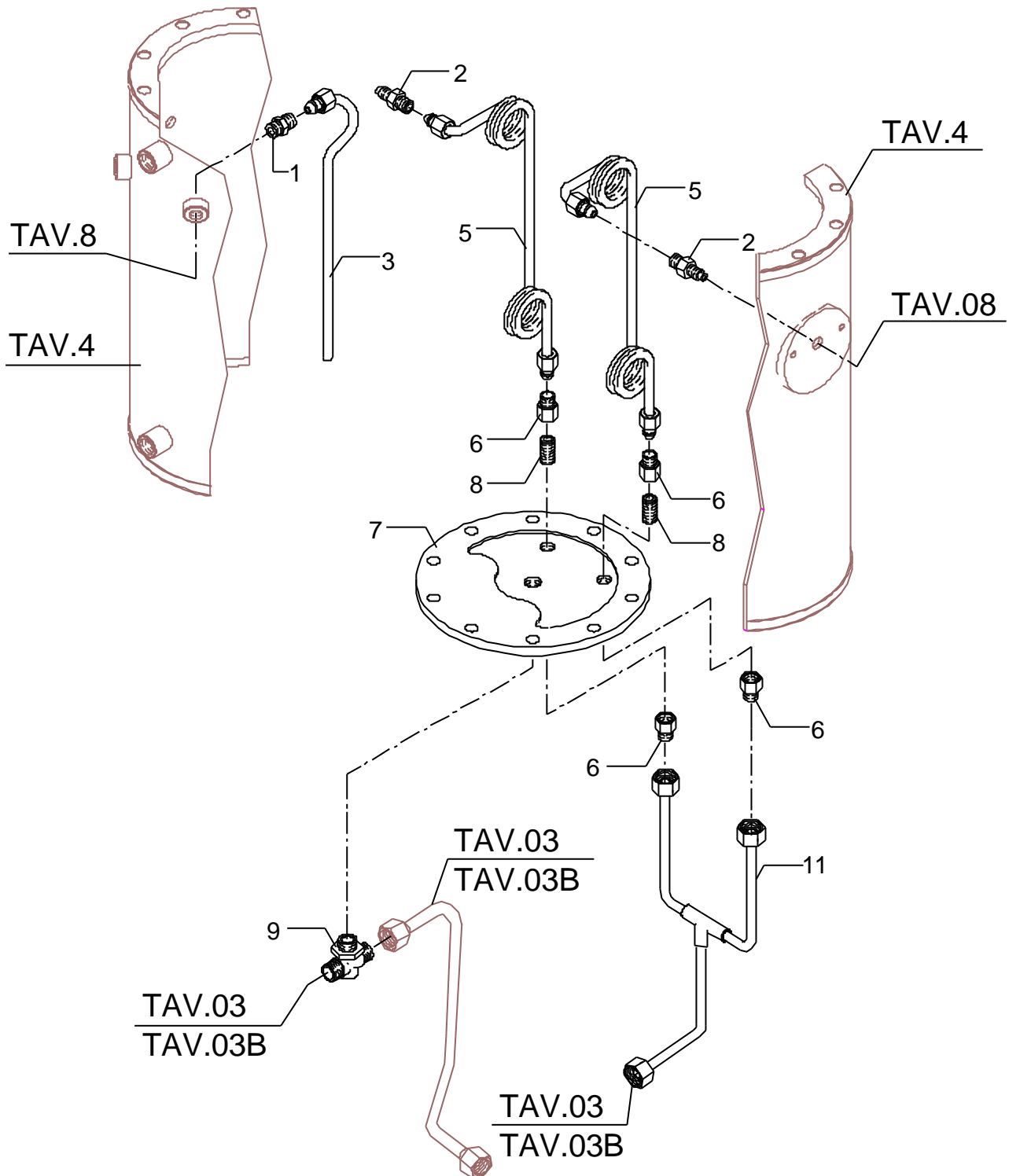




POS	DESCRIPTION	CODE	REFERENCE
1	SPRING D14 AISI 302	5471504	O/6 2500
2	OR GASKET 112 EPDM 70SH	7496076	-
3	GASKET-HOLDER D14.7 X 10.5 OT	5224605	O/6 2502
4	GASKET D16X6X6 PTFE GRAPHITIZED	5494002	O/6 2503
5	RING NUT D27 X M18 X 4 OT CHROMED	5222801CM	O/1 1251CM
6	NUT M18 H25 OT CHROMED	5221871CM-LL	-
7	COMPLETE STEAM HOSE CHROMED	5163076CM	O/6L 2504V
8	GASKET D8.5 X 5 X 3.2 PTFE	5494001	J 464/3
9	STEAM HOSE TERMINAL CHROMED	5226602	O/1 1258
10	ASSEMBLY STEAM HOSE CHROMED	5966509CM	-
11	INSULATING	7371001	-
12	GASKET Ø16X13,2X2 PTFE	5494009	-

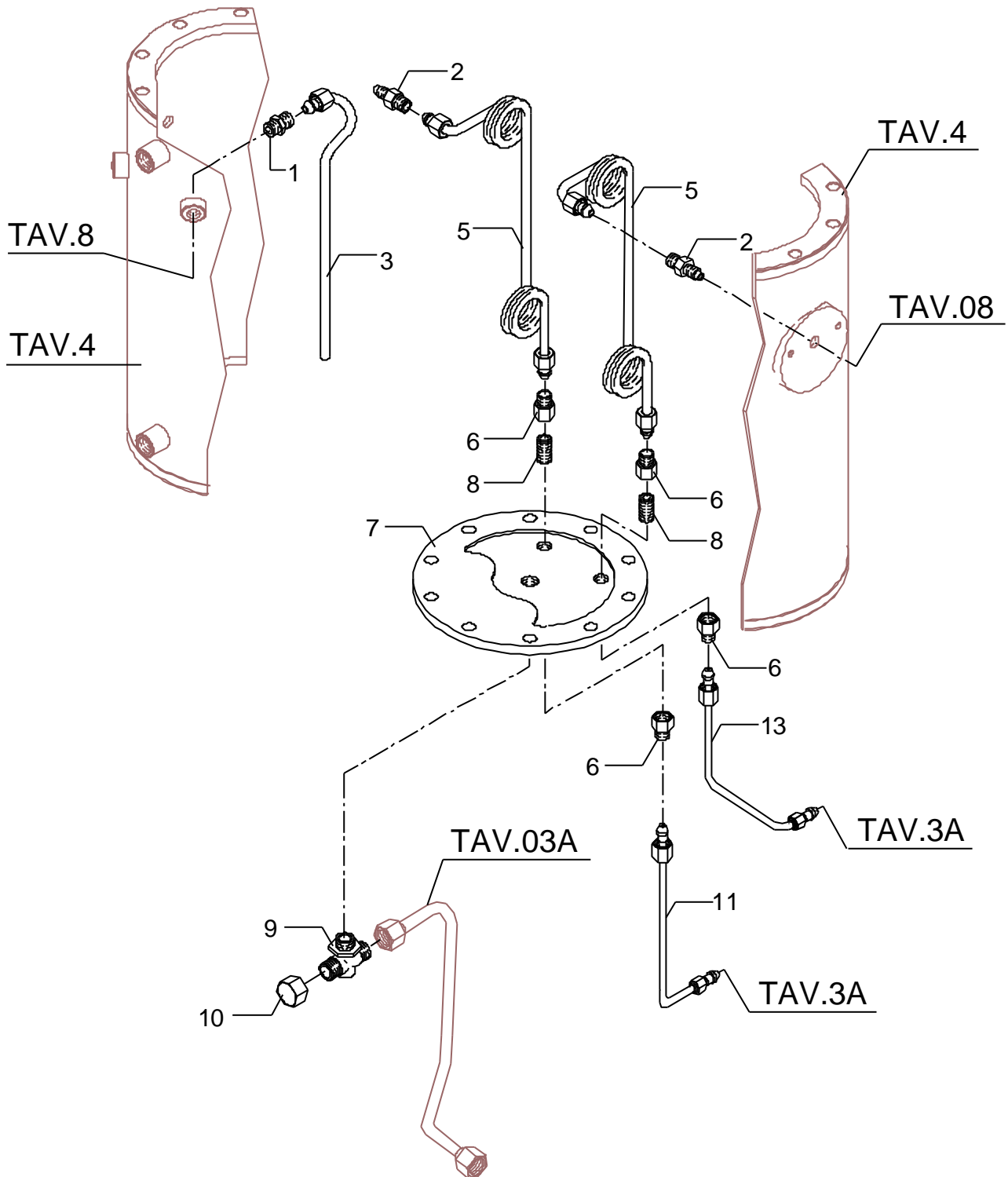


POS	DESCRIPTION	CODE	REFERENCE
1	STRAIGHT FITTING M13 ES.13 H24 OT	5302050	VTE 48
2	FITTING M10 ES.15 H38 OT	5225255	VTE 66
3	WATER TAP SUCTION HOSE	5163077LL	VTE 50
5	RIGHT/LEFT EXCHANGER HOSE DE	5162130LL	-
6	REDUCTION GEAR 1/4"G X M12 ES.16 H22 OT	5302029	F 766
7	BOTTOM FLANGE BOILER D205 OT	5283509	-
8	SPACER 1/4"G H22 OT	5222207	F 1658
9	FITTING 3/8"G OT	5300511	F 701
10	CAP NUT 3/8"G	5221819	F 642
11	SURPRESSION VALVE HOSE/BOILER	5162258LL	-

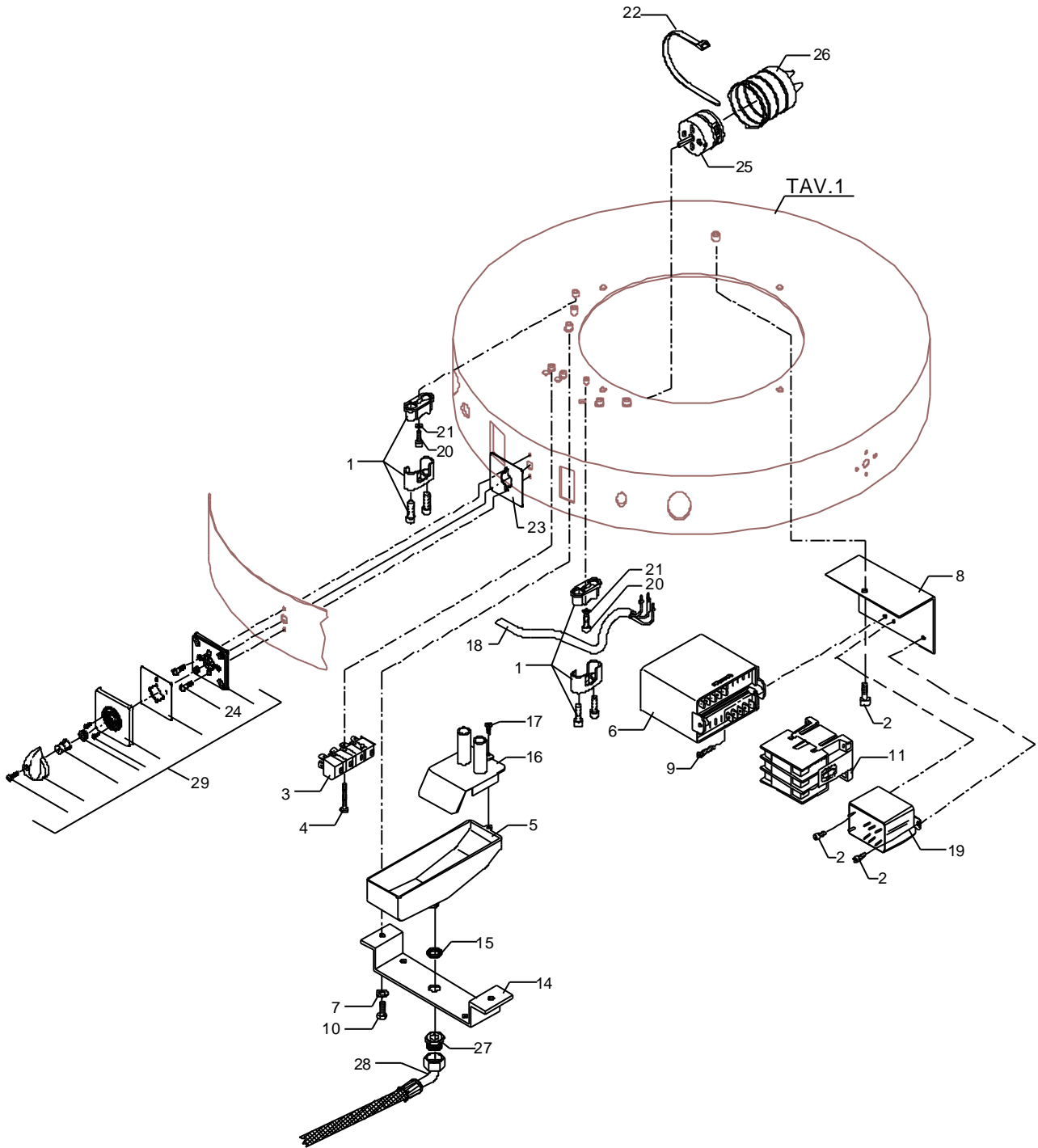




POS	DESCRIPTION	CODE	REFERENCE
1	STRAIGHT FITTING M13 ES.13 H24 OT	5302050	VTE 48
2	FITTING M10 ES.15 H38 OT	5225255	VTE 66
3	WATER TAP SUCTION HOSE	5163077LL	VTE 50
5	RIGHT/LEFT EXCHANGER HOSE DE	5162130LL	-
6	REDUCTION GEAR 1/4"G X M12 ES.16 H22 OT	5302029	F 766
7	BOTTOM FLANGE BOILER D205 OT	5283509	-
8	SPACER 1/4"G H22 OT	5222207	F 1658
9	FITTING 3/8"G OT	5300511	F 701
10	CAP NUT 3/8"G	5221819	F 642
11	FLOW METER HOSE/BOILER-LEFT DE	5162259LL	-
13	FLOW METER HOSE/BOILER-RIGHT DE	5162260LL	-

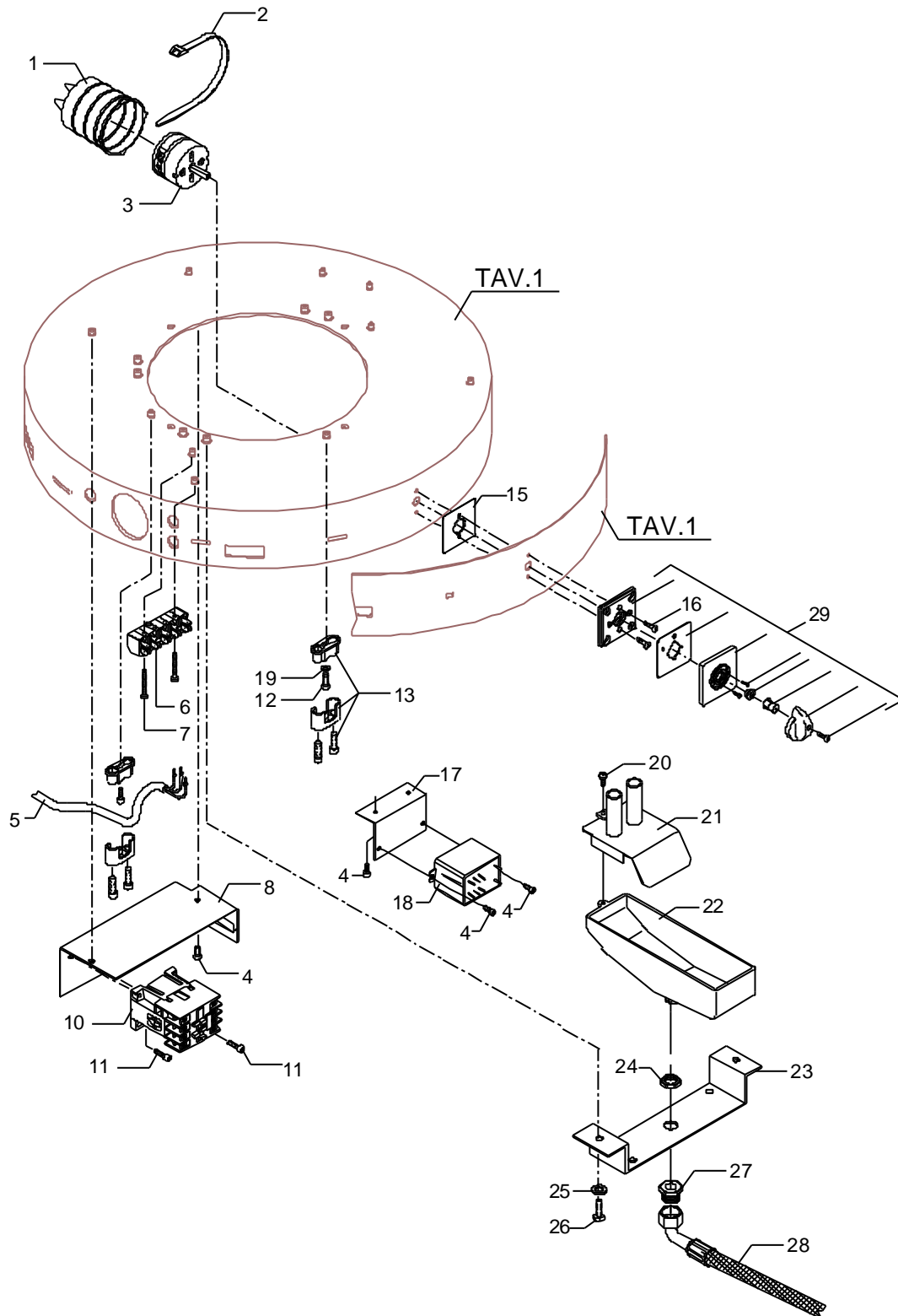


POS	DESCRIPTION	CODE	REFERENCE
1	CABLE-PRESS	7614005	J 518
2	SCREW TCEI M4X10	7816009	F 1572
3	CLAMP 5 CONTACTS KL24/5	7612501	J 496
4	SCREW TE M4X30	7826409	-
5	DRIP TRAY ABS	5374501	F 1209
6	LEVEL REGULATOR 3 PROBES 110/120V	7661033.01	-
6	LEVEL REGULATOR 3 PROBES 220/230V	7661034.01	-
6	LEVEL REGULATOR 3 PROBES 240V	7661035.01	-
7	PLAIN WASHER D6 UNI 6592 FEZN	7805004	-
8	ELECTRIC PARTS SUPPORT	5038408LL	-
9	SCREW TCEI M4X16	7816004	GB/1 783
10	SCREW TE M5X16 UNI 5739 A2	7816412	-
11	REMOTE CONTROL SWITCH 110V (UP TO 15/03/06)	7636901	J 845
11	REMOTE CONTROL SWITCH 220/230V (UP TO 15/03/06)	7636902	J 836
11	REMOTE CONTROL SWITCH 240V (UP TO 15/03/06)	7636903	J 844
14	BRACKET FOR DRIP TRAY	5038102VP	-
15	NUT 3/8"G ES.22 H5 OT	5221826	-
16	DRIP TRAY ABS COVER	5373104LL	-
17	TAPPING SCREW TB D3.9 X 9.5 UNI6954 A2	7809800	-
18	CONNECTING CABLE H07RNF 3X2,5 MM ² L=2MT (220/240V)	3552401	-
18	CABLE SOOW 3X10AWG L=2,2MT (110V-220V USA)	3556003	-
19	2-CONTACT 30A 120V RELAY (FROM 16/03/06)	7635423	-
19	RELAY 30A 240V (FROM 16/03/06)	7635422	-
20	SCREW TCEI M4X12	7816002	-
21	WASHER D4 DIN 6798A A2	7814001	-
22	CLAMP 4.75 X 292 PLASTIC	7611509	-
23	INSULATING	5859911	-
24	SCREW TCI M3.5X1.5	7630901	-
25	BASEMENT SWITCH 1 POS.25A	7633306	-
26	SWTCH PROTECTION PLASTIC	7372503	-
27	FITTING MF 3/4X3/8 OT	5225294	-
28	HOSE D12.7X18.8 3/4FC L=2000MM	7303503	-
29	SWITCH KIT 0 - 1	7633328	-

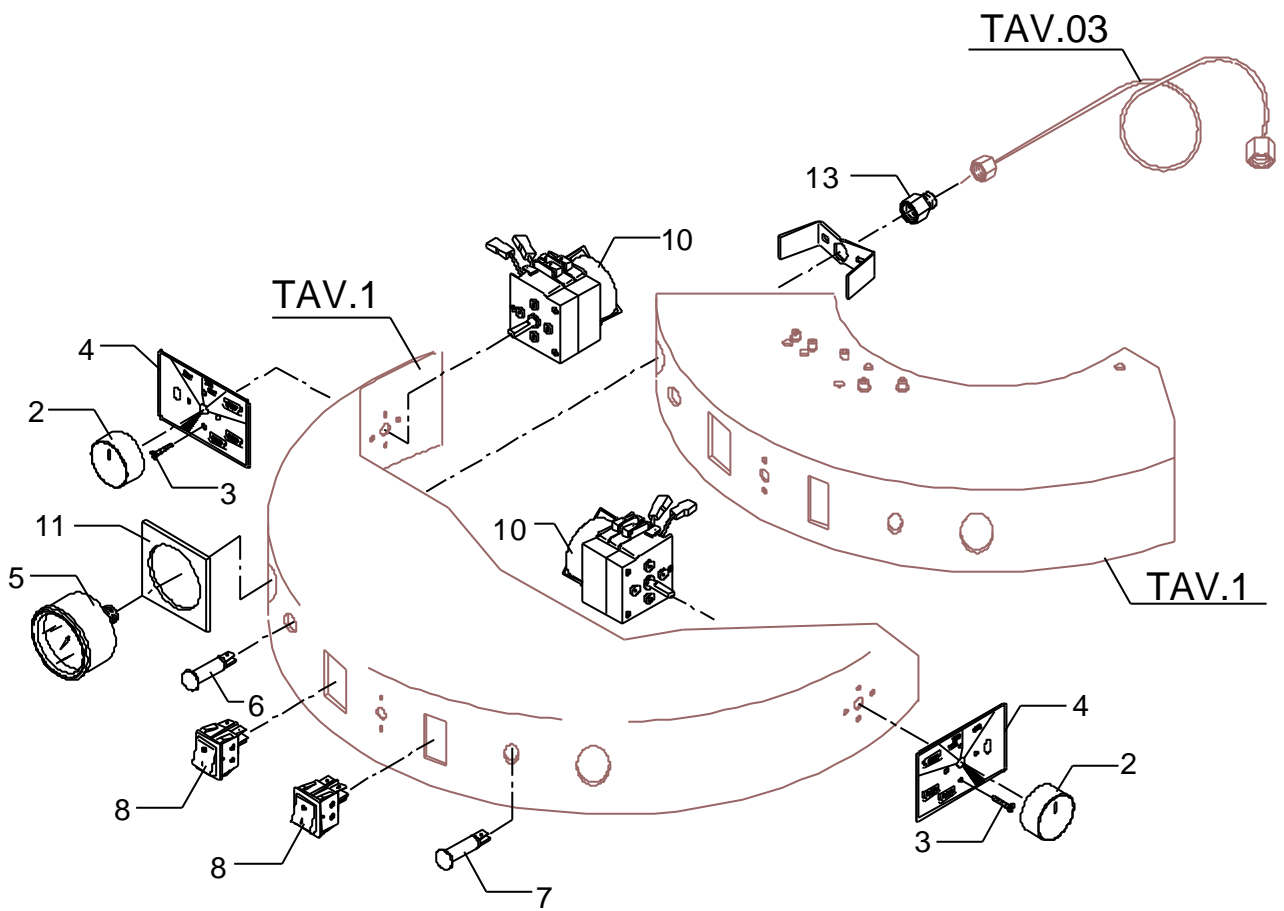




POS	DESCRIPTION	CODE	REFERENCE
1	SWITCH PROTECTION PLASTIC	7372503	J 764
2	CLAMP 4.7 X 292 PLASTIC	7611509	-
3	BASEMENT SWITCH 1 POS.25A	7633306	V 1584
4	SCREW TCEI M4X10	7816009	F 1572
5	CONNECTING CABLE H07RNF 3X2,5 MM ² L=2MT (220/240V)	3552401	-
5	CABLE SOOW 3X10AWG L=2,2MT (110V-220V USA)	3556003	-
6	CLAMP 5 CONTACTS KL24/5	7612501	J 496
7	SCREW TE M4X30	7826409	-
8	REMOTE CONTROL SWITCH SUPPORT (UP TO 15/03/06)	5038411LL	-
10	REMOTE CONTROL SWITCH 110V (UP TO 15/03/06)	7636901	J 845
10	REMOTE CONTROL SWITCH 220/230V (UP TO 15/03/06)	7636902	J 836
10	REMOTE CONTROL SWITCH 240V (UP TO 15/03/06)	7636903	J 844
11	SCREW TCEI M4X16	7816004	GB/1 783
12	SCREW TCEI M4X12	7816002	F 1600
13	CABLE-PRESS	7614005	J 518
15	INSULATING	5859911	-
16	SCREW TCI M3,5X15	7630901	-
17	RELAY SUPPORT (FROM 16/03/06)	5038418LW	-
18	2-CONTACT 30A 120V RELAY (FROM 16/03/06)	7635423	-
18	RELAY 30A 220/240V (FROM 16/03/06)	7635422	-
19	WASHER Ø 4	7814001	-
20	TAPPING SCREW TB D3.9 X 9.5 UNI6954 A2	7809800	-
21	DRIP TRAY ABS COVER	5373104LL	-
22	DRIP TRAY ABS	5374501	-
23	BRACKET FOR DRIP TRAY	5038102VP	-
24	NUT 3/8"G ES.22 H5 OT	5221826	-
25	PLAIN WASHER D6 UNI 6592 FEZN	7805004	-
26	SCREW TE M5X16 UNI 5739 A2	7816412	-
27	FITTING MF 3/4X3/8 OT	5225294	-
28	HOSE D12.7X18.8 3/4FC L=2000MM	7303503	-
29	SWITCH KIT 0 - 1	7633328	-

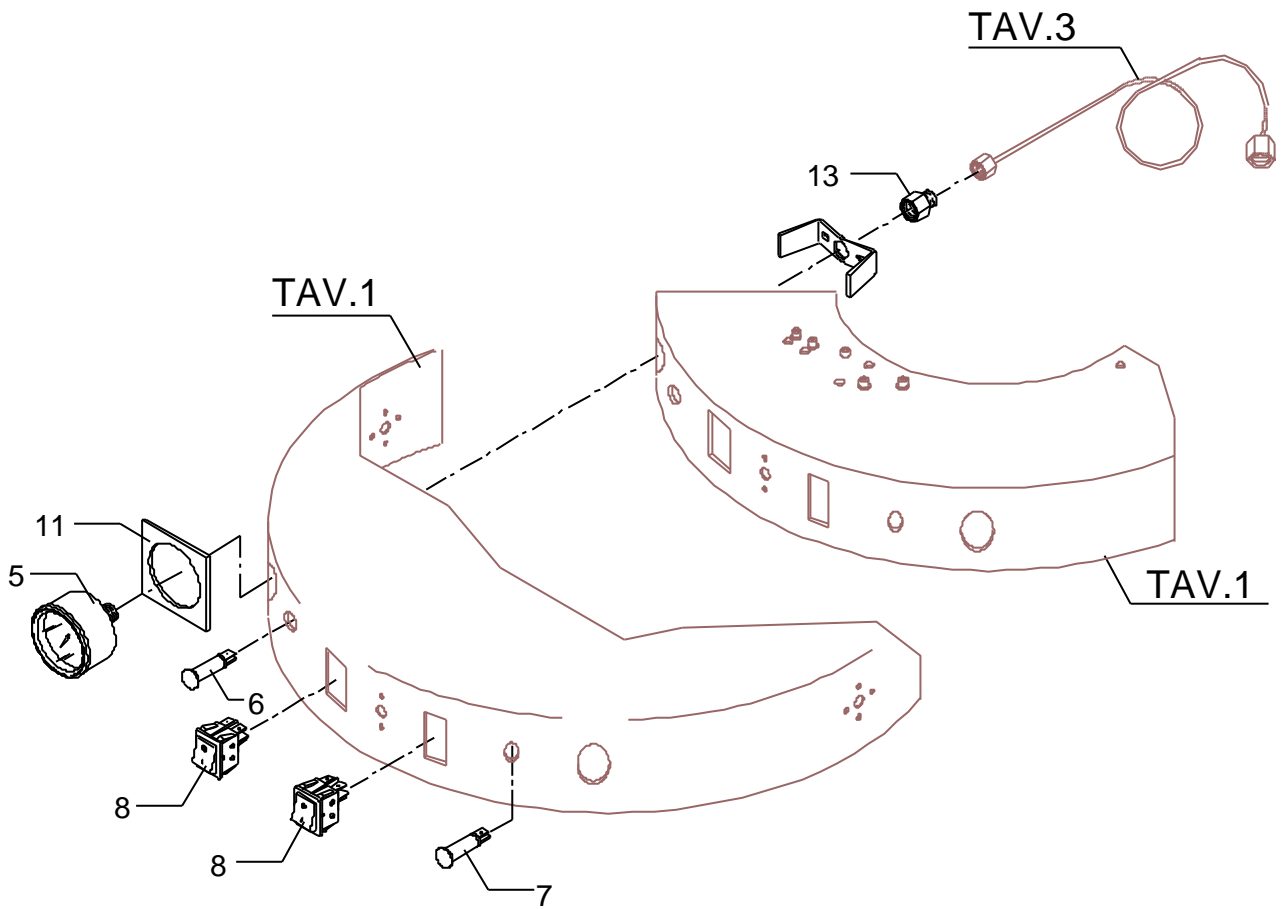


POS	DESCRIPTION	CODE	REFERENCE
2	TIMER KNOB	7371505	J 371
3	SCREW TCI M3X14 UNI 6107 OT	7826203	F 745
4	TIMER LABLE	5522031	V/3 2004
5	PRSSURE GAUGE D52 1/4"G 16 BAR	7432509	VTE 16
6	GREEN LAMP 110V	7633608	VTE 95/110
6	GREEN LAMP 110/240V	7633610	VTE95/220-240
7	ORANGE LAMP 110V	7633607	T 1482/110
7	ORANGE LAMP 110/240V	7633609	T 1482/220
8	BIPOLAR SWITCH WITH GREEN LAMP 220V	7633309.01	-
10	TIMER 110V	7667008	J 367/110
10	TIMER 220/240V	7667012	J 367/220-240
11	PLATE FOR PRESSURE GAUGE	5342008	-
13	REDUCTION GEAR 1/4"G X M12 ES.17 H22 OT	5225405	F 995



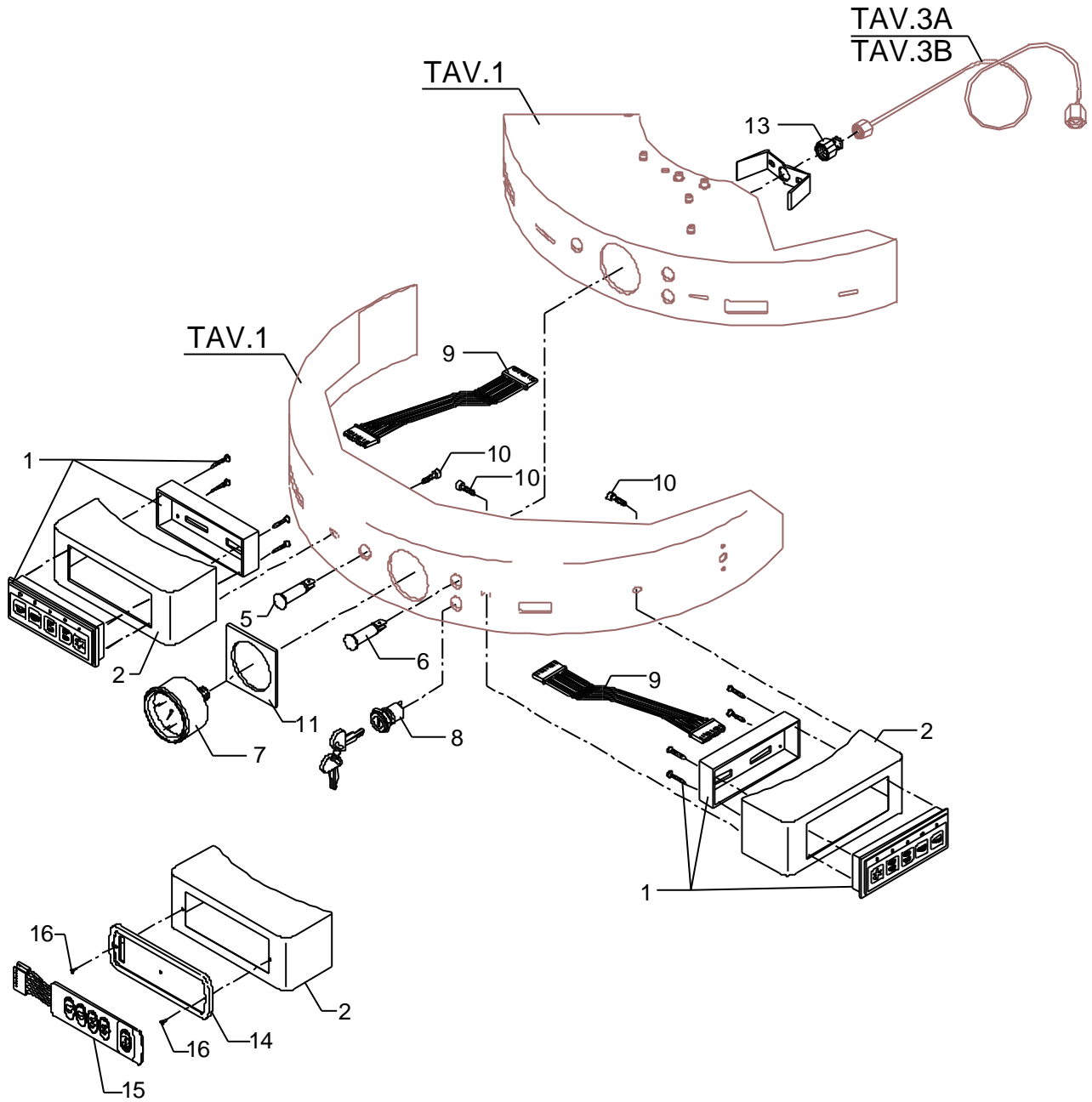


POS	DESCRIPTION	CODE	REFERENCE
5	PRESSURE GAUGE D52 1/4"G 16 BAR	7432509	VTE 16
6	GREEN LAMP 110V	7633608	VTE 95/110
6	GREEN LAMP 110/240V	7633610	VTE95/220-240
7	ORANGE LAMP 110V	7633607	T 1482/110
7	ORANGE LAMP 110/240V	7633609	T 1482/220
8	BIPOLAR SWITCH WITH GREEN LAMP 220V	7633309.01	-
11	PLATE FOR PRESSURE GAUGE	5342008	-
13	REDUCTION GEAR 1/4"G X M12 ES.17 H22 OT	5225405	F 995

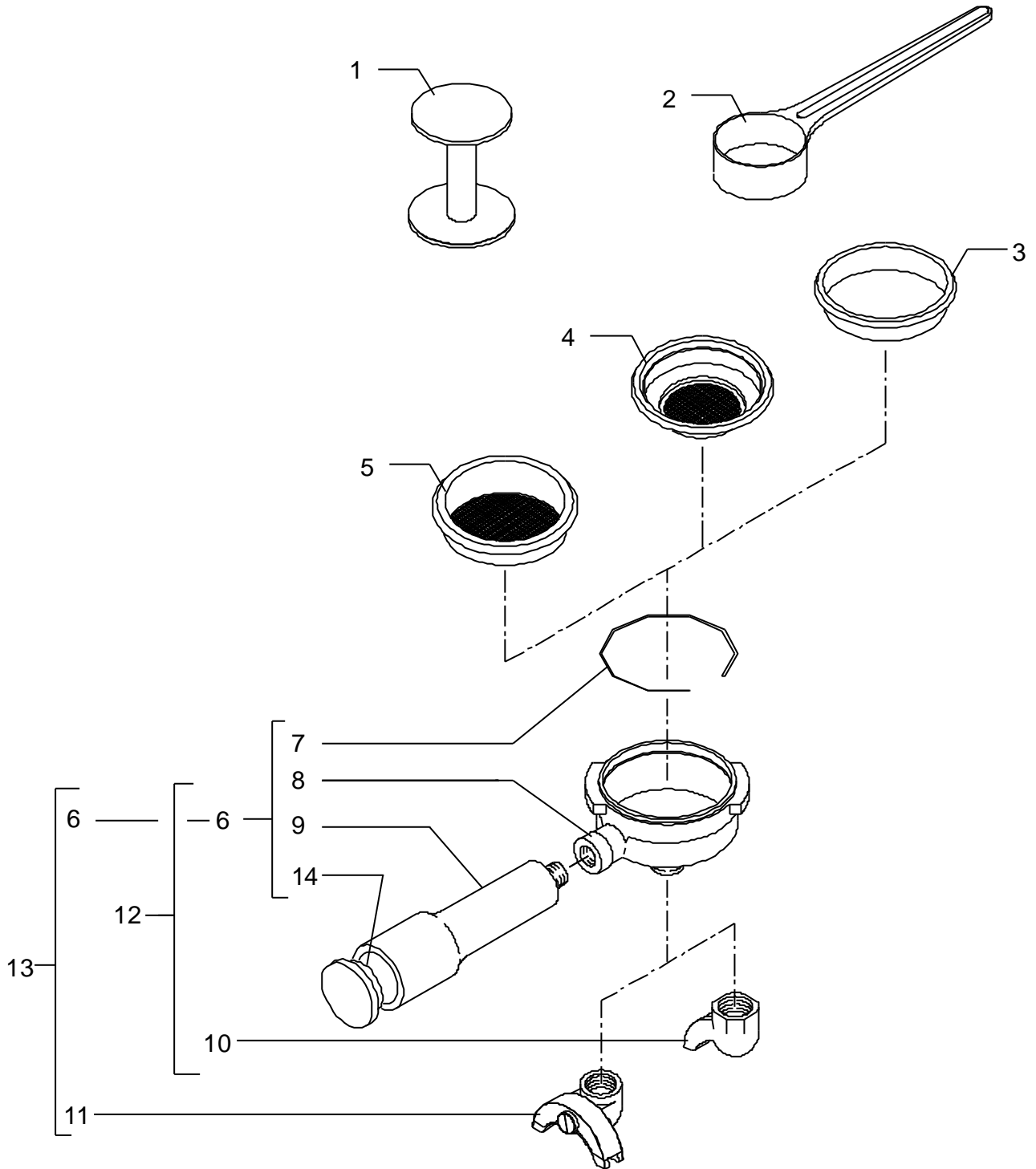




POS	DESCRIPTION	CODE	REFERENCE
1	PUSH-BUTTON PANEL (UP TO 15/03/06)	7665003	X/27 2404
2	ELECTRONIC DOSAGE BOX OT CHROMED	5123003CM	VRTL 13CM
2	ELECTRONIC DOSAGE BOX OT LACQUER	5123003ZP	VRTL 13ZP
5	GREEN LAMP 110V	7633608	VTE 95/110
5	GREEN LAMP 110/240V	7633610	VTE95/220-240
6	ORANGE LAMP 110V	7633607	T 1482/110
6	ORANGE LAMP 110/240V	7633609	T 1482/220
7	PRESSURE GAUGE D52 1/4"G 16 BAR	7432509	VTE 16
8	UNIVERSAL PROGRAMMING KEY	7661503	-
9	CABLE OF PUSH-BUTTON PANEL 1/2" GR. 1100MM (UP TO 15/03/06)	7663513	X/27 2402
9	CONNECTING CABLE 8 POLES 1°/2° GR. 800MM (FROM 16/03/06)	7663552	X/41 2474
10	SCREW TCEI M4X12	7816002	F 1600
11	PLATE FOR PRESSURE GAUGE	5342008	-
13	REDUCTION GEAR 1/4"G X M12 ES.17 H22 OT	5225405	F 995
14	MEMBRANE-HOLDER DE-TE ABS GREY (FROM 16/03/06)	5372701	KEY 114G
15	MEMBRANE DE 5 PUSH BUTTON 130X40 (FROM 16/03/06)	5660502	J 851
15	MEMBRANE TE 5 PUSH BUTTON 130X40	5660504	-
16	SCREW TPS M3X10 UNI 7688 DIN 965 A2 (FROM 16/03/06)	7817803	F 1301



POS	DESCRIPTION	CODE	REFERENCE
1	COFFEE-PRESS ABS	5373001	H 862
2	MEASURER ABS	5372101	H 861
3	BLIND FILTER AISI 304	5471003	H 855
4	FILTER 1 CUP 5 GRAMS	5471010	H 874
4	FILTER 1 CUP 6 GRAMS	5471004	H 856
5	FILTER 2 CUPS 12 GRAMS	5471007	H 852
6	FILTER-HOLDER WITHOUT SPOUT GREY	5965535	H 840
7	SHAPED SPRING D1.4 AISI 302	5471507	H 817
8	FILTER-HOLDER D62	5286007.01CM	-
9	FILTER-HOLDER KNOB	7371502	H 839
10	SPOUT 1 WAY	7305006	-
11	SPOUT 2 WAY	7305007	-
12	ASSEMBLY COMPLETE FILTER-HOLDER 1 CUP	5965514	H 843
13	ASSEMBLY COMPLETE FILTER-HOLDER 2 CUPS	5965515	H 844
14	PLUG	5373915	-

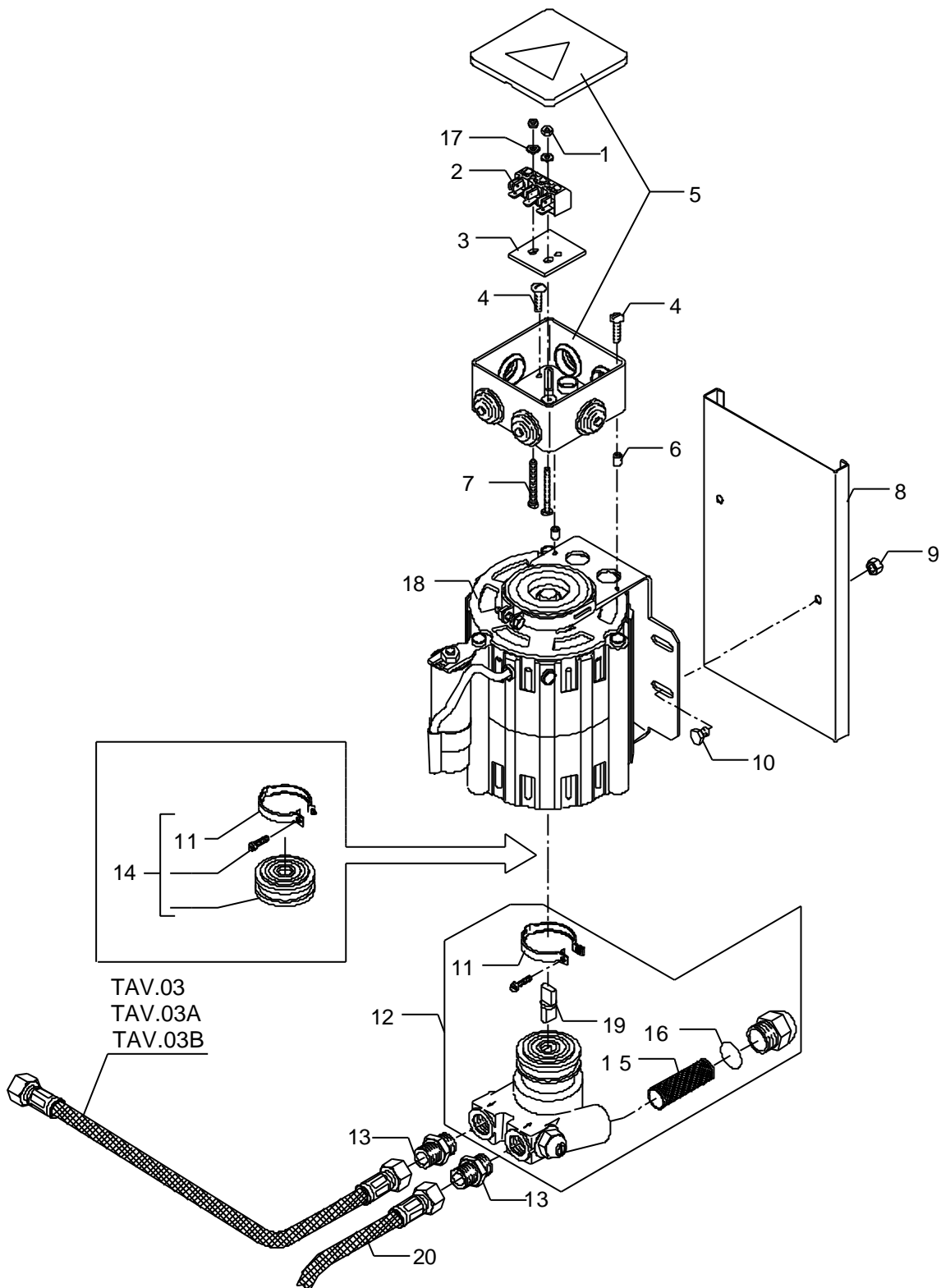




POS	DESCRIPTION	CODE	REFERENCE
1	NUT M4 NYLON	5195001	F 1360
2	CLAMP 3 CONTACTS KL24/3	7612503	J 495
3	PLATE FOR CLAMP	5342007	-
4	SCREW TCI M4X12 UNI 6107 A2	7816201	C 313
5	BOX 80 X 80 X 40	5373304	J 762
6	SPACER PTFE	5191502	-
7	SCREW TE M4X40	7826404	-
8	MOTOR SUPPORT	5038409LW	-
9	NUT M6 UNI 5587 OT	7821403	F 992
10	SCREW TE M6X8 UNI 5739 8.8	7806405ZN	F 829
11	PUMP CLAMP	7611508	Q/1 1352
12	PUMP 100 L/H PA104X 1-2GR	7730506	-
13	STRAIGHT FITTING 3/8"G X 3/8"NPT OT	5302012	F 655
14	PUMP JOINT KIT (NEW)	7730508	-
15	PUMP FILTER	7374005	Q/1 1367
16	OR GASKET FOR PUMP FILTER PROCON	7496048	Q/1 1368
16	OR GASKET FOR PUMP FILTER	7496033	-
17	WASHER D4 NYLON	7374004	F 1361
18	ELECTRIC MOTOR 110V 18MF	7741102	V/5 2032
18	ELECTRIC MOTOR 220/240V 10MF	7742202.01	-
19	PUMP JOINT	7472401	Q/5 1387
20	INOX FLEXIBLE HOSE 3/8"G L=1500	7200504	-

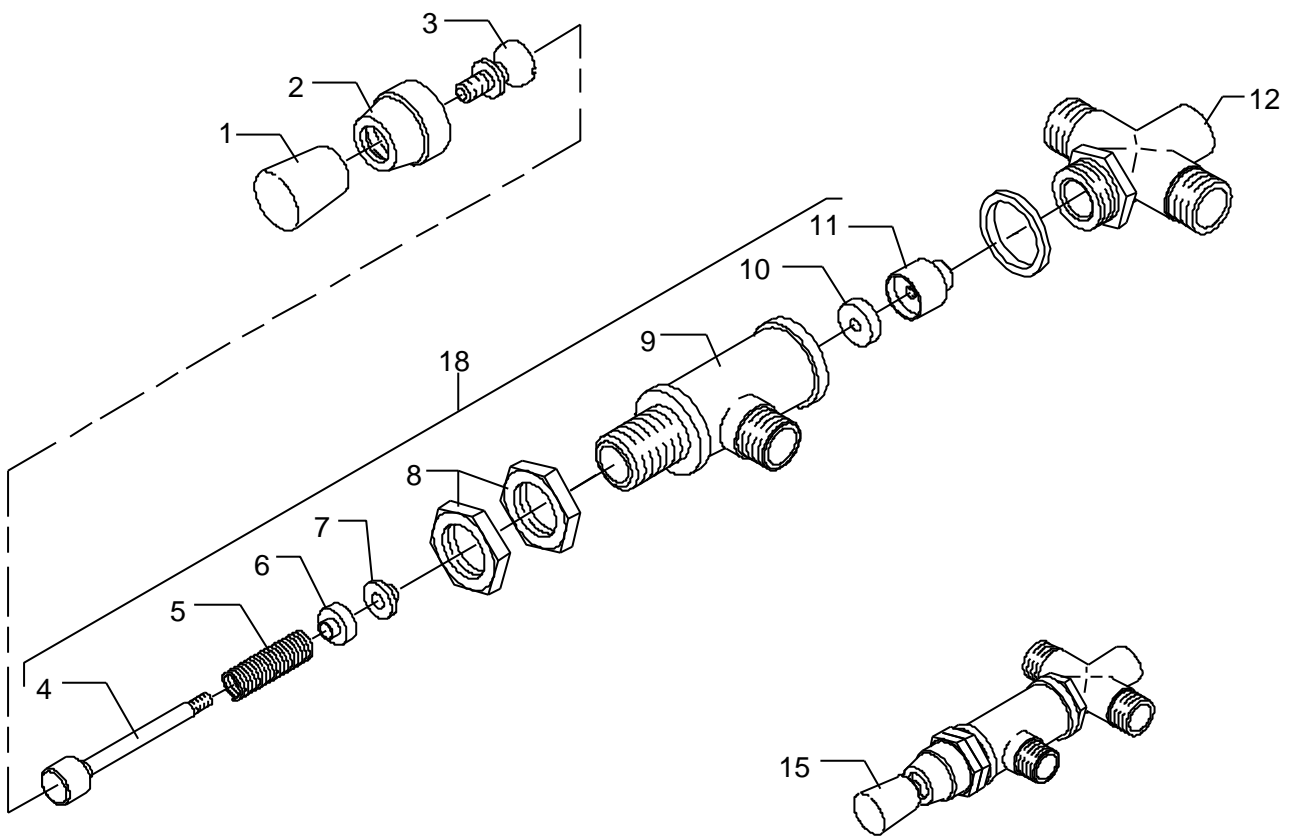
Mod. VERTICALE DE
VERTICALE PM
VERTICALE TP
VERTICALE TE

Tav. 16



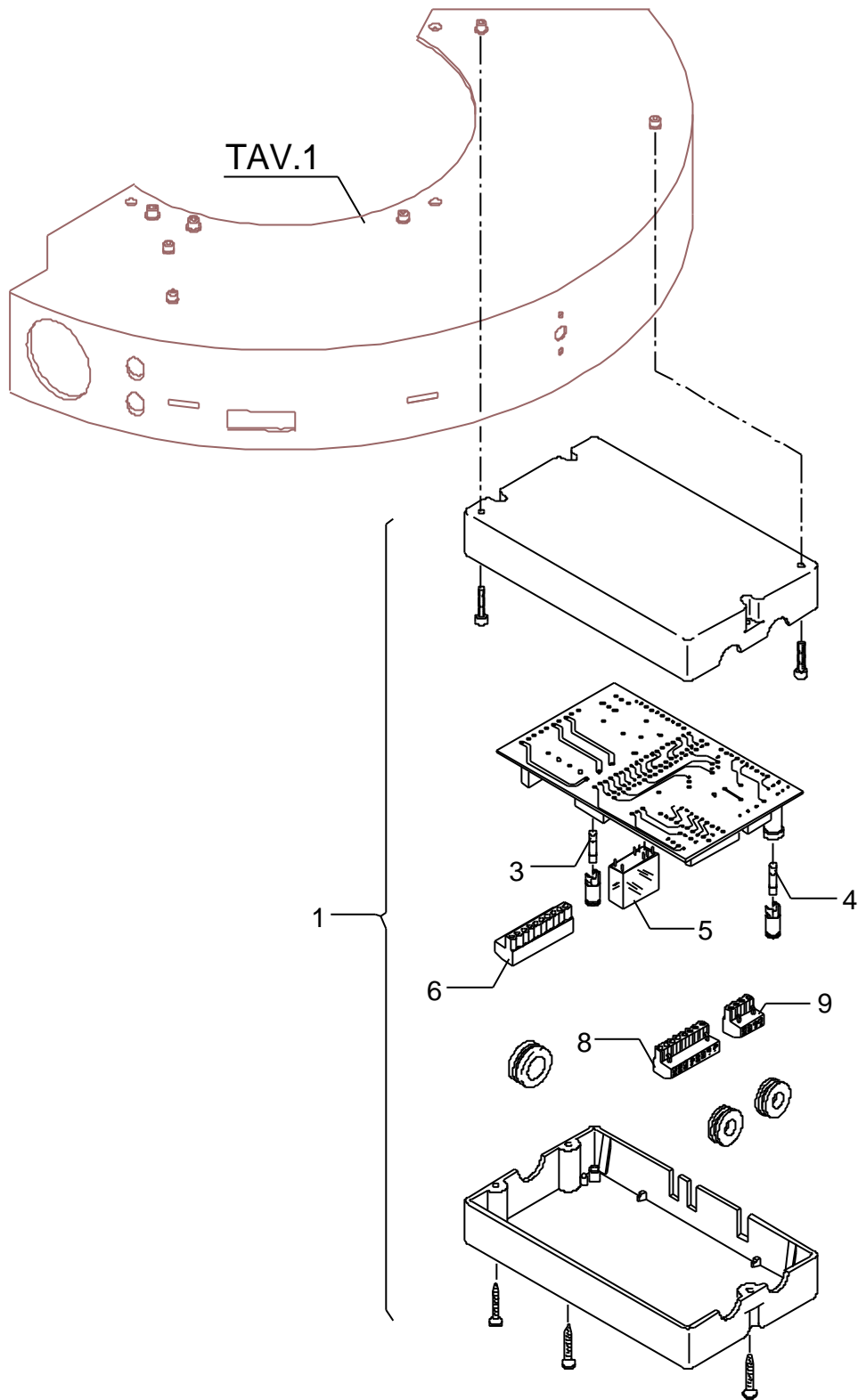


POS	DESCRIPTION	CODE	REFERENCE
1	KNOB M6	7473603	-
2	RING NUT M18 OT CHROMED	5222813CM	L 1128
3	ARTICULATION D14 X 24.5 X M6 AISI 303	5265601	L 1127
4	SHAFT D12 X 65 AISI 303	5260202	L 1125
5	SPRING D9.5 H34.5 AISI 302	5471512	L 1123
6	BUSHING D12 X 7 OT	5220603	L 1122
7	GASKET D12 X 6 PTFE GRAPHITIZED	5494004	L 1121
8	NUT M18 ES.26 H5 OT	5221833	L 1119
9	PUMP BODY OT	5283019	L 1118
10	GASKET D14 X 4 X 4 NBR 70SH	5493013	L 1117
11	GASKET-HOLDER D15 X 16.5 OT	5224607	L 1116
12	FITTING 4 WAY PM	5302510	L 1114C
15	ASSEMBLY PUMP 3 WAY COMPLETE	5964054	L 1130C
18	ASSEMBLY PUMP	5964058	L 1130
19	COPPER GASKET 20 X 26 X 3	5495006	-





POS	DESCRIPTION	CODE	REFERENCE
1	ELECTRONIC DOSAGE B3000 DE/MP 2GR 110/120V	7662549	X/26 2399/110
1	ELECTRONIC DOSAGE B3000 DE/MP 2GR 220/230V	7662584	X/26 2399/220
1	ELECTRONIC DOSAGE B3000 DE/MP 2GR 240V	7662588	X/26 2399/240
3	FUSE 250V 10A	7632705	X/6 2257
4	FUSE 110/120V 80MA	7632703	X/26 2397/110
4	FUSE 220/240V 40MA	7632704	X/26 2397/220
5	RELAY 10A 220V	7635411	X/26 2396
6	FEMALE CONNECTOR 10 POLES	7631522	X/18 2338
8	FEMALE CONNECTOR 8 POLES	7631521	X/18 2335
9	FEMALE CONNECTOR 4 POLES	7631520	X/18 2334





POS	DESCRIPTION	CODE	REFERENCE
1	FUSE 31,5A 220/240V	7632702	J 714/220
1	FUSE 6,3A 110/120V	7632701	J 714/110
2	ELECTRONIC DOSAGE DE 2GR + PROGRAMMING KEY V240 (4GR)	7662515	X/44 2502/240
2	ELECTRONIC DOSAGE DE 2GR + PROGRAMMING KEY V240 (4GR) GM	7662515GM	-
2	ELECTRONIC DOSAGE DE 2GR + PROGRAMMING KEY V110/120 (4GR)	7662513	X/44 2502/110
2	ELECTRONIC DOSAGE DE 2GR + PROGRAMMING KEY V110/120 (4GR) GM	7662513GM	-
2	ELECTRONIC DOSAGE DE 2GR + PROGRAMMING KEY V220/230 (4GR)	7662514	X/44 2502/220
2	ELECTRONIC DOSAGE DE 2GR + PROGRAMMING KEY V220/230 (4GR) GM	7662514GM	-
2	ELECTRONIC DOSAGE TE+PROGRAMMING KEY 110/120V	7662713	-
2	ELECTRONIC DOSAGE TE+PROGRAMMING KEY 110/120V GM	7662713GM	-
2	ELECTRONIC DOSAGE TE+PROGRAMMING KEY 220/230V	7662714	-
2	ELECTRONIC DOSAGE TE+PROGRAMMING KEY 220/230V GM	7662714GM	-
2	ELECTRONIC DOSAGE TE+PROGRAMMING KEY 240V	7662715	-
2	ELECTRONIC DOSAGE TE+PROGRAMMING KEY 240V GM	7662715GM	-
3	ELECTRIC CONNECTOR 12 POLES	7631502	J 716
4	ELECTRIC CONNECTOR 7 POLES	7631501	J 866
5	MEMBRANE-HOLDER DE-TE ABS GREY	5372701	KEY 114G
6	CONNECTING CABLE 8 POLES 1°/2° GR. 800MM	7663552	X/41 2474
7	MEMBRANE DE 5 PUSH BUTTON 130X40	5660502	J 851
7	MEMBRANE TE 5 PUSH BUTTON 130X40	5660504	-
9	STRIP-LINE 7 POLES	7636603	J 671
10	UNIVERSAL PROGRAMMING KEY	7661503	-

