

# VERTICALE-VERO2 from 2009

COD. 9942017.09



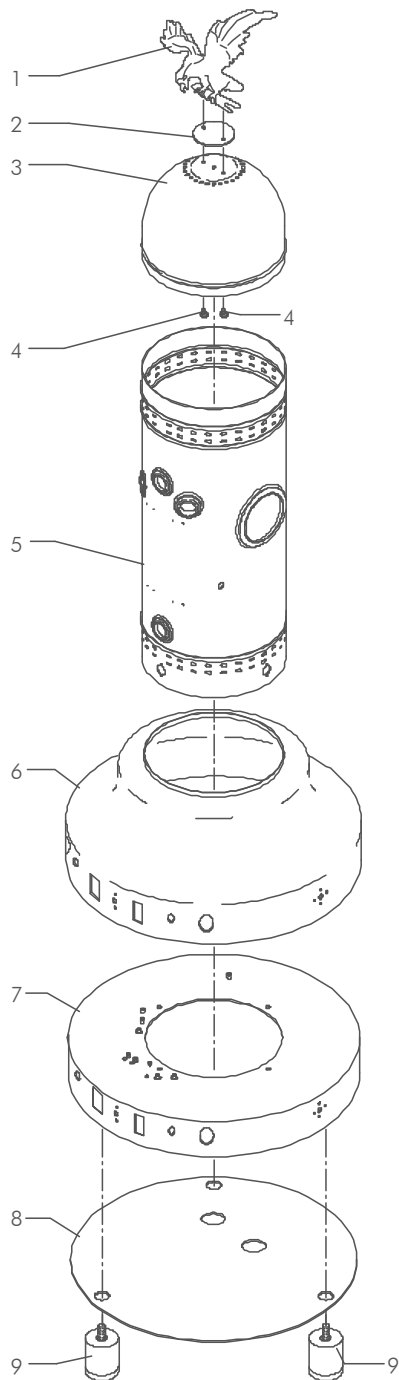
**BEZZERA**

Dal 1901

REV.00

|                | <b>POS</b> | <b>CODE</b>  | <b>DESCRIPTION</b>               |
|----------------|------------|--------------|----------------------------------|
| <b>TABLE 1</b> | 1          | 7991001      | GOLD EAGLE HOLES M6              |
|                | 2          | 5227205CM    | EAGLE FIXING FLANGE CHROMED      |
|                | 2          | 5227205DV    | EAGLE FIXING FLANGE PAINTED GOLD |
|                | 3          | 5121201.01CM | DOME OT CHROMED                  |
|                | 3          | 5121201.01DV | DOME OT PAINTED GOLD             |
|                | 4          | 5227009      | SCREW TP M6X12 OT                |
|                | 5          | 5121706.01CM | BODY OT CHROMED                  |
|                | 5          | 5121706.01DV | BODY OT PAINTED GOLD             |
|                | 6          | 5120903.01CM | BASEMENT MOD. DE CHROMED         |
|                | 6          | 5120903.01DV | BASEMENT MOD. DE PAINTED GOLD    |
|                | 6          | 5120901.01CM | BASEMENT MOD. PM CHROMED         |
|                | 6          | 5120901.01DV | BASEMENT MOD. PM PAINTED GOLD    |
|                | 6          | 5120902.01CM | BASEMENT MOD. TP CHROMED         |
|                | 6          | 5120902.01DV | BASEMENT MOD. TP PAINTED GOLD    |
|                | 7          | 5342005.01LL | BLACK CHASSIS BASEMENT PM-TE     |
|                | 7          | 5342009.01LL | BLACK CHASSIS BASEMENT DE        |
|                | 8          | 5033001      | PROTECTION                       |
|                | 9          | 7474215      | FEET                             |
|                |            |              |                                  |
|                |            |              |                                  |
|                |            |              |                                  |
|                |            |              |                                  |
|                |            |              |                                  |
|                |            |              |                                  |
|                |            |              |                                  |
|                |            |              |                                  |
|                |            |              |                                  |
|                |            |              |                                  |
|                |            |              |                                  |
|                |            |              |                                  |
|                |            |              |                                  |
|                |            |              |                                  |
|                |            |              |                                  |
|                |            |              |                                  |
|                |            |              |                                  |
|                |            |              |                                  |
|                |            |              |                                  |
|                |            |              |                                  |

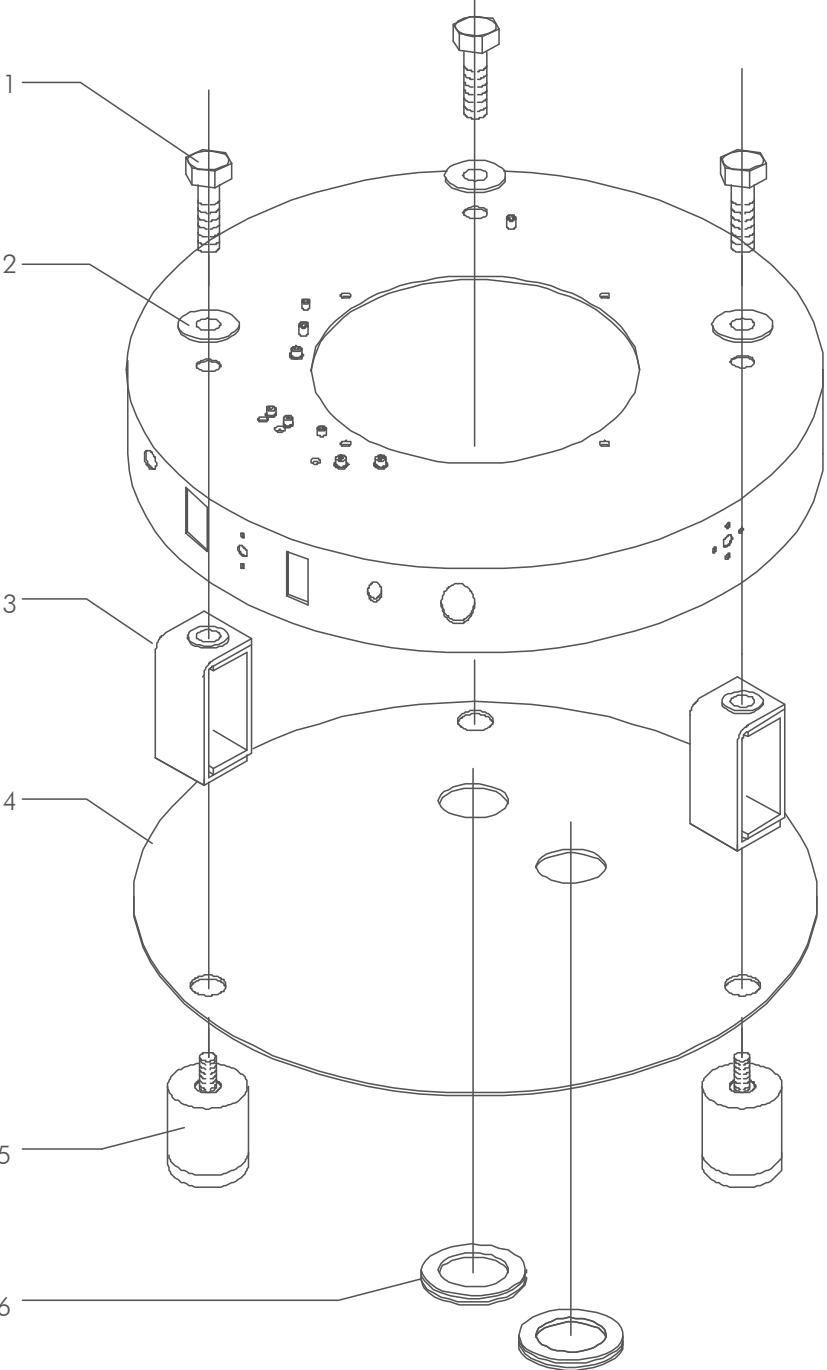
**TABLE 1**  
**Mod. DE - PM - TP - TE**





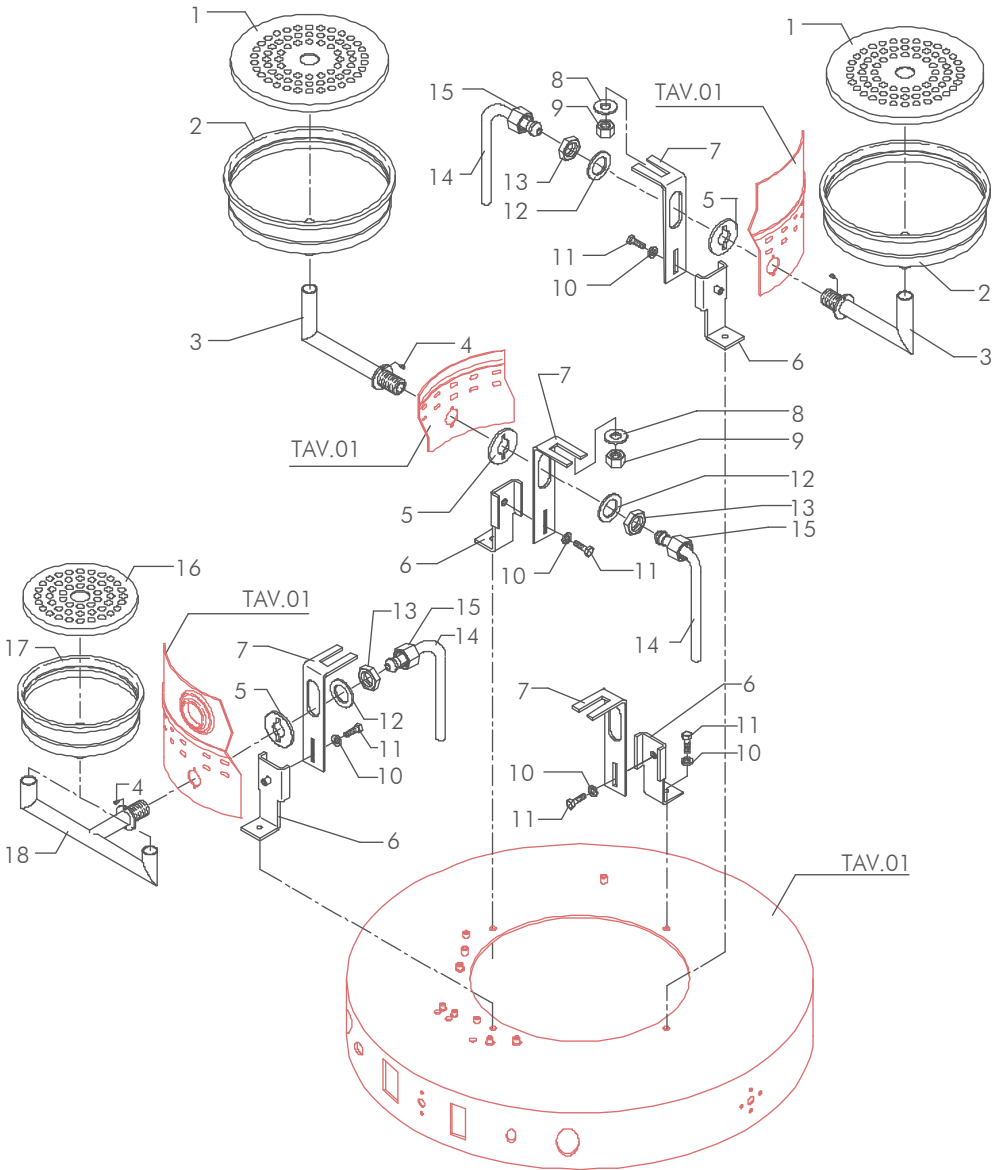
**TABLE 1A**

**Mod. DE - PM - TP - TE**





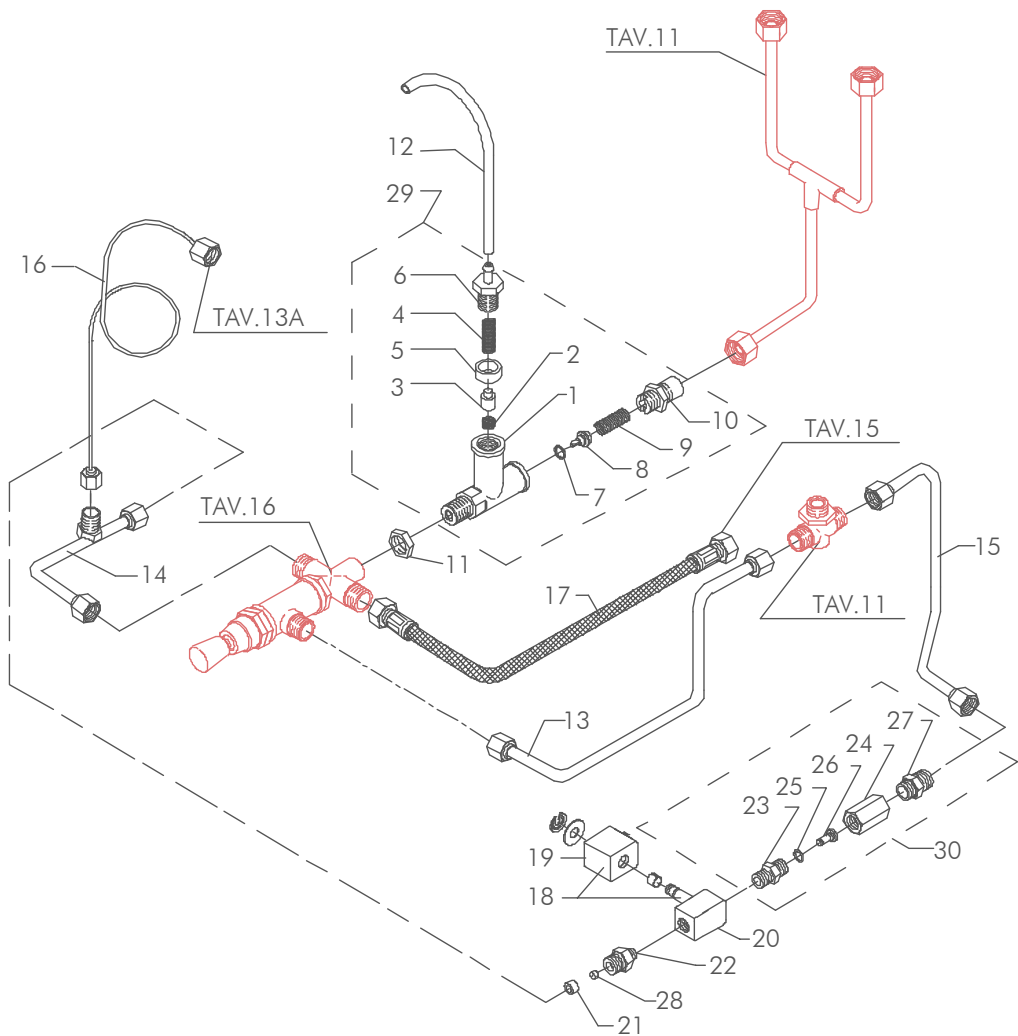
**TABLE 2**  
**Mod. DE - PM - TP - TE**







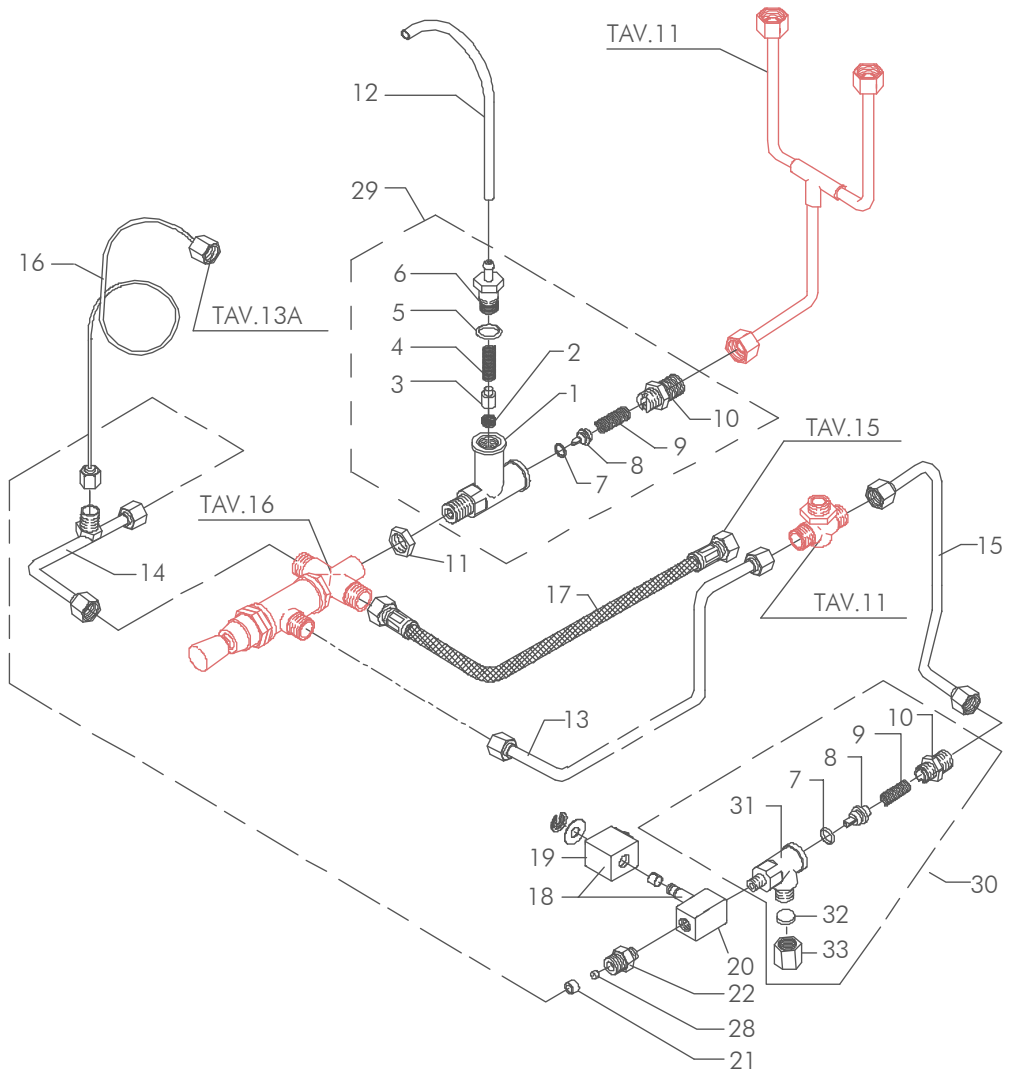
**TABLE 3 (up to 16.02.10)**  
**Mod. PM**





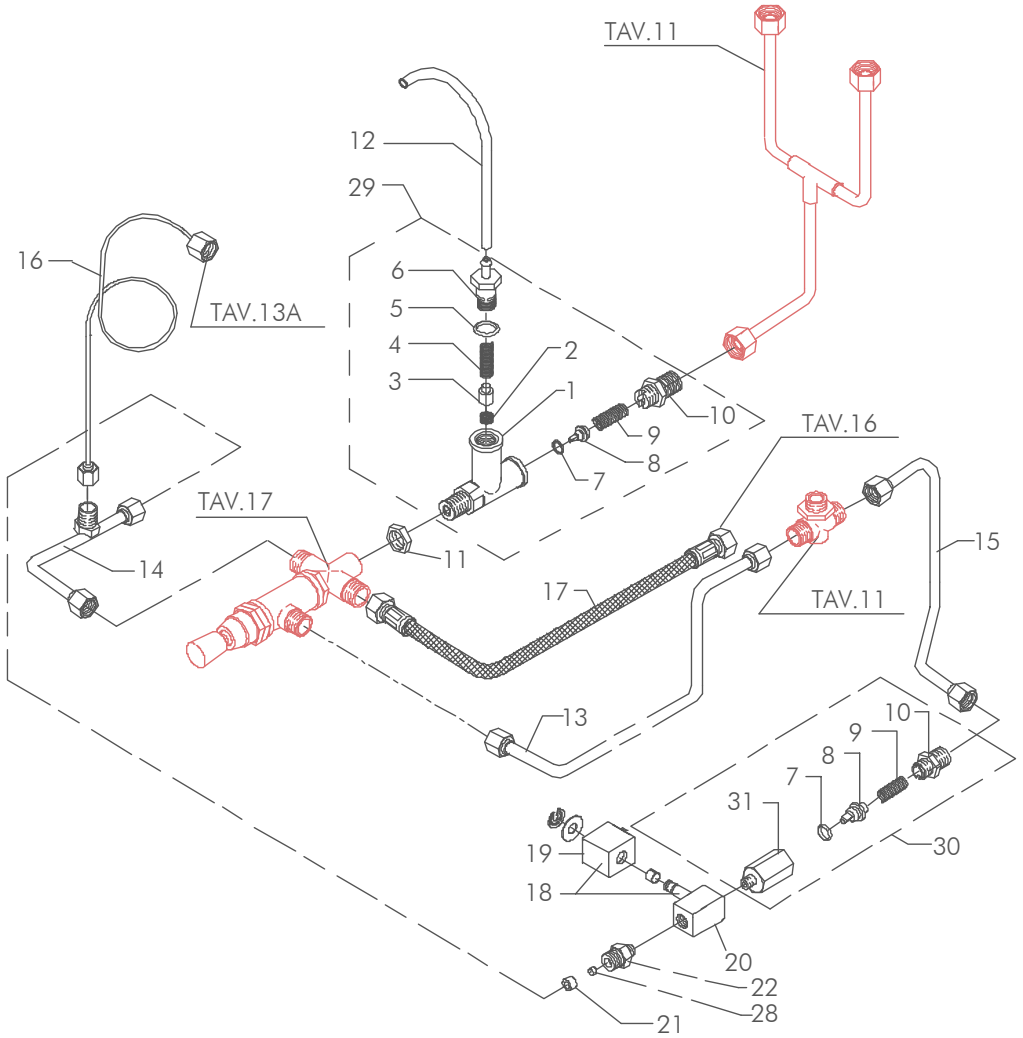
|   | <b>POS</b> | <b>CODE</b> | <b>DESCRIPTION</b>                   |  |
|---|------------|-------------|--------------------------------------|--|
| <b>TABLE 3 (up to 31.08.10) Mod. PM</b> | 1          | 5283048     | SURPRESSION VALVE BODY               |  |
|   | 2          | 5493001     | GASKET D8 X 4 EPT 70SH               |  |
|   | 3          | 5224619TP   | GASKET-HOLDER D5.3 OT                |  |
|   | 4          | 5471506.01  | CALIBRATED SPRING D1.1 H32 AISI 302  |  |
|   | 5          | 7496052     | OR GASKET 114                        |  |
|   | 6          | 5302071     | RUBBER-HOLDER FITTING M12x1 OT       |  |
|   | 7          | 7496018     | OR GASKET 105 VITON                  |  |
|   | 8          | 5224615TP   | GASKET-HOLDER SURPRESSION VALVE      |  |
|   | 9          | 5471505     | CALIBRATED SPRING D0.45 H22 AISI 302 |  |
|   | 10         | 5302018     | FITTING M12 X M13 ES.16 H26.5 OT     |  |
|   | 11         | 5221821     | NUT 1/4"G H5 OT                      |  |
|   | 12         | 5194554     | HOSE Ø8X5 L=250MM SILICONE           |  |
|   | 13         | 5164070LL   | LOAD HOSE PM                         |  |
|   | 14         | 5162267LL   | INLET AUTOMATIC LEVEL HOSE PM        |  |
|   | 15         | 5162262LL   | OUTLET HOSE L/A DE                   |  |
|   | 16         | 7400901     | CAPILLARY 1.72X2.51X500 1/8" M12X1   |  |
|   | 17         | 7200504     | INOX FLEXIBLE HOSE 3/8"G L=1500      |  |
|   | 18         | 7702312     | SOLENOID VALVE 2 WAY 220/240V PARKER |  |
|   | 18         | 7701114     | SOLENOID VALVE 2 WAY 110V PARKER     |  |
|   | 19         | 7630325     | SOLENOID VALVE COIL 220/240V PARKER  |  |
|   | 19         | 7630324     | SOLENOID VALVE COIL 110V PARKER      |  |
|   | 20         | 7703011     | SOLENOID VALVE WITHOUT COIL PARKER   |  |
|   | 21         | 5471019     | FILTER D8,5X5 AISI304                |  |
|   | 22         | 5225238     | FITTING M13X1/8"G ES.15 H23.5 OT     |  |
|   | 28         | 5223003     | JET M6 X 6 HOLE D0.8 OT              |  |
|   | 29         | 5965164     | ASSEMBLY SURPRESSION VALVE 12BAR     |  |
|   | 30         | 5965076     | COMPLETE CHECK VALVE                 |  |
|   | 31         | 5283042     | CHECK VALVE BODY                     |  |
|   | 32         | 5492008     | GASKET D10.5 X 2                     |  |
|   | 33         | 5221813     | PLUG M12X1 OT                        |  |
|   |            |             |                                      |  |
|   |            |             |                                      |  |
|   |            |             |                                      |  |
|   |            |             |                                      |  |
|   |            |             |                                      |  |
|   |            |             |                                      |  |
|   |            |             |                                      |  |
|   |            |             |                                      |  |
|   |            |             |                                      |  |
|   |            |             |                                      |  |
|   |            |             |                                      |  |
|   |            |             |                                      |  |
|   |            |             |                                      |  |
|   |            |             |                                      |  |
|   |            |             |                                      |  |
|   |            |             |                                      |  |
|   |            |             |                                      |  |
|   |            |             |                                      |  |
|   |            |             |                                      |  |
|   |            |             |                                      |  |
|   |            |             |                                      |  |
|   |            |             |                                      |  |
|   |            |             |                                      |  |
|   |            |             |                                      |  |
|   |            |             |                                      |  |
|   |            |             |                                      |  |
|   |            |             |                                      |  |
|   |            |             |                                      |  |

**TABLE 3 (up to 31.08.10)**  
**Mod. PM**



|  | <b>POS</b> | <b>CODE</b> | <b>DESCRIPTION</b>                   |  |
|--|------------|-------------|--------------------------------------|--|
| <b>TABLE 3 (from 01.09.10) Mod. PM</b> | 1          | 5283048     | SURPRESSION VALVE BODY               |  |
|  | 2          | 5493001     | GASKET D8 X 4 EPT 70SH               |  |
|  | 3          | 5224619TP   | GASKET-HOLDER D5.3 OT                |  |
|  | 4          | 5471506.01  | CALIBRATED SPRING D1.1 H32 AISI 302  |  |
|  | 5          | 7496052     | OR GASKET 114                        |  |
|  | 6          | 5302071     | RUBBER-HOLDER FITTING M12x1 OT       |  |
|  | 7          | 7496018     | OR GASKET 105 VITON                  |  |
|  | 8          | 5224615TP   | GASKET-HOLDER SURPRESSION VALVE      |  |
|  | 9          | 5471505     | CALIBRATED SPRING D0.45 H22 AISI 302 |  |
|  | 10         | 5302018     | FITTING M12 X M13 ES.16 H26.5 OT     |  |
|  | 11         | 5221821     | NUT 1/4"G H5 OT                      |  |
|  | 12         | 5194554     | HOSE Ø8X5 L=250MM SILICONE           |  |
|  | 13         | 5164070LL   | LOAD HOSE PM                         |  |
|  | 14         | 5162267LL   | INLET AUTOMATIC LEVEL HOSE PM        |  |
|  | 15         | 5162262LL   | OUTLET HOSE L/A DE                   |  |
|  | 16         | 7400901     | CAPILLARY 1.72X2.51X500 1/8" M12X1   |  |
|  | 17         | 7200504     | INOX FLEXIBLE HOSE 3/8"G L=1500      |  |
|  | 18         | 7702312     | SOLENOID VALVE 2 WAY 220/240V PARKER |  |
|  | 18         | 7701114     | SOLENOID VALVE 2 WAY 110V PARKER     |  |
|  | 19         | 7630325     | SOLENOID VALVE COIL 220/240V PARKER  |  |
|  | 19         | 7630324     | SOLENOID VALVE COIL 110V PARKER      |  |
|  | 20         | 7703011     | SOLENOID VALVE WITHOUT COIL PARKER   |  |
|  | 21         | 5471019     | FILTER D8,5X5 AISI304                |  |
|  | 22         | 5225238     | FITTING M13X1/8"G ES.15 H23.5 OT     |  |
|  | 28         | 5223003     | JET M6 X 6 HOLE D0.8 OT              |  |
|  | 29         | 5965164     | ASSEMBLY SURPRESSION VALVE 12BAR     |  |
|  | 30         | 5965076.01  | COMPLETE CHECK VALVE                 |  |
|  | 31         | 5221416     | CHECK VALVE BODY                     |  |
|  |            |             |                                      |  |
|  |            |             |                                      |  |
|  |            |             |                                      |  |
|  |            |             |                                      |  |
|  |            |             |                                      |  |
|  |            |             |                                      |  |
|  |            |             |                                      |  |
|  |            |             |                                      |  |
|  |            |             |                                      |  |
|  |            |             |                                      |  |
|  |            |             |                                      |  |
|  |            |             |                                      |  |
|  |            |             |                                      |  |
|  |            |             |                                      |  |
|  |            |             |                                      |  |
|  |            |             |                                      |  |
|  |            |             |                                      |  |
|  |            |             |                                      |  |
|  |            |             |                                      |  |

**TABLE 3 (from 01.09.10)**  
**Mod. PM**



| <b>POS</b> | <b>CODE</b> | <b>DESCRIPTION</b>                      |
|------------|-------------|---|
| 1          | 7496020     | OR GASKET 2112 VITON                    |
| 2          | 7431001     | FLOW METER + AUT. WITH LED              |
| 3          | 5471001     | NET FILTER D11 AISI 304                 |
| 4          | 5191501     | SPACER D11X8X6.5 PTFE                   |
| 5          | 5302009     | STRAIGHT FITTING M12 X 1/4"G H24 OT     |
| 6          | 5221821     | NUT 1/4"G H5 OT                         |
| 7          | 5283048     | SURPRESSION VALVE BODY                  |
| 8          | 5493001     | GASKET D8 X 4 EPT 70SH                  |
| 9          | 5224615TP   | GASKET-HOLDER                           |
| 10         | 5471505     | CALIBRATED SPRING D0.45 H22 AISI 302    |
| 11         | 5302018     | STRAIGHT FITTING M12XM13 ES.16 H26.5 OT |
| 12         | 5224619TP   | GASKET-HOLDER D5.3 OT                   |
| 13         | 5471506.01  | CALIBRATED SPRING D1.1 H32 AISI 302     |
| 14         | 7496052     | OR GASKET 114                           |
| 15         | 5302071     | RUBBER-HOLDER FITTING M12x1 OT          |
| 16         | 5194554     | SURPRESSION VALVE DRAIN HOSE            |
| 17         | 5999906     | WASHER D20 X 30                         |
| 18         | 5302014     | FITTING M13X1/8"G ES.15 H23.5 OT        |
| 19         | 5965164     | ASSEMBLY SURPRESSION VALVE 12BAR        |
| 20         | 7400901     | CAPILLARY 1.27X2.51X500 1/8" M12X1      |
| 21         | 7631505     | FLOW METER CONNECTOR                    |
| 22         | 7816405     | SCREW TE M4X12 UNI 5739 A2              |
| 23         | 7200504     | INOX FLEXIBLE HOSE 3/8"G L=1500         |
| 24         | 5162261LL   | INLET AUTOMATIC LEVEL HOSE DE           |
| 25         | 5038105LW   | BRACKET FOR FLOW METER                  |
| 26         | 7815003     | PLAIN WASHER D5 UNI 6592 A2             |
| 27         | 5162257LL   | SURPRESSION VALVE / CONT. VOL. DE       |
| 28         | 7496018     | OR GASKET 105 VITON                     |
| 29         | 5302501     | MULTIPLE FITTING 5 WAY OT (DE)          |
| 30         | 5221823     | NUT M20x1.25 ES.26 H5 OT                |
| 31         | 5226405TP   | PLUG 1/4"G ES.16 H13 OT                 |
| 32         | 5302061     | FITTING MF 3/8X1/4 OT                   |
| 33         | 5471002     | FILTER D13.5 H11 AISI 304               |
| 34         | 7702312     | SOLENOID VALVE 2 WAY 220/240V PARKER    |
| 34         | 7701114     | SOLENOID VALVE 2 WAY 110V PARKER        |
| 35         | 7630325     | SOLENOID VALVE COIL 220/240V PARKER     |
| 35         | 7630324     | SOLENOID VALVE COIL 110V PARKER         |
| 36         | 5225238     | FITTING M13X1/8"G ES.15 H23.5 OT        |
| 37         | 7703011     | SOLENOID VALVE WITHOUT COIL PARKER      |
| 38         | 5471019     | FILTER D8.5X5 AISI304                   |
| 39         | 7304502LLTR | FITTING SERTO 1/8"G                     |
| 40         | 7496035     | OR GASKET D4.2 X 1.9 VITON              |
| 41         | 5224002     | STUD D8.5 X 17.5 OT                     |
| 42         | 5302015     | FITTING 1/8"G OT                        |
| 43         | 5223003     | JET M6 X 6 HOLE D0.8 OT                 |
| 44         | 5223018.01  | COMPLETE CHECK VALVE                    |

**TABLE 3A (up to 16.02.10)**  
**Mod. DE**

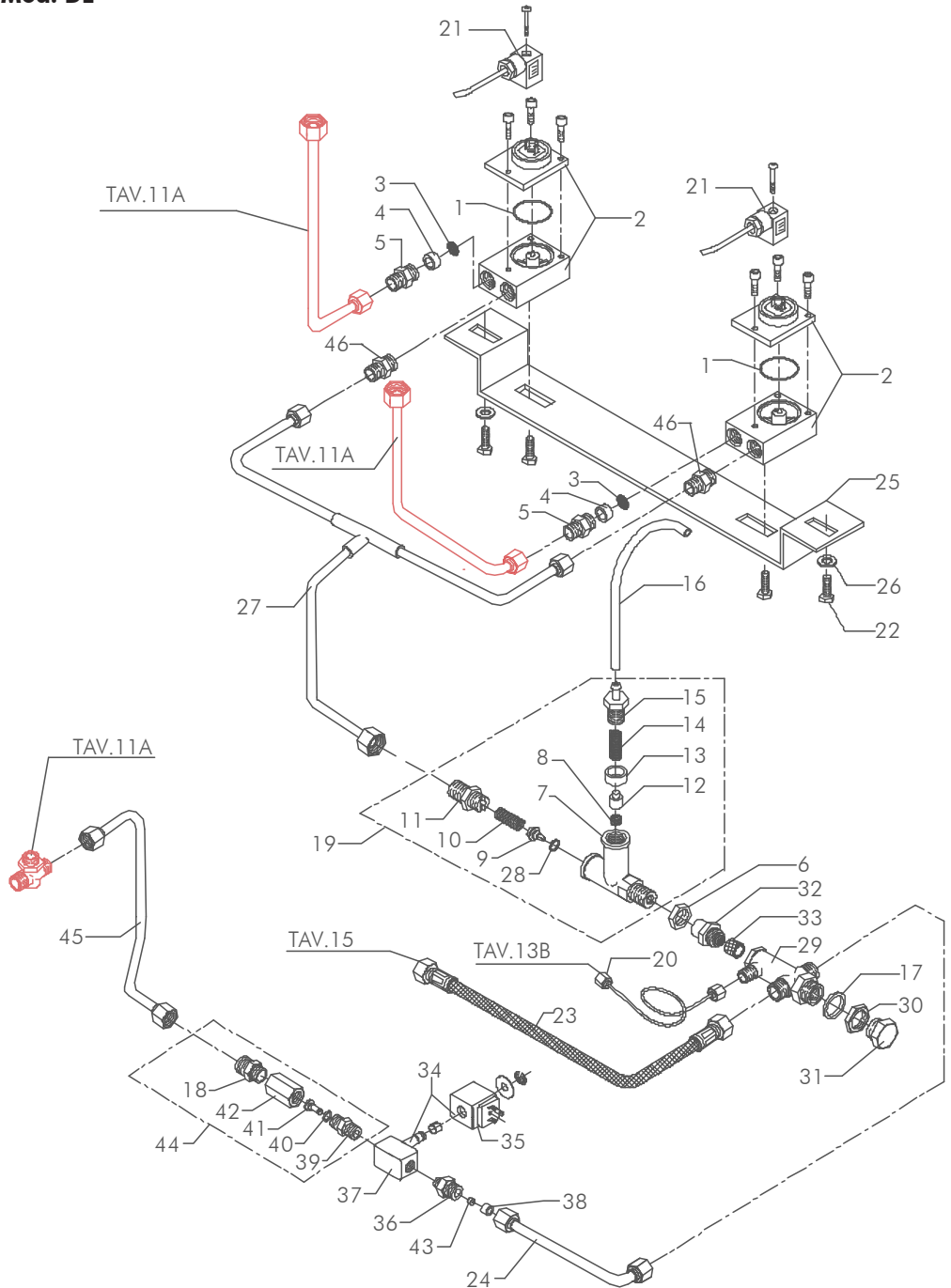
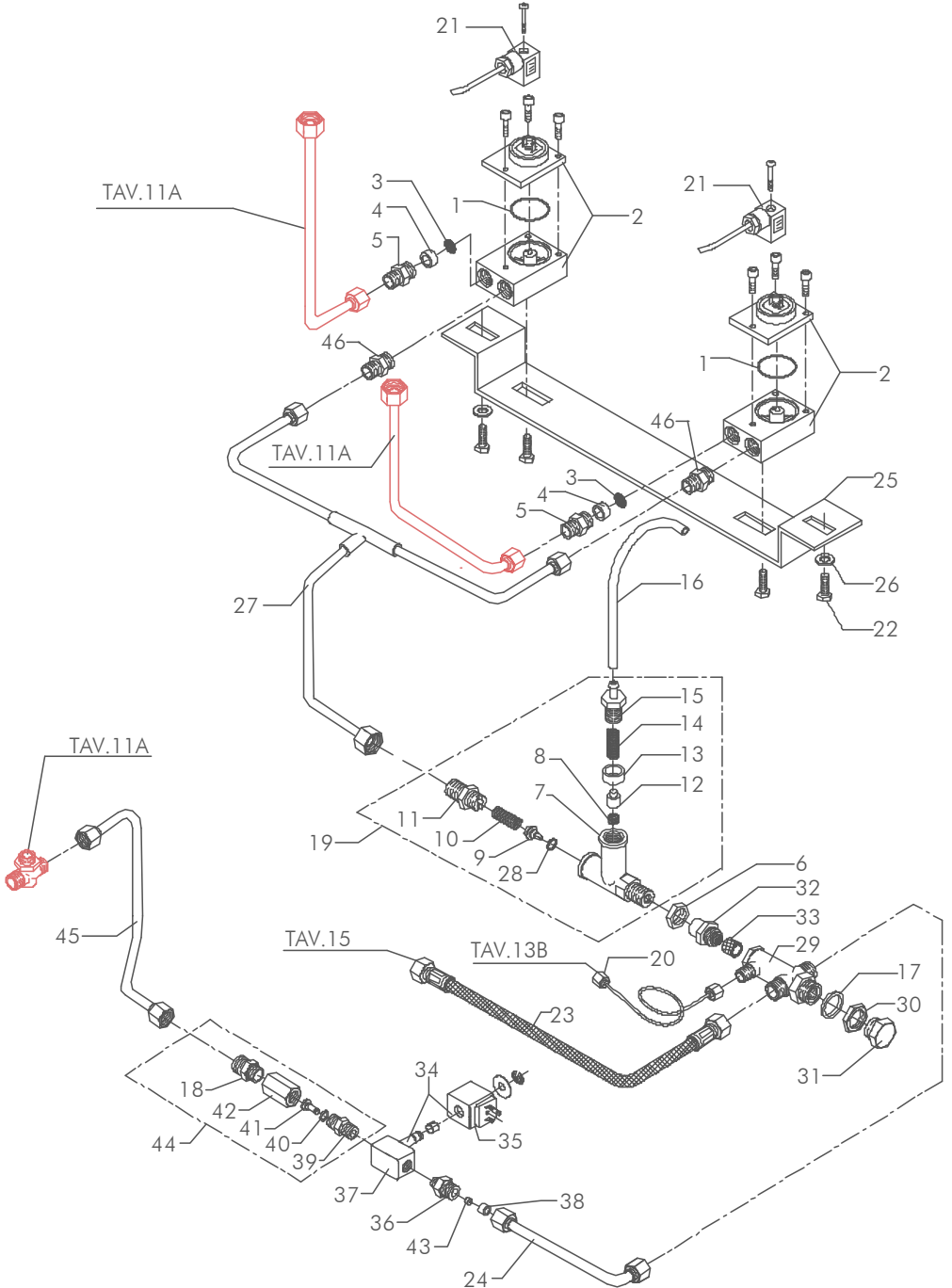






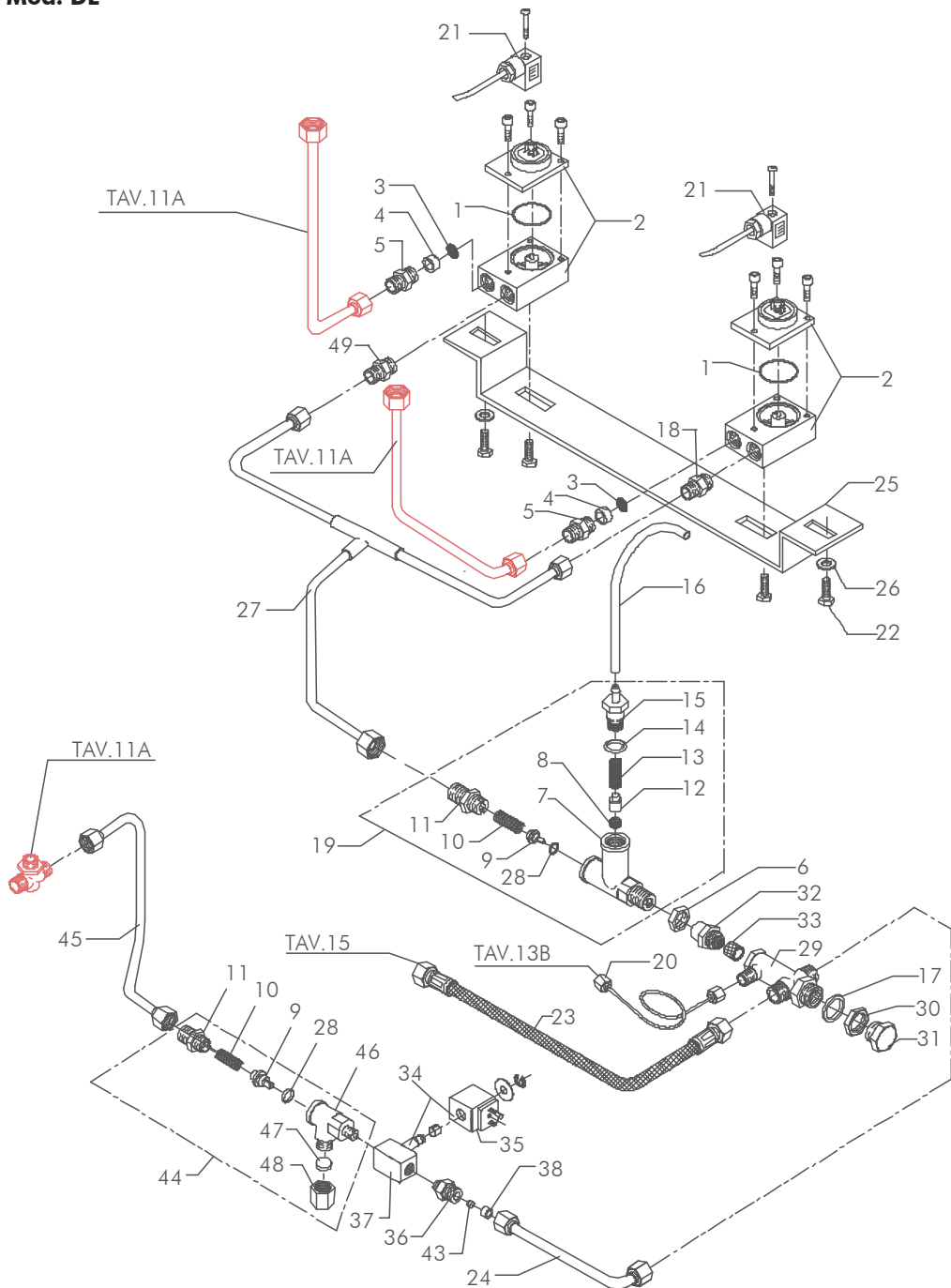
TABLE 3A (up to 16.02.10)  
Mod. DE



| <b>POS</b> | <b>CODE</b> | <b>DESCRIPTION</b>                      |
|------------|-------------|---|
| 1          | 7496020     | OR GASKET 2112 VITON                    |
| 2          | 7431001     | FLOW METER + AUT. WITH LED              |
| 3          | 5471001     | NET FILTER D11 AISI 304                 |
| 4          | 5191501     | SPACER D11X8X6.5 PTFE                   |
| 5          | 5302009     | STRAIGHT FITTING M12 X 1/4" G H24 OT    |
| 6          | 5221821     | NUT 1/4" G H5 OT                        |
| 7          | 5283048     | SURPRESSION VALVE BODY                  |
| 8          | 5493001     | GASKET D8 X 4 EPT 70SH                  |
| 9          | 5224615TP   | GASKET-HOLDER                           |
| 10         | 5471505     | CALIBRATED SPRING D0.45 H22 AISI 302    |
| 11         | 5302018     | STRAIGHT FITTING M12XM13 ES.16 H26.5 OT |
| 12         | 5224619TP   | GASKET-HOLDER D5.3 OT                   |
| 13         | 5471506.01  | CALIBRATED SPRING D1.1 H32 AISI 302     |
| 14         | 7496052     | OR GASKET 114                           |
| 15         | 5302071     | RUBBER-HOLDER FITTING M12x1 OT          |
| 16         | 5194554     | SURPRESSION VALVE DRAIN HOSE            |
| 17         | 5999906     | WASHER D20 X 30                         |
| 18         | 5302001     | STRAIGHT FITTING 1/4" G X M13 OT        |
| 19         | 5965164     | ASSEMBLY SURPRESSION VALVE 12BAR        |
| 20         | 7400901     | CAPILLARY 1.27X2.51X500 1/8" M12X1      |
| 21         | 7631505     | FLOW METER CONNECTOR                    |
| 22         | 7816405     | SCREW TE M4X12 UNI 5739 A2              |
| 23         | 7200504     | INOX FLEXIBLE HOSE 3/8" G L=1500        |
| 24         | 5162261LL   | INLET AUTOMATIC LEVEL HOSE DE           |
| 25         | 5038105LW   | BRACKET FOR FLOW METER                  |
| 26         | 7815003     | PLAIN WASHER D5 UNI 6592 A2             |
| 27         | 5162257LL   | SURPRESSION VALVE / CONT. VOL. DE       |
| 28         | 7496018     | OR GASKET 105 VITON                     |
| 29         | 5302501     | MULTIPLE FITTING 5 WAY OT (DE)          |
| 30         | 5221823     | NUT M20x1.25 ES.26 H5 OT                |
| 31         | 5226405TP   | PLUG 1/4" G ES.16 H13 OT                |
| 32         | 5302061     | FITTING MF 3/8X1/4 OT                   |
| 33         | 5471002     | FILTER D13.5 H11 AISI 304               |
| 34         | 7702312     | SOLENOID VALVE 2 WAY 220/240V PARKER    |
| 34         | 7701114     | SOLENOID VALVE 2 WAY 110V PARKER        |
| 35         | 7630325     | SOLENOID VALVE COIL 220/240V PARKER     |
| 35         | 7630324     | SOLENOID VALVE COIL 110V PARKER         |
| 36         | 5225238     | FITTING M13X1/8" G ES.15 H23.5 OT       |
| 37         | 7703011     | SOLENOID VALVE WITHOUT COIL PARKER      |
| 38         | 5471019     | FILTER D8.5X5 AISI304                   |
| 43         | 5223003     | JET M6 X 6 HOLE D0.8 OT                 |
| 44         | 5965076     | COMPLETE CHECK VALVE                    |
| 45         | 5162262LL   | OUTLET HOSE L/A DE                      |
| 46         | 5283042     | CHECK VALVE BODY                        |
| 47         | 5492008     | GASKET D10.5 X 2                        |
| 48         | 5221813     | PLUG M12X1 OT                           |

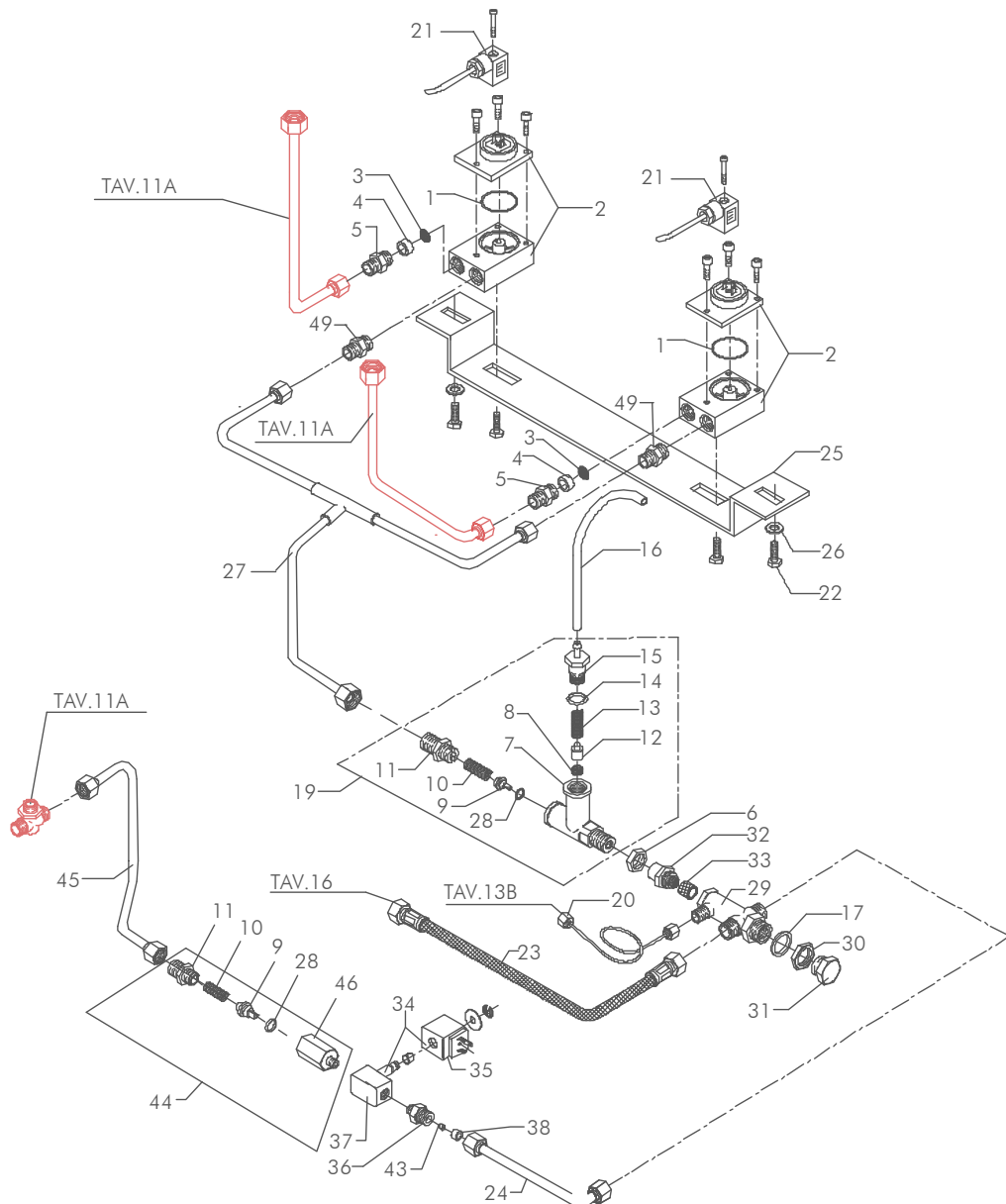
**TABLE 3A (up to 31.08.10)**

**Mod. DE**



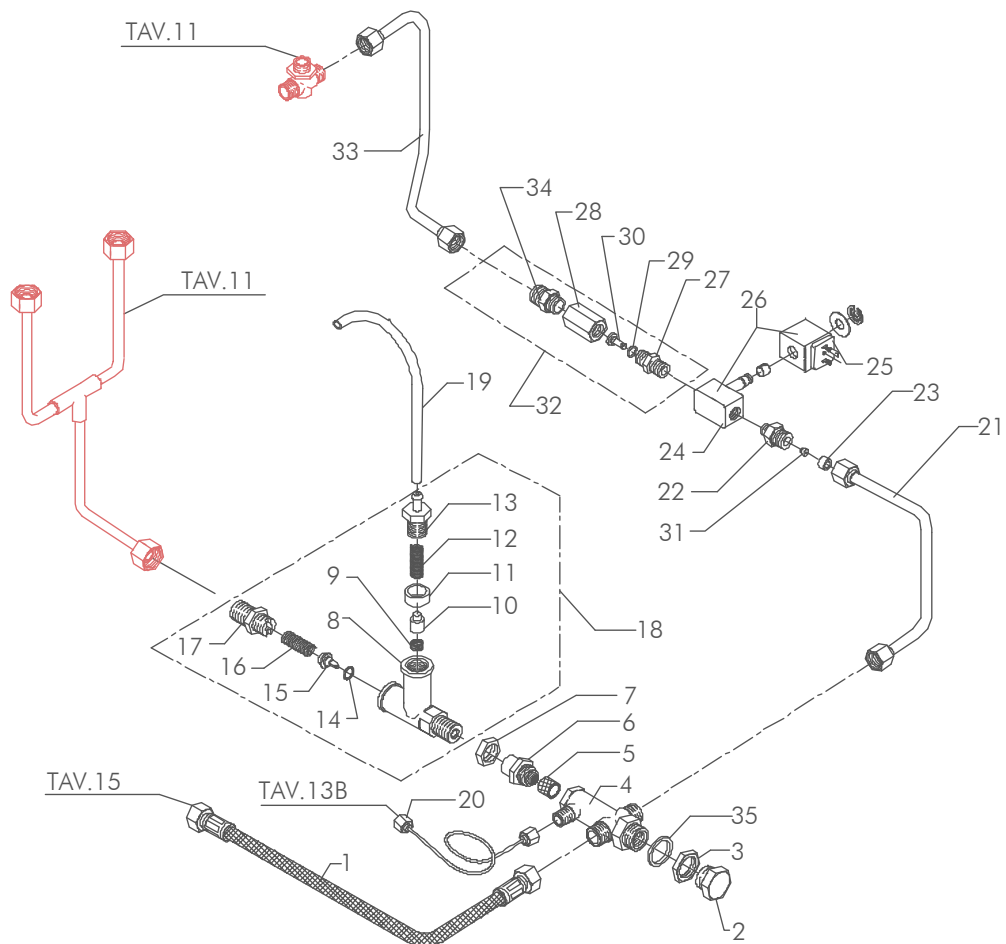
|   | <b>POS</b> | <b>CODE</b> | <b>DESCRIPTION</b>                      |  |
|---|------------|-------------|---|--|
| <b>TABLE 3A (from 01.09.10) Mod. DE</b> | 1          | 7496020     | OR GASKET 2112 VITON                    |  |
|   | 2          | 7431001     | FLOW METER + AUT. WITH LED              |  |
|   | 3          | 5471001     | NET FILTER D11 AISI 304                 |  |
|   | 4          | 5191501     | SPACER D11X8X6.5 PTFE                   |  |
|   | 5          | 5302009     | STRAIGHT FITTING M12 X 1/4" G H24 OT    |  |
|   | 6          | 5221821     | NUT 1/4" G H5 OT                        |  |
|   | 7          | 5283048     | SURPRESSION VALVE BODY                  |  |
|   | 8          | 5493001     | GASKET D8 X 4 EPT 70SH                  |  |
|   | 9          | 5224615TP   | GASKET-HOLDER                           |  |
|   | 10         | 5471505     | CALIBRATED SPRING D0.45 H22 AISI 302    |  |
|   | 11         | 5302018     | STRAIGHT FITTING M12XM13 ES.16 H26.5 OT |  |
|   | 12         | 5224619TP   | GASKET-HOLDER D5.3 OT                   |  |
|   | 13         | 5471506.01  | CALIBRATED SPRING D1.1 H32 AISI 302     |  |
|   | 14         | 7496052     | OR GASKET 114                           |  |
|   | 15         | 5302071     | RUBBER-HOLDER FITTING M12x1 OT          |  |
|   | 16         | 5194554     | SURPRESSION VALVE DRAIN HOSE            |  |
|   | 17         | 5999906     | WASHER D20 X 30                         |  |
|   | 18         | 5302001     | STRAIGHT FITTING 1/4" G X M13 OT        |  |
|   | 19         | 5965164     | ASSEMBLY SURPRESSION VALVE 12BAR        |  |
|   | 20         | 7400901     | CAPILLARY 1.27X2.51X500 1/8" M12X1      |  |
|   | 21         | 7631505     | FLOW METER CONNECTOR                    |  |
|   | 22         | 7816405     | SCREW TE M4X12 UNI 5739 A2              |  |
|   | 23         | 7200504     | INOX FLEXIBLE HOSE 3/8" G L=1500        |  |
|   | 24         | 5162261LL   | INLET AUTOMATIC LEVEL HOSE DE           |  |
|   | 25         | 5038105LW   | BRACKET FOR FLOW METER                  |  |
|   | 26         | 7815003     | PLAIN WASHER D5 UNI 6592 A2             |  |
|   | 27         | 5162257LL   | SURPRESSION VALVE / CONT. VOL. DE       |  |
|   | 28         | 7496018     | OR GASKET 105 VITON                     |  |
|   | 29         | 5302501     | MULTIPLE FITTING 5 WAY OT (DE)          |  |
|   | 30         | 5221823     | NUT M20x1.25 ES.26 H5 OT                |  |
|   | 31         | 5226405TP   | PLUG 1/4" G ES.16 H13 OT                |  |
|   | 32         | 5302061     | FITTING MF 3/8X1/4 OT                   |  |
|   | 33         | 5471002     | FILTER D13.5 H11 AISI 304               |  |
|   | 34         | 7702312     | SOLENOID VALVE 2 WAY 220/240V PARKER    |  |
|   | 34         | 7701114     | SOLENOID VALVE 2 WAY 110V PARKER        |  |
|   | 35         | 7630325     | SOLENOID VALVE COIL 220/240V PARKER     |  |
|   | 35         | 7630324     | SOLENOID VALVE COIL 110V PARKER         |  |
|   | 36         | 5225238     | FITTING M13X1/8" G ES.15 H23.5 OT       |  |
|   | 37         | 7703011     | SOLENOID VALVE WITHOUT COIL PARKER      |  |
|   | 38         | 5471019     | FILTER D8.5X5 AISI304                   |  |
|   | 43         | 5223003     | JET M6 X 6 HOLE D0.8 OT                 |  |
|   | 44         | 5965076.01  | COMPLETE CHECK VALVE                    |  |
|   | 45         | 5162262LL   | OUTLET HOSE L/A DE                      |  |
|   | 46         | 5221416     | CHECK VALVE BODY                        |  |
|   |            |             |   |  |
|   |            |             |   |  |

**TABLE 3A (from 01.09.10)**  
**Mod. DE**



|  | POS     | CODE                              | DESCRIPTION                             |
|--|---------|-----------------------------------|---|
| <b>TABLE 3B (up to 16.02.10) Mod. TE</b> | 1       | 7200504                           | INOX FLEXIBLE HOSE 3/8" G L= 1500       |
|  | 2       | 5226405TP                         | PLUG 1/4" G ES.16 H13 OT                |
|  | 3       | 5221823                           | NUT M20x1.25 ES.26 H5 OT                |
|  | 4       | 5302501                           | MULTIPLE FITTING 5 WAY OT               |
|  | 5       | 5471002                           | FILTER D13.5 H11 AISI 304               |
|  | 6       | 5302061                           | FITTING MF 3/8X1/4 OT                   |
|  | 7       | 5221821                           | NUT 1/4" G H5 OT                        |
|  | 8       | 5283048                           | SURPRESSION VALVE BODY                  |
|  | 9       | 5493001                           | GASKET D8 X 4 EPT 70SH                  |
|  | 10      | 5224619TP                         | GASKET-HOLDER D5.3 OT                   |
|  | 11      | 7496052                           | OR GASKET 114                           |
|  | 12      | 5471506.01                        | CALIBRATED SPRING D1.1 H32 AISI 302     |
|  | 13      | 5302071                           | RUBBER-HOLDER FITTING M12x1 OT          |
|  | 14      | 7496018                           | OR GASKET 105 VITON                     |
|  | 15      | 5224615TP                         | GASKET-HOLDER                           |
|  | 16      | 5471505                           | CALIBRATED SPRING D0.45 H22 AISI 302    |
|  | 17      | 5302018                           | STRAIGHT FITTING M12XM13 ES.16 H26.5 OT |
|  | 18      | 5965164                           | ASSEMBLY SURPRESSION VALVE 12BAR        |
|  | 19      | 5194554                           | SURPRESSION VALVE DRAIN HOSE            |
|  | 20      | 7400901                           | CAPILLARY 1.27X2.51X500 1/8" M12X1      |
|  | 21      | 5162261LL                         | INLET AUTOMATIC LEVEL HOSE DE           |
|  | 22      | 5225238                           | FITTING M13X1/8" G ES.15 H23.5 OT       |
|  | 23      | 5471019                           | FILTER D8,5X5 AISI304                   |
|  | 24      | 7703011                           | SOLENOID VALVE WITHOUT COIL PARKER      |
|  | 25      | 7630325                           | SOLENOID VALVE COIL 220/240V PARKER     |
|  | 25      | 7630324                           | SOLENOID VALVE COIL 110V PARKER         |
|  | 26      | 7702312                           | SOLENOID VALVE 2 WAY 220/240V PARKER    |
|  | 26      | 7701114                           | SOLENOID VALVE 2 WAY 110V PARKER        |
|  | 27      | 7304502LLTR                       | FITTING SERTO 1/8" G                    |
|  | 28      | 5302015                           | FITTING 1/8" G OT                       |
|  | 29      | 7496035                           | OR GASKET D4.2 X 1.9 VITON              |
|  | 30      | 5224002                           | STUD D8.5 X 17.5 OT                     |
|  | 31      | 5223003                           | JET M6 X 6 HOLE D0.8 OT                 |
|  | 32      | 5223018.01                        | COMPLETE CHECK VALVE                    |
|  | 33      | 5162262LL                         | OUTLET HOSE L/A DE                      |
| 34                                       | 5302014 | FITTING M13X1/8" G ES.15 H23.5 OT |   |
| 35                                       | 5999906 | WASHER D20 X 30                   |   |
|  |         |                                   |   |
|  |         |                                   |   |
|  |         |                                   |   |
|  |         |                                   |   |
|  |         |                                   |   |
|  |         |                                   |   |
|  |         |                                   |   |
|  |         |                                   |   |
|  |         |                                   |   |
|  |         |                                   |   |
|  |         |                                   |   |
|  |         |                                   |   |
|  |         |                                   |   |
|  |         |                                   |   |
|  |         |                                   |   |
|  |         |                                   |   |
|  |         |                                   |   |
|  |         |                                   |   |
|  |         |                                   |   |
|  |         |                                   |   |
|  |         |                                   |   |
|  |         |                                   |   |

**TABLE 3B (up to 16.02.10)**  
**Mod. TE**



|  | <b>POS</b> | <b>CODE</b> | <b>DESCRIPTION</b>                      |  |
|--|------------|-------------|---|--|
| <b>TABLE 3B (up to 31.08.10) Mod. TE</b> | 1          | 7200504     | INOX FLEXIBLE HOSE 3/8" G L=1500        |  |
|  | 2          | 5226405TP   | PLUG 1/4" G ES.16 H13 OT                |  |
|  | 3          | 5221823     | NUT M20x1.25 ES.26 H5 OT                |  |
|  | 4          | 5302501     | MULTIPLE FITTING 5 WAY OT               |  |
|  | 5          | 5471002     | FILTER D13.5 H11 AISI 304               |  |
|  | 6          | 5302061     | FITTING MF 3/8X1/4 OT                   |  |
|  | 7          | 5221821     | NUT 1/4" G H5 OT                        |  |
|  | 8          | 5283048     | SURPRESSION VALVE BODY                  |  |
|  | 9          | 5493001     | GASKET D8 X 4 EPT 70SH                  |  |
|  | 10         | 5224619TP   | GASKET-HOLDER D5.3 OT                   |  |
|  | 11         | 7496052     | OR GASKET 114                           |  |
|  | 12         | 5471506.01  | CALIBRATED SPRING D1.1 H32 AISI 302     |  |
|  | 13         | 5302071     | RUBBER-HOLDER FITTING M12x1 OT          |  |
|  | 14         | 7496018     | OR GASKET 105 VITON                     |  |
|  | 15         | 5224615TP   | GASKET-HOLDER                           |  |
|  | 16         | 5471505     | CALIBRATED SPRING D0.45 H22 AISI 302    |  |
|  | 17         | 5302018     | STRAIGHT FITTING M12XM13 ES.16 H26.5 OT |  |
|  | 18         | 5965164     | ASSEMBLY SURPRESSION VALVE 12BAR        |  |
|  | 19         | 5194554     | SURPRESSION VALVE DRAIN HOSE            |  |
|  | 20         | 7400901     | CAPILLARY 1.27X2.51X500 1/8" M12X1      |  |
|  | 21         | 5162261LL   | INLET AUTOMATIC LEVEL HOSE DE           |  |
|  | 22         | 5225238     | FITTING M13X1/8" G ES.15 H23.5 OT       |  |
|  | 23         | 5471019     | FILTER D8,5X5 AISI304                   |  |
|  | 24         | 7703011     | SOLENOID VALVE WITHOUT COIL PARKER      |  |
|  | 25         | 7630325     | SOLENOID VALVE COIL 220/240V PARKER     |  |
|  | 25         | 7630324     | SOLENOID VALVE COIL 110V PARKER         |  |
|  | 26         | 7702312     | SOLENOID VALVE 2 WAY 220/240V PARKER    |  |
|  | 26         | 7701114     | SOLENOID VALVE 2 WAY 110V PARKER        |  |
|  | 31         | 5223003     | JET M6 X 6 HOLE D0.8 OT                 |  |
|  | 32         | 5965076     | COMPLETE CHECK VALVE                    |  |
|  | 33         | 5162262LL   | OUTLET HOSE L/A DE                      |  |
|  | 35         | 5999906     | WASHER D20 X 30                         |  |
|  | 36         | 5283042     | CHECK VALVE BODY                        |  |
|  | 37         | 5492008     | GASKET D10.5 X 2                        |  |
|  | 38         | 5221813     | PLUG M12X1 OT                           |  |
|  |            |             |   |  |
|  |            |             |   |  |
|  |            |             |   |  |
|  |            |             |   |  |
|  |            |             |   |  |
|  |            |             |   |  |
|  |            |             |   |  |
|  |            |             |   |  |
|  |            |             |   |  |
|  |            |             |   |  |
|  |            |             |   |  |
|  |            |             |   |  |
|  |            |             |   |  |
|  |            |             |   |  |
|  |            |             |   |  |



**TABLE 3B (up to 31.08.10)**  
**Mod. TE**

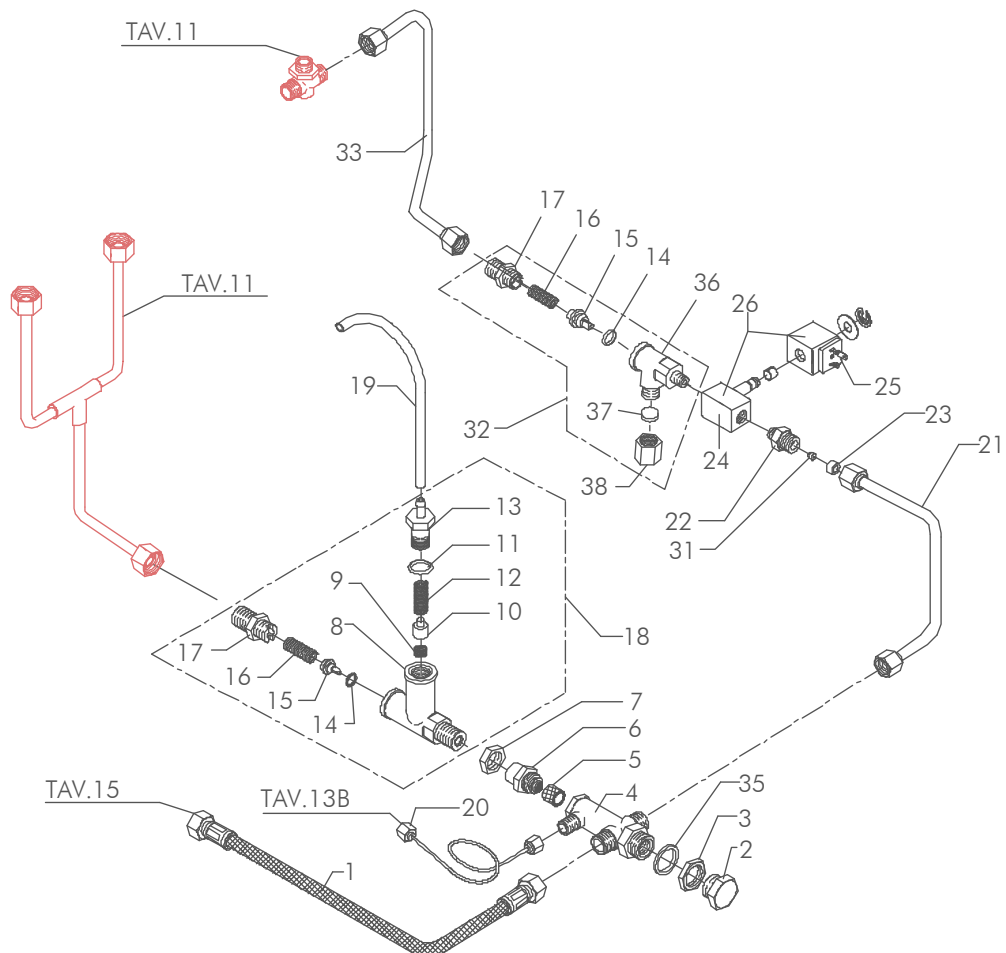
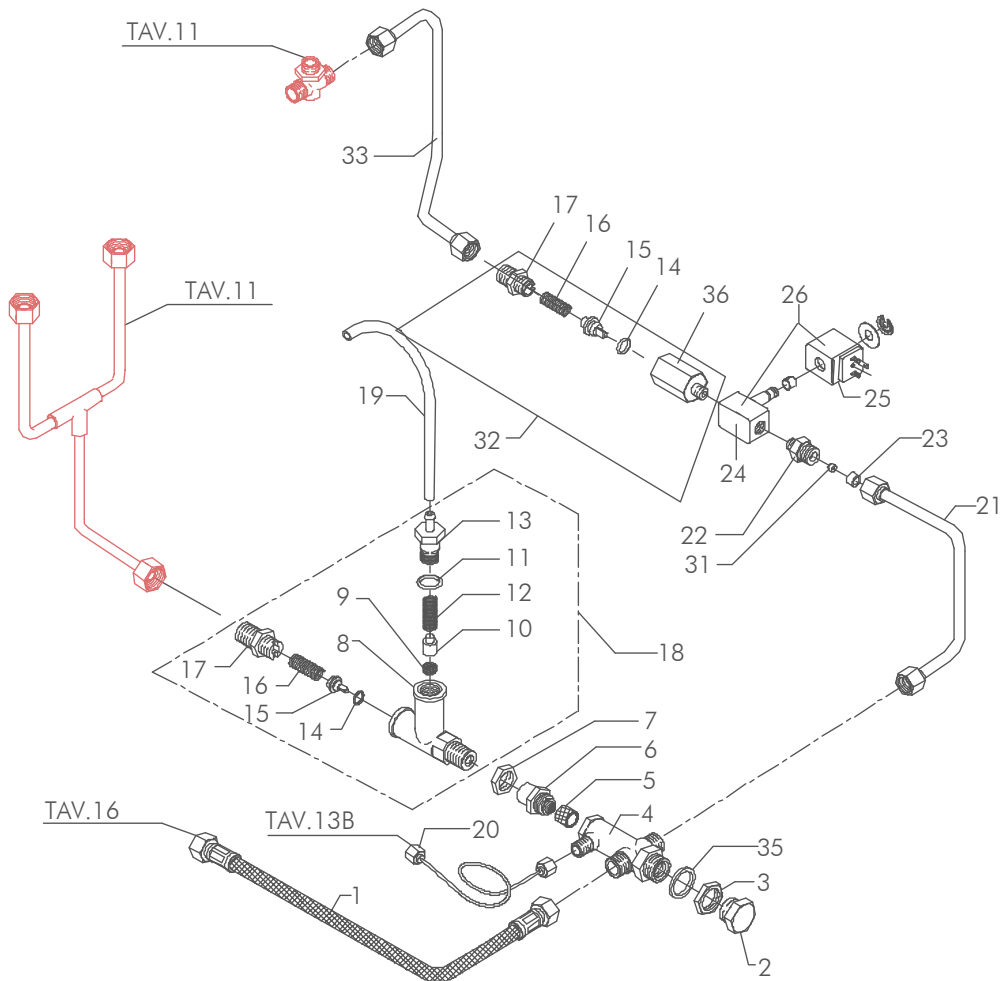




TABLE 3B (from 01.09.10) Mod. TE

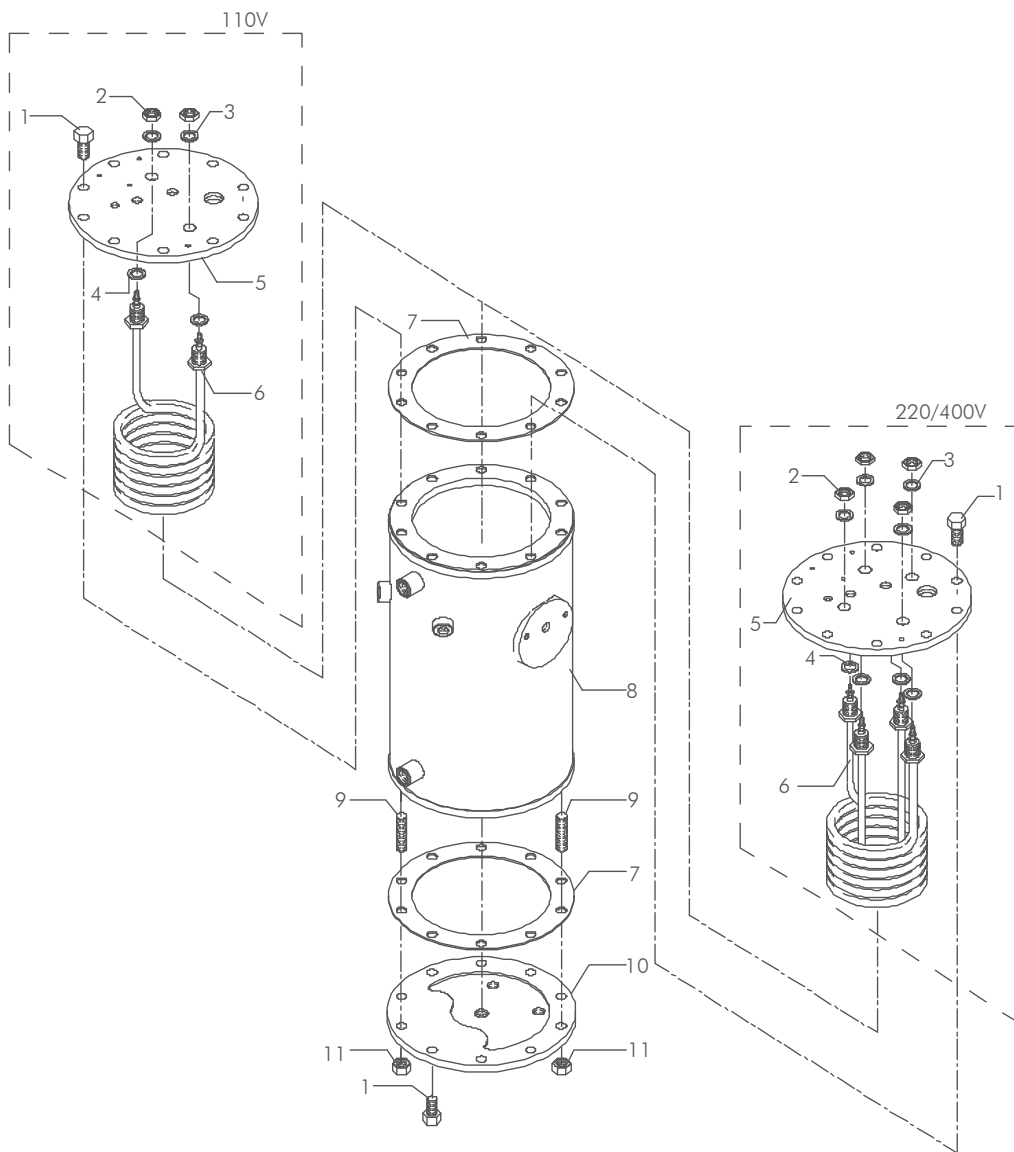
| POS | CODE       | DESCRIPTION                             |
|-----|------------|---|
| 1   | 7200504    | INOX FLEXIBLE HOSE 3/8"G L= 1500        |
| 2   | 5226405TP  | PLUG 1/4"G ES.16 H13 OT                 |
| 3   | 5221823    | NUT M20x1.25 ES.26 H5 OT                |
| 4   | 5302501    | MULTIPLE FITTING 5 WAY OT               |
| 5   | 5471002    | FILTER D13.5 H11 AISI 304               |
| 6   | 5302061    | FITTING MF 3/8X1/4 OT                   |
| 7   | 5221821    | NUT 1/4"G H5 OT                         |
| 8   | 5283048    | SURPRESSION VALVE BODY                  |
| 9   | 5493001    | GASKET D8 X 4 EPT 70SH                  |
| 10  | 5224619TP  | GASKET-HOLDER D5.3 OT                   |
| 11  | 7496052    | OR GASKET 114                           |
| 12  | 5471506.01 | CALIBRATED SPRING D1.1 H32 AISI 302     |
| 13  | 5302071    | RUBBER-HOLDER FITTING M12x1 OT          |
| 14  | 7496018    | OR GASKET 105 VITON                     |
| 15  | 5224615TP  | GASKET-HOLDER                           |
| 16  | 5471505    | CALIBRATED SPRING D0.45 H22 AISI 302    |
| 17  | 5302018    | STRAIGHT FITTING M12XM13 ES.16 H26.5 OT |
| 18  | 5965164    | ASSEMBLY SURPRESSION VALVE 12BAR        |
| 19  | 5194554    | SURPRESSION VALVE DRAIN HOSE            |
| 20  | 7400901    | CAPILLARY 1.27X2.51X500 1/8" M12X1      |
| 21  | 5162261LL  | INLET AUTOMATIC LEVEL HOSE DE           |
| 22  | 5225238    | FITTING M13X1/8"G ES.15 H23.5 OT        |
| 23  | 5471019    | FILTER D8,5X5 AISI304                   |
| 24  | 7703011    | SOLENOID VALVE WITHOUT COIL PARKER      |
| 25  | 7630325    | SOLENOID VALVE COIL 220/240V PARKER     |
| 25  | 7630324    | SOLENOID VALVE COIL 110V PARKER         |
| 26  | 7702312    | SOLENOID VALVE 2 WAY 220/240V PARKER    |
| 26  | 7701114    | SOLENOID VALVE 2 WAY 110V PARKER        |
| 31  | 5223003    | JET M6 X 6 HOLE D0.8 OT                 |
| 32  | 5965076.01 | COMPLETE CHECK VALVE                    |
| 33  | 5162262LL  | OUTLET HOSE L/A DE                      |
| 35  | 5999906    | WASHER D20 X 30                         |
| 36  | 5221416    | CHECK VALVE BODY                        |
|     |            |   |
|     |            |   |
|     |            |   |
|     |            |   |
|     |            |   |
|     |            |   |
|     |            |   |
|     |            |   |
|     |            |   |
|     |            |   |
|     |            |   |
|     |            |   |
|     |            |   |
|     |            |   |
|     |            |   |
|     |            |   |
|     |            |   |
|     |            |   |
|     |            |   |
|     |            |   |
|     |            |   |
|     |            |   |
|     |            |   |
|     |            |   |
|     |            |   |
|     |            |   |

**TABLE 3B (from 01.09.10)**  
**Mod. TE**



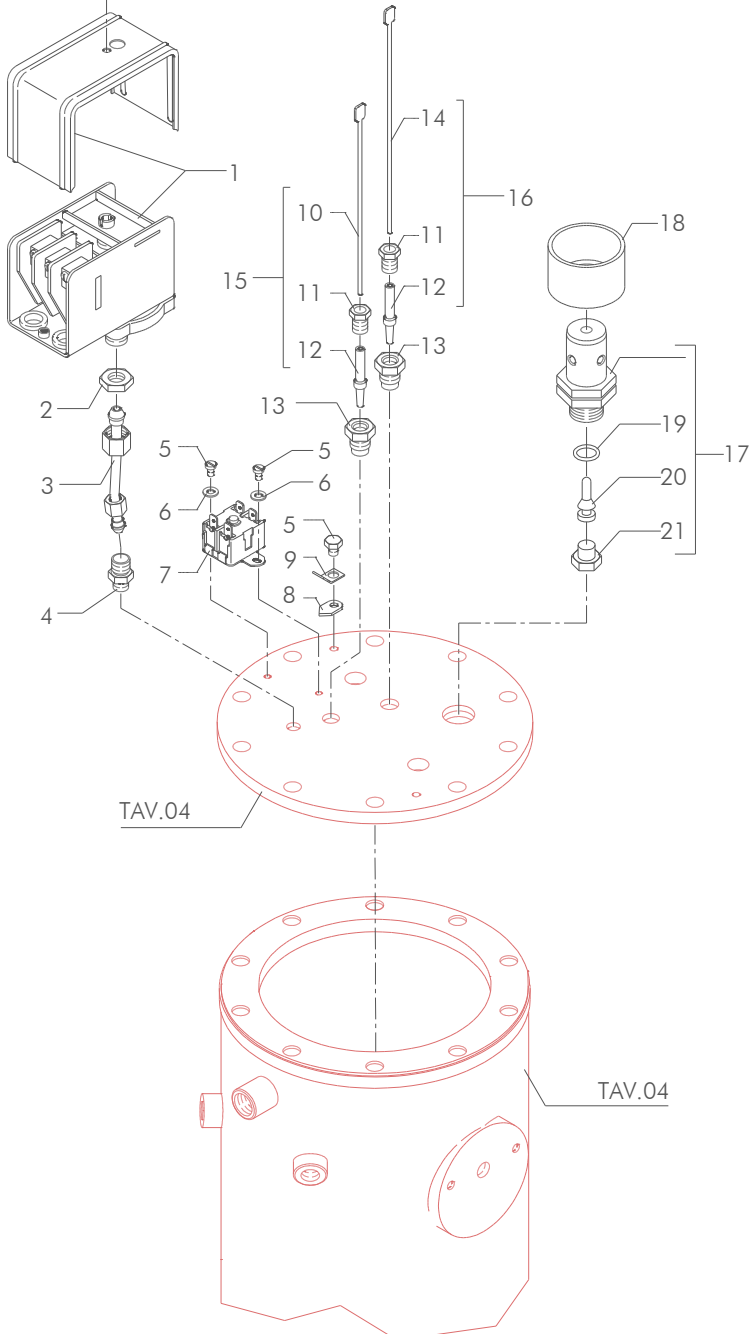


**TABLE 4**  
**Mod. DE - PM - TP - TE**





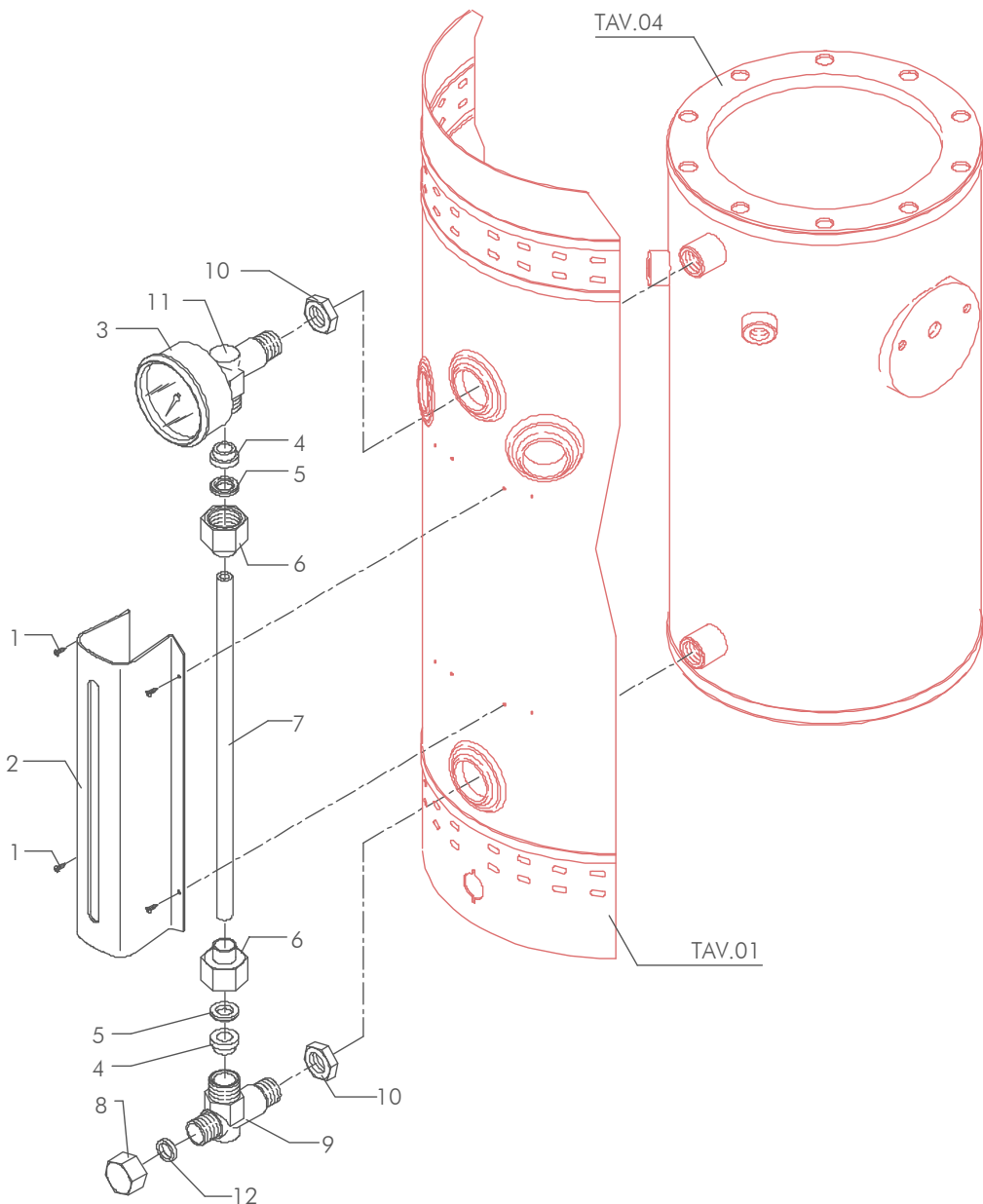
**TABLE 5**  
**Mod. DE - PM - TP - TE**





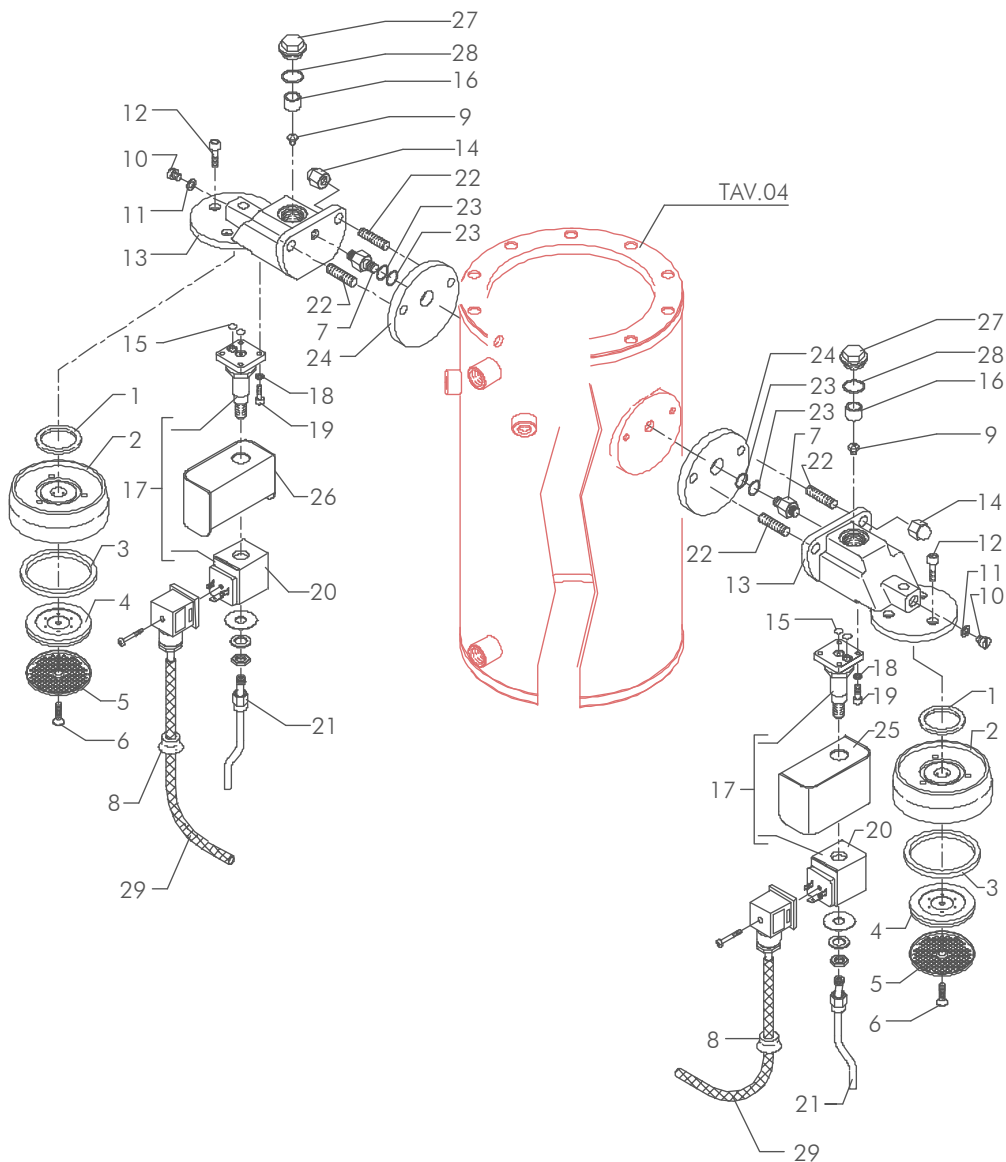


**TABLE 6**  
**Mod. DE - PM - TP - TE**



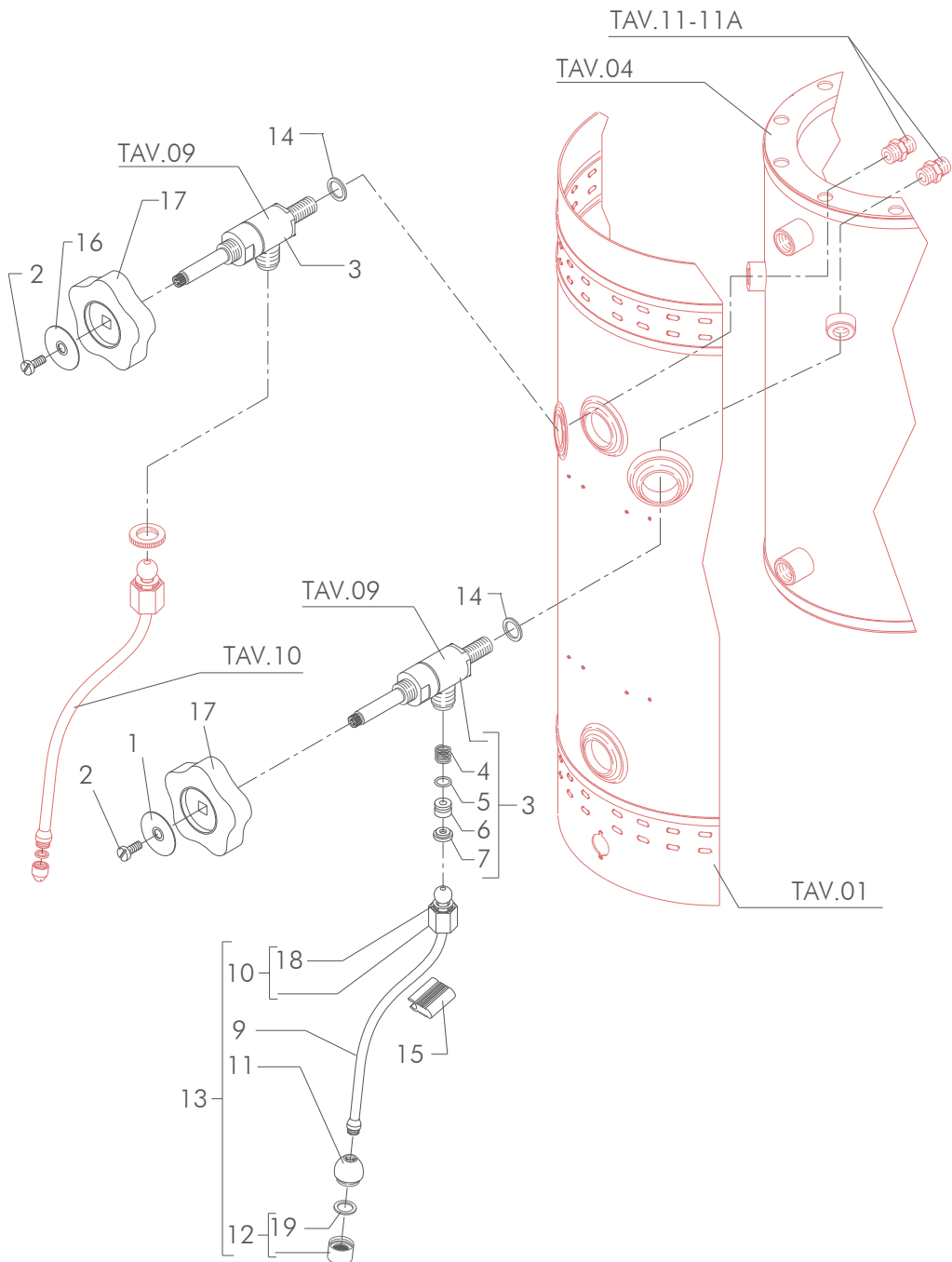
|                                       | <b>POS</b> | <b>CODE</b>                                | <b>DESCRIPTION</b>                         |
|---------------------------------------|------------|--|--|
| <b>TABLE 7 Mod. DE - PM - TP - TE</b> | 1          | 7496004                                    | OR GASKET 139                              |
|                                       | 2          | 5280502TW                                  | COUPLING RING CHROMED                      |
|                                       | 2          | 5280502DV                                  | COUPLING RING PAINTED GOLD FOR FLAT GASKET |
|                                       | 3          | 7493008                                    | CONIC GASKET H 9.3 NBR 90SH                |
|                                       | 4          | 5285501TP                                  | SHOWER-HOLDER D57                          |
|                                       | 5          | 5470501                                    | SHOWER D57 AISI 304                        |
|                                       | 6          | 7817001                                    | SCREW TPS M5X16 A2                         |
|                                       | 7          | 5225303                                    | FITTING 1/8"G ES.15X31                     |
|                                       | 8          | 7613008                                    | FAIRLEAD                                   |
|                                       | 9          | 5223002                                    | JET M5 X 9 HOLE D1 OT (SPECIAL)            |
|                                       | 10         | 5227001CM                                  | SCREW M6 X 6 CHROMED                       |
|                                       | 10         | 5227001DV                                  | SCREW M6 X 6 OT PAINTED GOLD               |
|                                       | 11         | 5492001                                    | GASKET D10,5X6,3X1 ASBESTOS FREE           |
|                                       | 12         | 7816001                                    | SCREW TCEI M5X12 UNI5931 A2                |
|                                       | 13         | 5283008CM                                  | DELIVERY GROUP BODY DE OT CHROMED          |
|                                       | 13         | 5283008DV                                  | DELIVERY GROUP BODY DE OT PAINTED GOLD     |
|                                       | 14         | 5221863CM                                  | CAP NUT M8 CHROMED                         |
|                                       | 14         | 5221863DV                                  | CAP NUT M8 ES.14 H17 OT PAINTED GOLD       |
|                                       | 15         | 7496018                                    | OR GASKET 105 VITON                        |
|                                       | 16         | 5471002                                    | FILTER D13.5 H11 AISI 304                  |
|                                       | 17         | 7702211                                    | SOLENOID VALVE 3 WAY 220/240V PARKER       |
|                                       | 17         | 7701113                                    | SOLENOID VALVE 3 WAY 110V PARKER           |
|                                       | 18         | 7814001                                    | WASHER Ø 4                                 |
|                                       | 19         | 7816002                                    | SCREW TCEI M4X12                           |
|                                       | 20         | 7630324                                    | SOLENOID VALVE COIL 110V PARKER            |
|                                       | 20         | 7630325                                    | SOLENOID VALVE COIL 220/240V PARKER        |
|                                       | 21         | 5162101LL                                  | COMPLETE GROUP DRAIN HOSE                  |
|                                       | 22         | 5267009                                    | TIE ROD M8 X 35                            |
|                                       | 23         | 7496062                                    | OR GASKET 109                              |
| 24                                    | 5227208CM  | FLANGE D80 H8.5 OT CHROMED                 |  |
| 25                                    | 5073005LW  | RIGHT SOLENOID VALVE COVER STAINLESS STEEL |  |
| 26                                    | 5073006LW  | LEFT SOLENOID VALVE COVER STAINLESS STEEL  |  |
| 27                                    | 5288001CM  | PLUG M18 H16 OT CHROMED                    |  |
| 27                                    | 5288001DV  | PLUG M18 H16 OT PAINTED GOLD               |  |
| 28                                    | 7496005    | OR GASKET 119 VITON                        |  |
| 29                                    | 7200515LL  | FLEXIBLE HOSE                              |  |
|                                       |            |  |  |
|                                       |            |  |  |
|                                       |            |  |  |
|                                       |            |  |  |
|                                       |            |  |  |
|                                       |            |  |  |
|                                       |            |  |  |
|                                       |            |  |  |
|                                       |            |  |  |
|                                       |            |  |  |
|                                       |            |  |  |

**TABLE 7**  
**Mod. DE - PM - TP - TE**



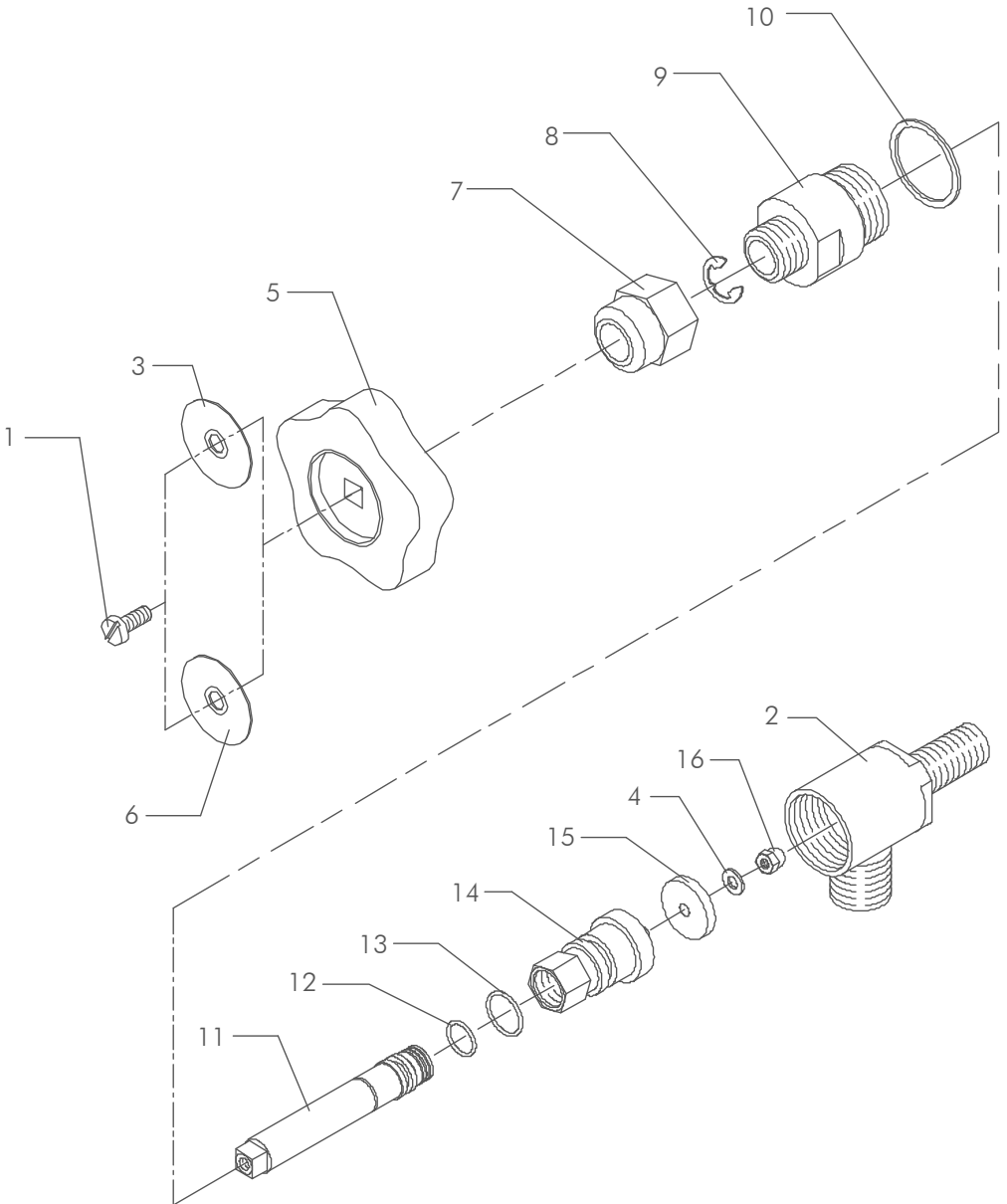
|                                | POS     | CODE                          | DESCRIPTION                             |
|--------------------------------|---------|-------------------------------|---|
| TABLE 8 Mod. DE - PM - TP - TE | 1       | 5522056                       | WATER PLATE - ITALIAN                   |
|                                | 1       | 5522057                       | WATER PLATE - ENGLISH                   |
|                                | 1       | 5522051                       | WATER PLATE - FRENCH                    |
|                                | 1       | 5522053                       | WATER PLATE - GERMAN                    |
|                                | 2       | 7826410CM                     | SCREW TEB M5X10                         |
|                                | 3       | 5964063.01                    | ASSEMBLY WATER/STEAM TAP                |
|                                | 4       | 5471504                       | SPRING D14 AISI 302                     |
|                                | 5       | 7496076                       | OR GASKET 112 EPDM 70SH                 |
|                                | 6       | 5224605                       | GASKET-HOLDER D14.7 X 10.5 OT           |
|                                | 7       | 5494002                       | GASKET D16X6X6 PTFE GRAPHITIZED         |
|                                | 9       | 5163173CM                     | COMPLETE WATER HOSE CHROMED             |
|                                | 10      | 5221871CM-LL                  | NUT M18 H25 OT CHROMED WHIT GASKET      |
|                                | 11      | 5226610TW                     | WATER HOSE TERMINAL D23.5X18 OT CHROMED |
|                                | 12      | 5226601TW                     | WATER HOSE TERMINAL M22 CHROMED         |
|                                | 13      | 5966550                       | ASSEMBLY WATER HOSE OT CHROMED          |
|                                | 14      | 5221869                       | WASHER D14 X 20 X 1.5 COPPER            |
|                                | 15      | 7371001                       | INSULATING                              |
|                                | 16      | 5522055                       | STEAM PLATE - ITALIAN                   |
|                                | 16      | 5522058                       | STEAM PLATE - ENGLISH                   |
| 16                             | 5522050 | STEAM PLATE - FRENCH          |   |
| 16                             | 5522054 | STEAM PLATE - GERMAN          |   |
| 17                             | 7371509 | TAP KNOB                      |   |
| 18                             | 5494009 | GASKET Ø16X13,2X2 PTFE        |   |
| 19                             | 5493003 | GASKET D20.5X15 H1.5 NBR 70SH |   |
|                                |         |                               |   |
|                                |         |                               |   |
|                                |         |                               |   |
|                                |         |                               |   |
|                                |         |                               |   |
|                                |         |                               |   |
|                                |         |                               |   |
|                                |         |                               |   |
|                                |         |                               |   |
|                                |         |                               |   |
|                                |         |                               |   |
|                                |         |                               |   |
|                                |         |                               |   |
|                                |         |                               |   |
|                                |         |                               |   |
|                                |         |                               |   |
|                                |         |                               |   |
|                                |         |                               |   |
|                                |         |                               |   |
|                                |         |                               |   |
|                                |         |                               |   |
|                                |         |                               |   |
|                                |         |                               |   |
|                                |         |                               |   |
|                                |         |                               |   |
|                                |         |                               |   |
|                                |         |                               |   |
|                                |         |                               |   |
|                                |         |                               |   |

**TABLE 8**  
**Mod. DE - PM - TP - TE**



|                                       | <b>POS</b> | <b>CODE</b>              | <b>DESCRIPTION</b>             |
|---------------------------------------|------------|--------------------------|--------------------------------|
| <b>TABLE 9 Mod. DE - PM - TP - TE</b> | 1          | 7826410CM                | SCREW TEB M5X10                |
|                                       | 2          | 5283033CM                | TAP BODY                       |
|                                       | 3          | 5522056                  | WATER PLATE - ITALIAN          |
|                                       | 3          | 5522057                  | WATER PLATE - ENGLISH          |
|                                       | 3          | 5522051                  | WATER PLATE - FRENCH           |
|                                       | 3          | 5522053                  | WATER PLATE - GERMAN           |
|                                       | 4          | 7825001                  | PLAIN WASHER D8 X 4 X 0.8 OT   |
|                                       | 5          | 7371509                  | TAP KNOB                       |
|                                       | 6          | 5522055                  | STEAM PLATE - ITALIAN          |
|                                       | 6          | 5522058                  | STEAM PLATE - ENGLISH          |
|                                       | 6          | 5522050                  | STEAM PLATE - FRENCH           |
|                                       | 6          | 5522054                  | STEAM PLATE - GERMAN           |
|                                       | 7          | 5221804CM                | NUT 3/8"G ES.22 H22 OT CHROMED |
|                                       | 8          | 7810601                  | RING D7 UNI 7434 A2            |
|                                       | 9          | 5223402CM                | NUT SCREW                      |
|                                       | 10         | 5495001CM                | GASKET D28 X 1 CHROMED BRASS   |
| 11                                    | 5220413CM  | ROD                      |                                |
| 12                                    | 7496075    | OR GASKET 10,82X1,78     |                                |
| 13                                    | 7496002    | OR GASKET 115 VITON      |                                |
| 14                                    | 5970504.01 | GASKET-HOLDER WITH DOWEL |                                |
| 15                                    | 5493023    | TAP GASKET EPT 70SH      |                                |
| 16                                    | 7822201    | CAP NUT M4 OT            |                                |
|                                       |            |                          |                                |
|                                       |            |                          |                                |
|                                       |            |                          |                                |
|                                       |            |                          |                                |
|                                       |            |                          |                                |
|                                       |            |                          |                                |
|                                       |            |                          |                                |
|                                       |            |                          |                                |
|                                       |            |                          |                                |
|                                       |            |                          |                                |
|                                       |            |                          |                                |
|                                       |            |                          |                                |
|                                       |            |                          |                                |
|                                       |            |                          |                                |
|                                       |            |                          |                                |
|                                       |            |                          |                                |
|                                       |            |                          |                                |
|                                       |            |                          |                                |
|                                       |            |                          |                                |
|                                       |            |                          |                                |
|                                       |            |                          |                                |
|                                       |            |                          |                                |
|                                       |            |                          |                                |
|                                       |            |                          |                                |
|                                       |            |                          |                                |
|                                       |            |                          |                                |
|                                       |            |                          |                                |
|                                       |            |                          |                                |
|                                       |            |                          |                                |
|                                       |            |                          |                                |
|                                       |            |                          |                                |
|                                       |            |                          |                                |

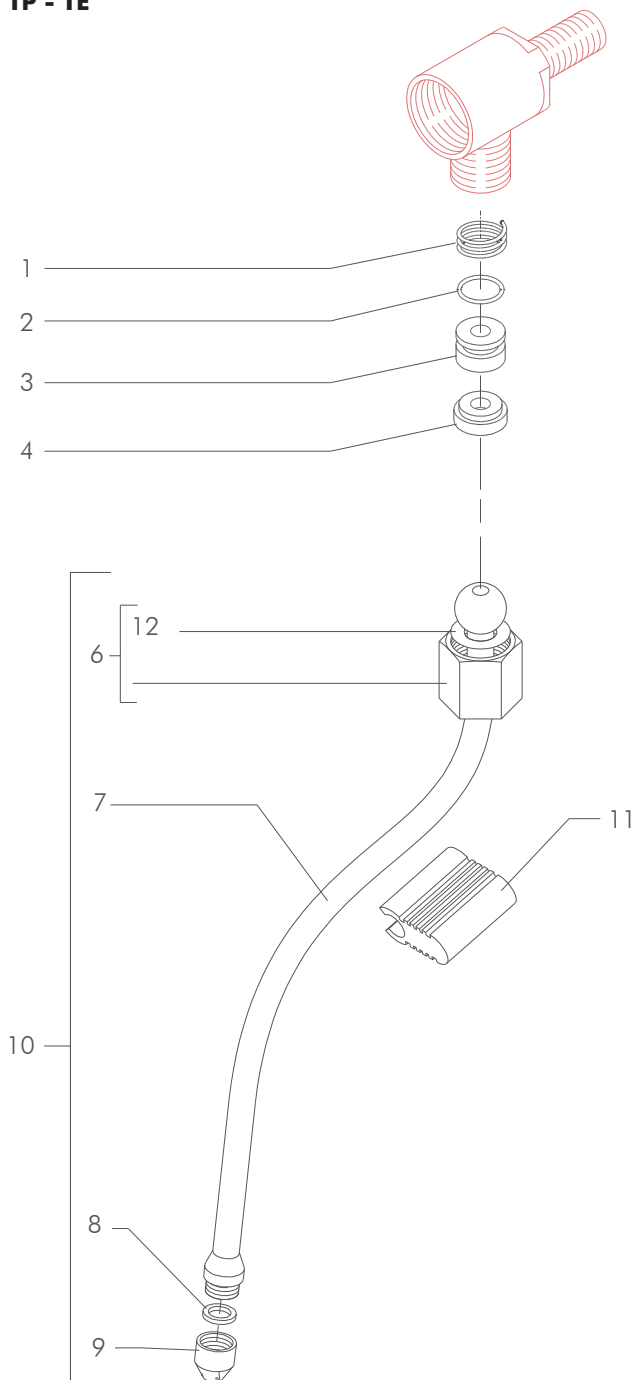
**TABLE 9**  
**Mod. DE - PM - TP - TE**





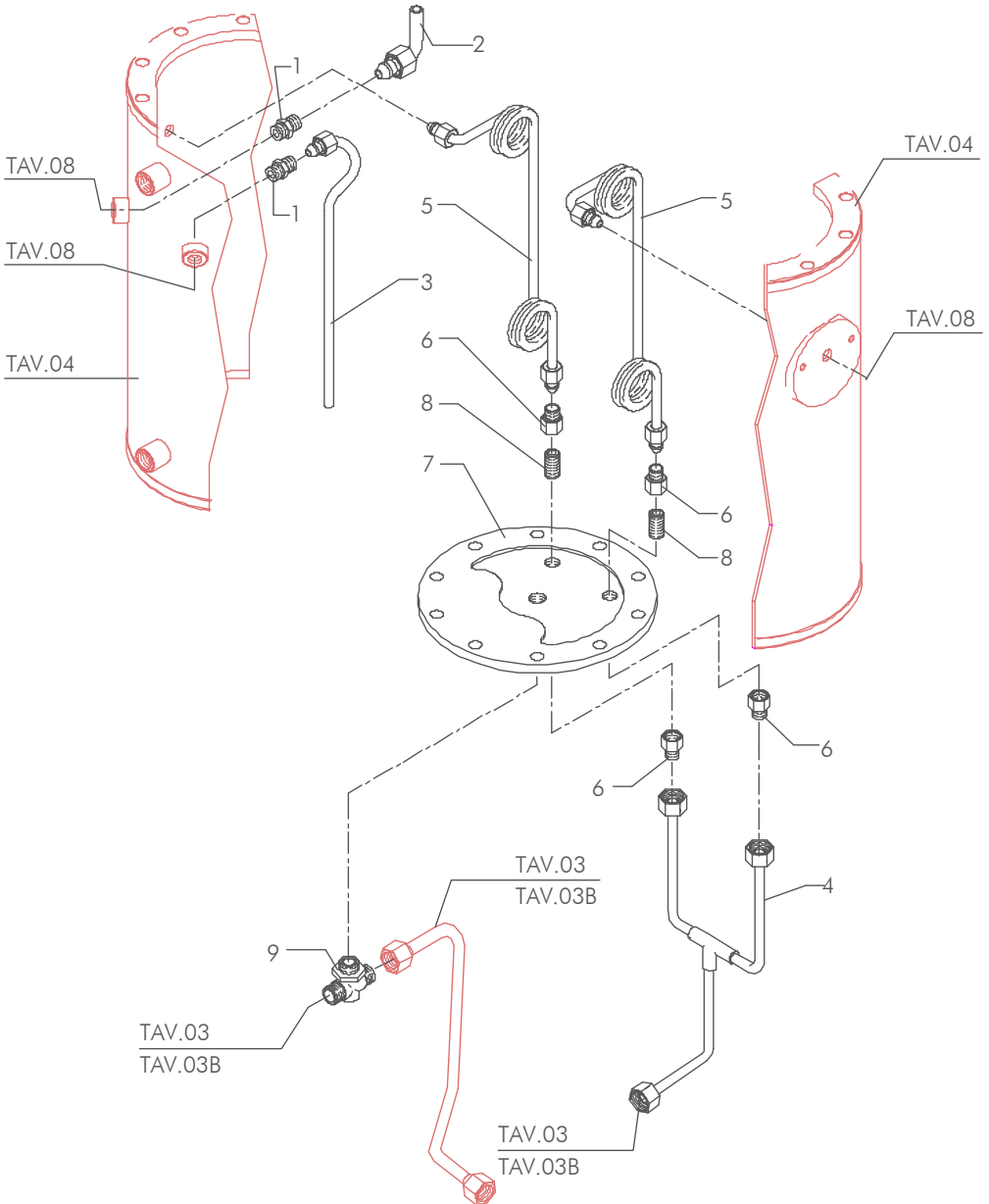


**TABLE 10**  
**Mod. DE - PM - TP - TE**



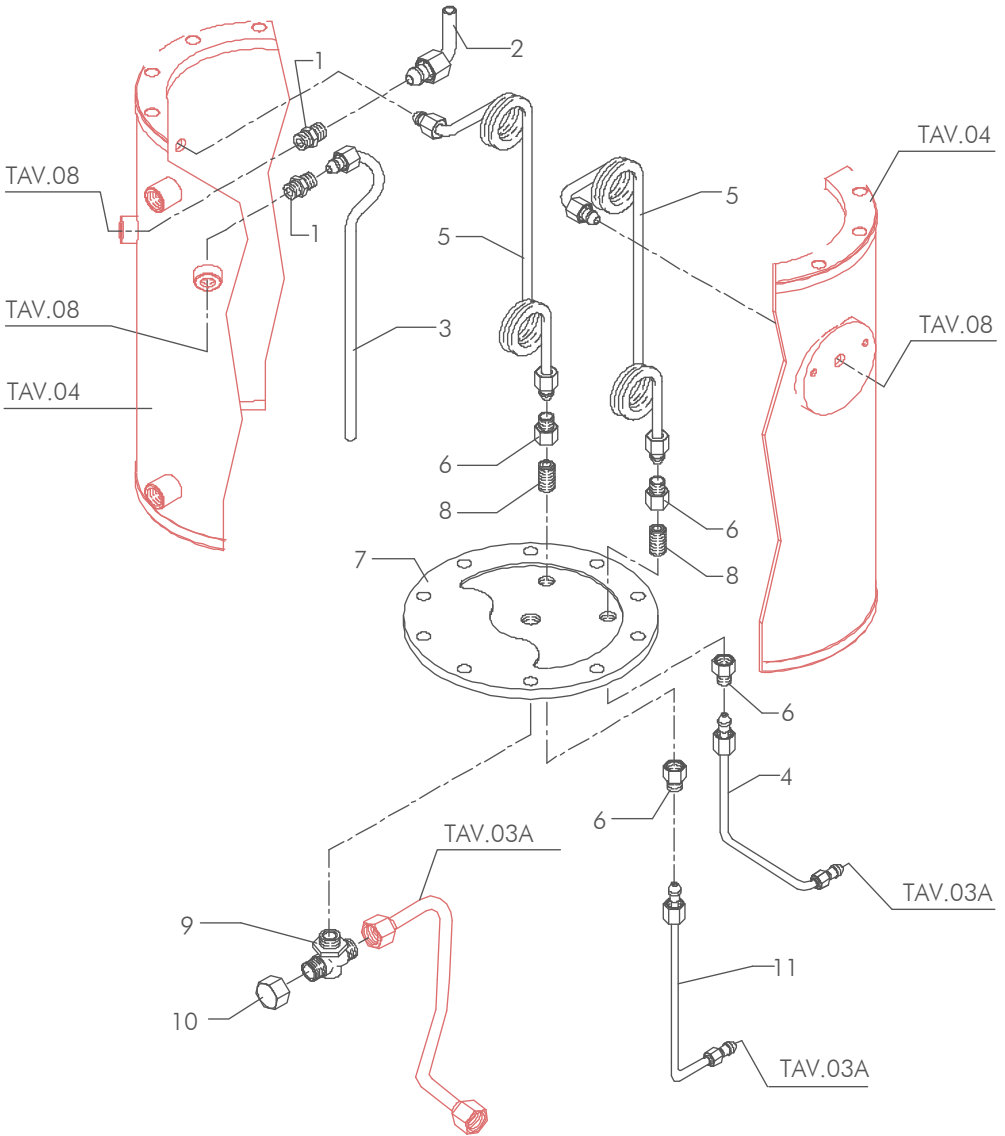
|              | <b>POS</b> | <b>CODE</b> | <b>DESCRIPTION</b>                      |
|--------------|------------|-------------|---|
| <b>TE</b>    | 1          | 5302050     | STRAIGHT FITTING M13 ES.13 H24 OT       |
| <b>PM</b>    | 2          | 5163078LL   | COMPLETE STEAM TAP HOSE                 |
| <b>Mod.</b>  | 3          | 5163077LL   | WATER TAP SUCTION HOSE                  |
| <b>11</b>    | 4          | 5162258LL   | SURPRESSION VALVE HOSE/BOILER           |
| <b>10</b>    | 5          | 5162130LL   | RIGHT/LEFT EXCHANGER HOSE DE            |
| <b>TABLE</b> | 6          | 5302029     | REDUCTION GEAR 1/4"G X M12 ES.16 H22 OT |
| <b>1</b>     | 7          | 5283509     | BOTTOM FLANGE BOILER D205 OT            |
| <b>1</b>     | 8          | 5222207     | SPACER 1/4"G H22 OT                     |
| <b>1</b>     | 9          | 5300511     | FITTING 3/8"G OT                        |
| <b>1</b>     | 10         | 5221819     | CAP NUT 3/8"G                           |
| <b>1</b>     |            |             |   |
| <b>1</b>     |            |             |   |
| <b>1</b>     |            |             |   |
| <b>1</b>     |            |             |   |
| <b>1</b>     |            |             |   |
| <b>1</b>     |            |             |   |
| <b>1</b>     |            |             |   |
| <b>1</b>     |            |             |   |
| <b>1</b>     |            |             |   |
| <b>1</b>     |            |             |   |
| <b>1</b>     |            |             |   |
| <b>1</b>     |            |             |   |
| <b>1</b>     |            |             |   |
| <b>1</b>     |            |             |   |
| <b>1</b>     |            |             |   |
| <b>1</b>     |            |             |   |
| <b>1</b>     |            |             |   |
| <b>1</b>     |            |             |   |
| <b>1</b>     |            |             |   |
| <b>1</b>     |            |             |   |
| <b>1</b>     |            |             |   |
| <b>1</b>     |            |             |   |
| <b>1</b>     |            |             |   |
| <b>1</b>     |            |             |   |
| <b>1</b>     |            |             |   |
| <b>1</b>     |            |             |   |
| <b>1</b>     |            |             |   |
| <b>1</b>     |            |             |   |
| <b>1</b>     |            |             |   |
| <b>1</b>     |            |             |   |
| <b>1</b>     |            |             |   |
| <b>1</b>     |            |             |   |
| <b>1</b>     |            |             |   |
| <b>1</b>     |            |             |   |
| <b>1</b>     |            |             |   |
| <b>1</b>     |            |             |   |
| <b>1</b>     |            |             |   |
| <b>1</b>     |            |             |   |
| <b>1</b>     |            |             |   |
| <b>1</b>     |            |             |   |
| <b>1</b>     |            |             |   |

**TABLE 11**  
**Mod. PM - TE**



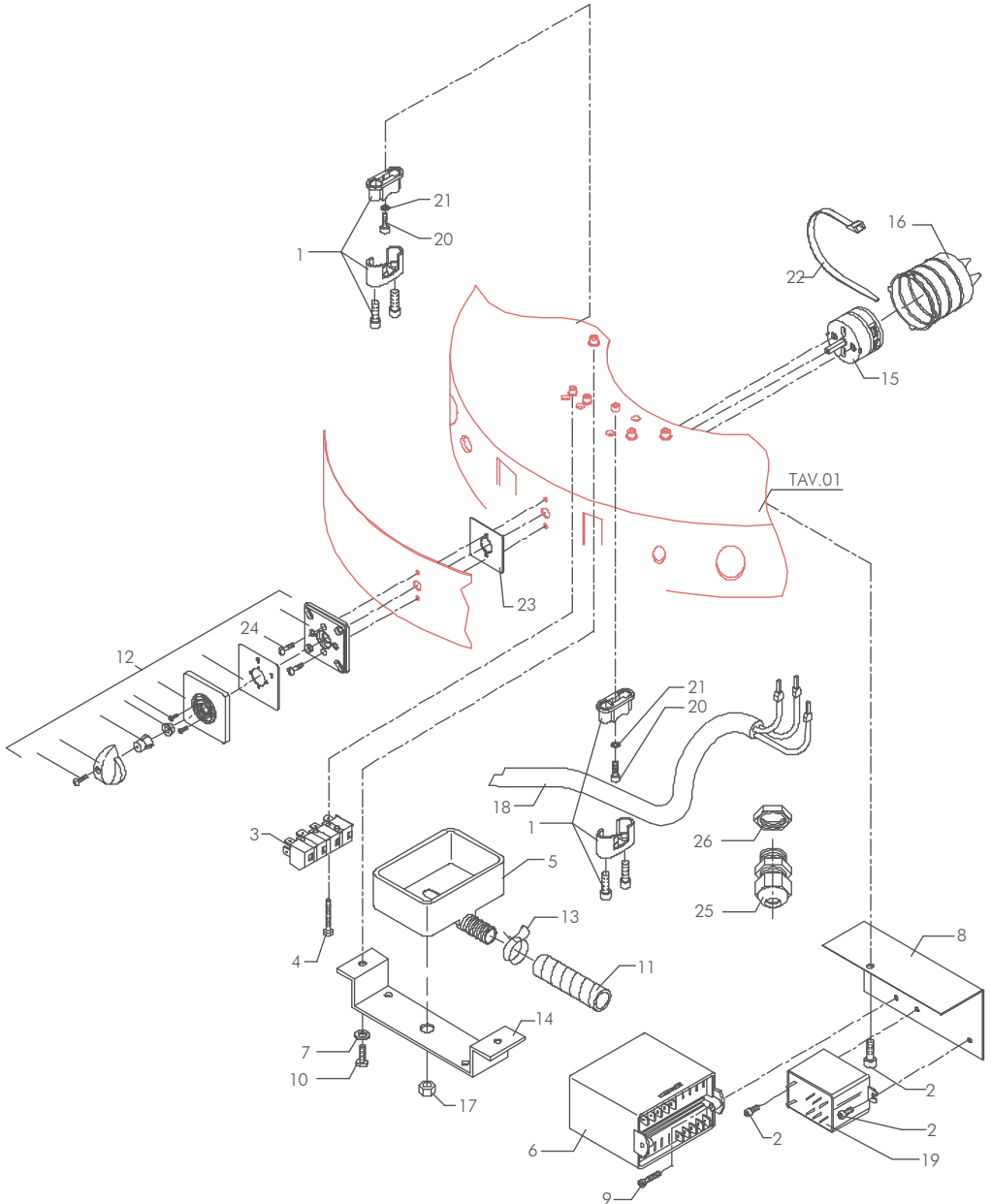


**TABLE 11A**  
**Mod. DE**



|  | POS     | CODE                       | DESCRIPTION  |
|--|---------|----------------------------|--|
| TABLE 12 (up to 31.08.10) Mod. PM - TP | 1       | 7614005                    | CABLE-PRESS  |
|  | 2       | 7816009                    | SCREW TCEI M4X10                                     |
|  | 3       | 7612501R                   | CLAMP 5 CONTACTS KL24/5                              |
|  | 4       | 7826409                    | SCREW TE M4X30                                       |
|  | 5       | 5373602.01                 | DRIP TRAY ABS  |
|  | 6       | 7661033.01                 | LEVEL REGULATOR 3 PROBES 110/120V                    |
|  | 6       | 7661034.01                 | LEVEL REGULATOR 3 PROBES 220/230V                    |
|  | 6       | 7661035.01                 | LEVEL REGULATOR 3 PROBES 240V                        |
|  | 7       | 7805004                    | PLAIN WASHER D6 UNI 6592 FEZN                        |
|  | 8       | 5038408LL                  | ELECTRIC PARTS SUPPORT                               |
|  | 9       | 7816004                    | SCREW TCEI M4 X 16                                   |
|  | 10      | 7816412                    | SCREW TE M5X16 UNI 5739 A2                           |
|  | 11      | 7303501                    | HOSE D22 L=2MT PLASTIC                               |
|  | 12      | 7633322                    | SWITCH KIT 0 - 1 - 2                                 |
|  | 13      | 7611501                    | CLAMP D22 FE   |
|  | 14      | 5038424                    | BRACKET FOR DRIP TRAY                                |
|  | 15      | 7633321                    | BASEMENT SWITCH 2 POSITIONS 4 CONTACTS (110V - 240V) |
|  | 15      | 7633320                    | BASEMENT SWITCH 2 POSITIONS 6 CONTACTS (220-400V)    |
|  | 16      | 7372503                    | SWTCH PROTECTION PLASTIC                             |
|  | 17      | 7821403                    | NUT M6 UNI 5587 OT                                   |
|  | 18      | 3553904.01                 | CONNECTING CABLE 5X2,5 MM ^ 2 L=2,2MT(380-230/400V)  |
|  | 18      | 3556003                    | CABLE SOOW 3X10AWG L=2,2MT (110V-220V USA)           |
|  | 18      | 3552404.01                 | CONNECTING CABLE H07RNF 3X2,5 MM ^ 2 ( 220/240 V)    |
|  | 19      | 7635423                    | 2-CONTACT 30A 120V RELAY                             |
|  | 19      | 7635422                    | RELAY 30A 240V                                       |
|  | 20      | 7816002                    | SCREW TCEI M4X12                                     |
| 21                                     | 7814001 | WASHER D4 DIN 6798A A2     |  |
| 22                                     | 7611509 | CLAMP 4.75 X 292 PLASTIC   |  |
| 23                                     | 5859911 | INSULATING                 |  |
| 24                                     | 7630901 | SCREW TCI M3.5X15          |  |
| 25                                     | 7614002 | CABLE-PRESS PG21 POLYAMIDE |  |
| 26                                     | 7614004 | NUT PG21 POLYAMIDE         |  |
|  |         |                            |  |
|  |         |                            |  |
|  |         |                            |  |
|  |         |                            |  |
|  |         |                            |  |
|  |         |                            |  |
|  |         |                            |  |
|  |         |                            |  |
|  |         |                            |  |
|  |         |                            |  |
|  |         |                            |  |
|  |         |                            |  |
|  |         |                            |  |
|  |         |                            |  |
|  |         |                            |  |
|  |         |                            |  |
|  |         |                            |  |

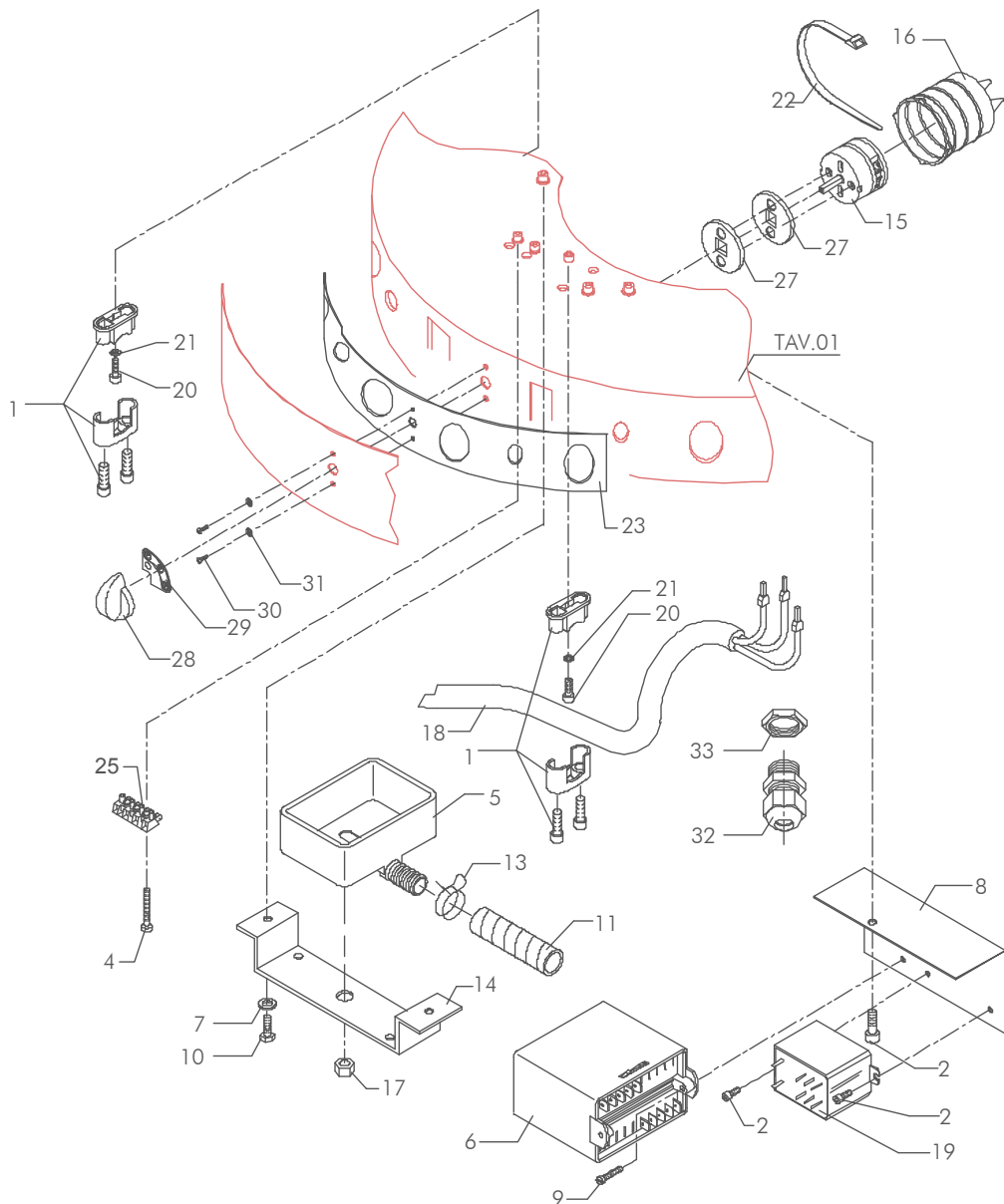
**TABLE 12 (up to 31.08.10)**  
**Mod. PM - TP**



|  | <b>POS</b> | <b>CODE</b>                | <b>DESCRIPTION</b>   |
|--|------------|----------------------------|--|
| <b>TABLE 12 (from 01.09.10) Mod. PM - TP</b> | 1          | 7614005                    | CABLE-PRESS  |
|  | 2          | 7816009                    | SCREW TCEI M4X10   |
|  | 4          | 7826409                    | SCREW TE M4X30   |
|  | 5          | 5373602.01                 | DRIP TRAY ABS  |
|  | 6          | 7661033.01                 | LEVEL REGULATOR 3 PROBES 110/120V                            |
|  | 6          | 7661034.01                 | LEVEL REGULATOR 3 PROBES 220/230V                            |
|  | 6          | 7661035.01                 | LEVEL REGULATOR 3 PROBES 240V                                |
|  | 7          | 7805004                    | PLAIN WASHER D6 UNI 6592 FEZN                                |
|  | 8          | 5038408LL                  | ELECTRIC PARTS SUPPORT                                       |
|  | 9          | 7816004                    | SCREW TCEI M4 X 16   |
|  | 10         | 7816412                    | SCREW TE M5X16 UNI 5739 A2                                   |
|  | 11         | 7303501                    | HOSE D22 L=2MT PLASTIC                                       |
|  | 13         | 7611501                    | CLAMP D22 FE   |
|  | 14         | 5038424                    | BRACKET FOR DRIP TRAY  |
|  | 15         | 7633336                    | BASEMENT SWITCH 2 POSITIONS 4 CONTACTS (110V - 240V)         |
|  | 15         | 7633335                    | BASEMENT SWITCH 2 POSITIONS 6 CONTACTS (220-400V)            |
|  | 16         | 7372503                    | SWTCH PROTECTION PLASTIC                                     |
|  | 17         | 7821403                    | NUT M6 UNI 5587 OT   |
|  | 18         | 3553904.01                 | CONNECTING CABLE 5X2,5 MM <sup>2</sup> L=2,2MT(380-230/400V) |
|  | 18         | 3556003                    | CABLE SOOW 3X10AWG L=2,2MT (110V-220V USA)                   |
|  | 18         | 3552404.01                 | CONNECTING CABLE H07RNF 3X2,5 MM <sup>2</sup> ( 220/240 V)   |
|  | 19         | 7635423                    | 2-CONTACT 30A 120V RELAY                                     |
|  | 19         | 7635422                    | RELAY 30A 240V   |
|  | 20         | 7816002                    | SCREW TCEI M4X12   |
|  | 21         | 7814001                    | WASHER D4 DIN 6798A A2                                       |
|  | 22         | 7611509                    | CLAMP 4.75 X 292 PLASTIC                                     |
|  | 23         | 5342014                    | PLATE  |
|  | 24         | 7630901                    | SCREW TCI M3.5X15  |
|  | 25         | 7612513                    | CLAMP 4 CONTACTS   |
|  | 27         | 5859919                    | THICKNESS  |
|  | 28         | 7371513                    | BLACK KNOB D40   |
|  | 29         | 5521522                    | ADHESIVE LABEL 0-1-2   |
|  | 30         | 7826204                    | SCREW TCI M3X20  |
| 31   | 7813801    | WASHER Ø 4                 |  |
| 32   | 7614002    | CABLE-PRESS PG21 POLYAMIDE |  |
| 33   | 7614004    | NUT PG21 POLYAMIDE         |  |
|  |            |                            |  |
|  |            |                            |  |
|  |            |                            |  |
|  |            |                            |  |
|  |            |                            |  |
|  |            |                            |  |
|  |            |                            |  |
|  |            |                            |  |
|  |            |                            |  |
|  |            |                            |  |
|  |            |                            |  |
|  |            |                            |  |

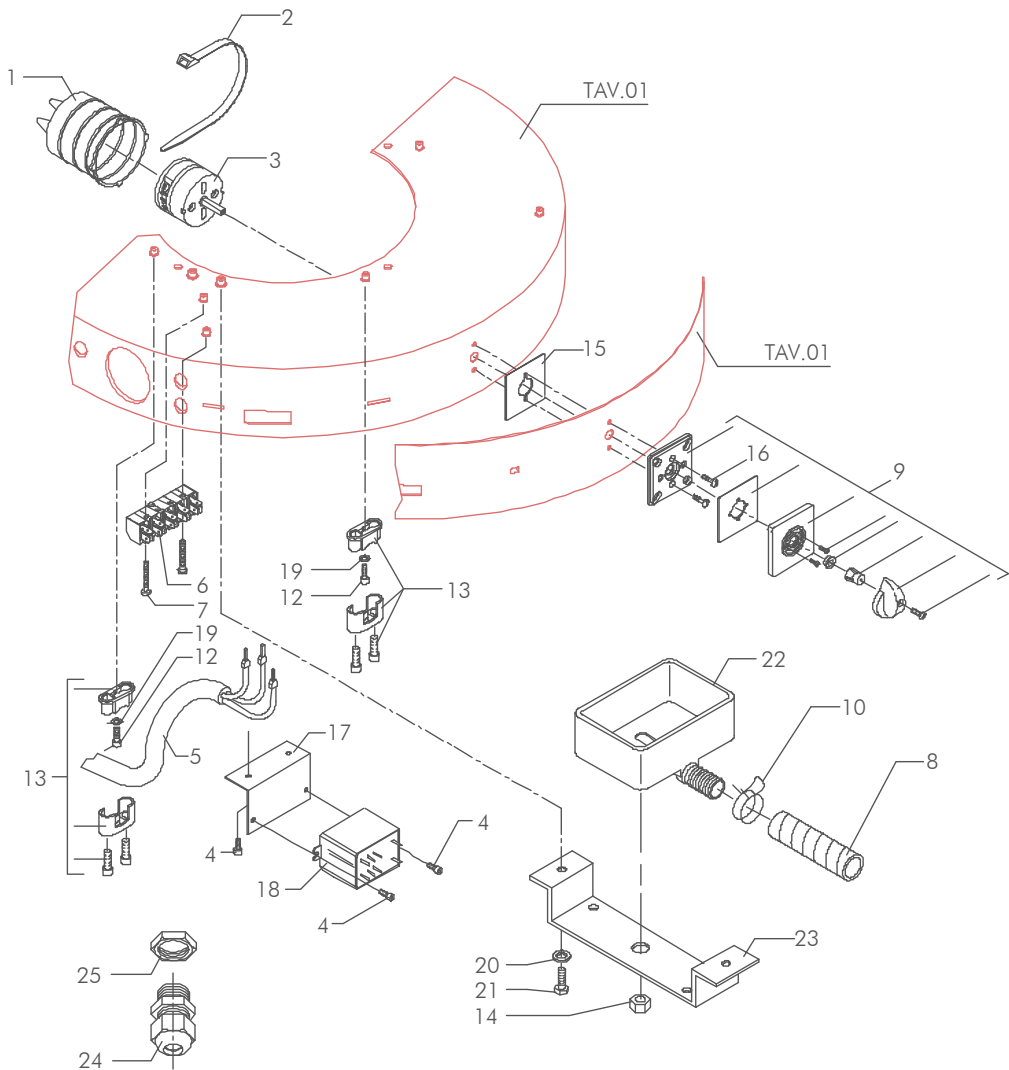


**TABLE 12 (from 01.09.10)**  
**Mod. PM - TP**



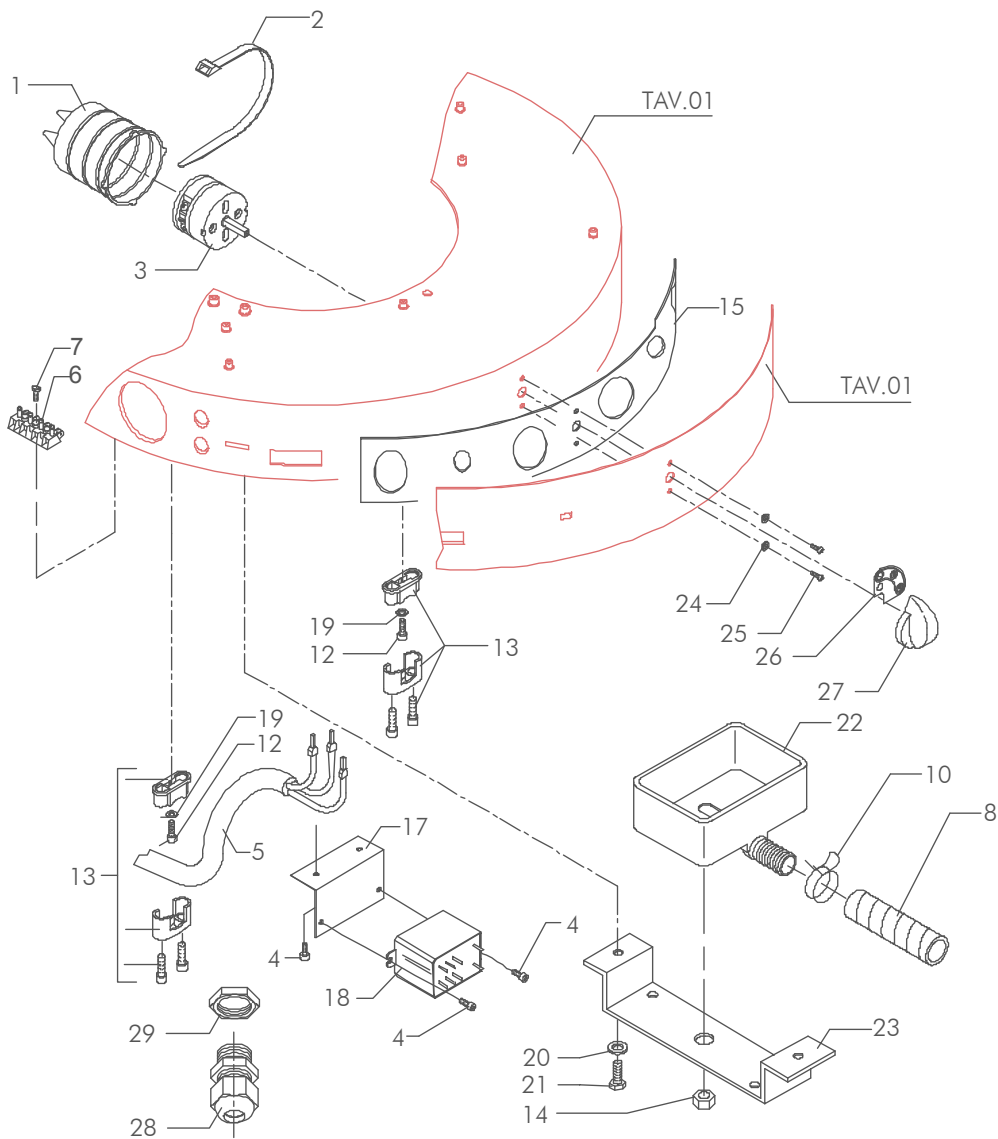


**TABLE 12A (up to 31.08.10)**  
**Mod. DE - TE**



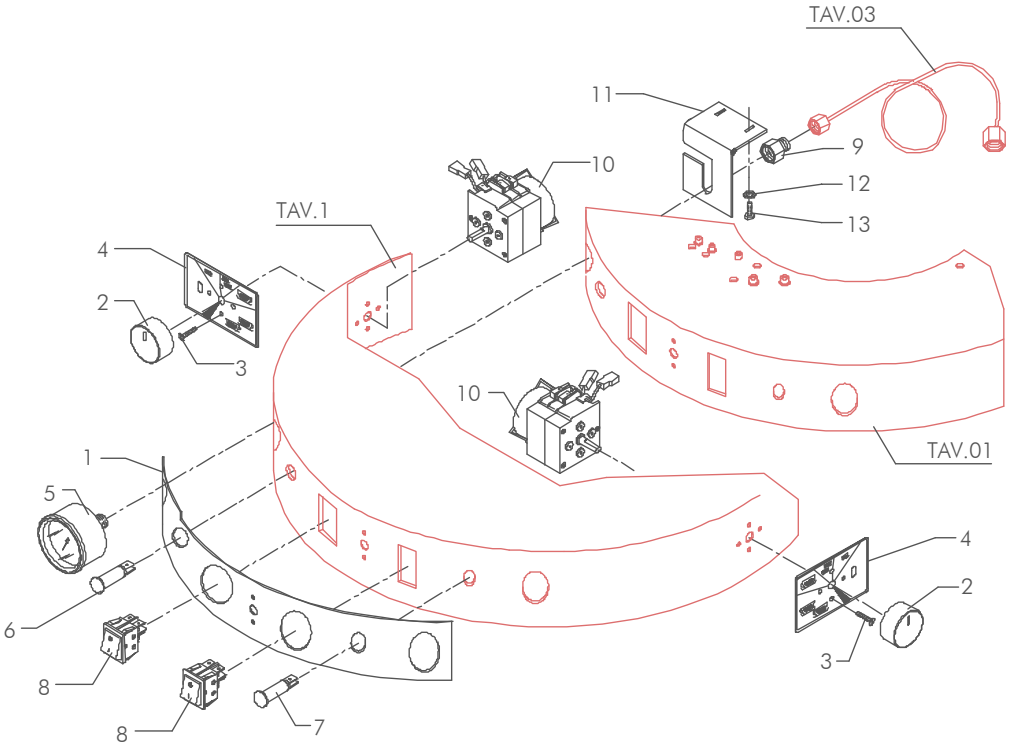


**TABLE 12A (from 01.09.10)**  
**Mod. DE - TE**





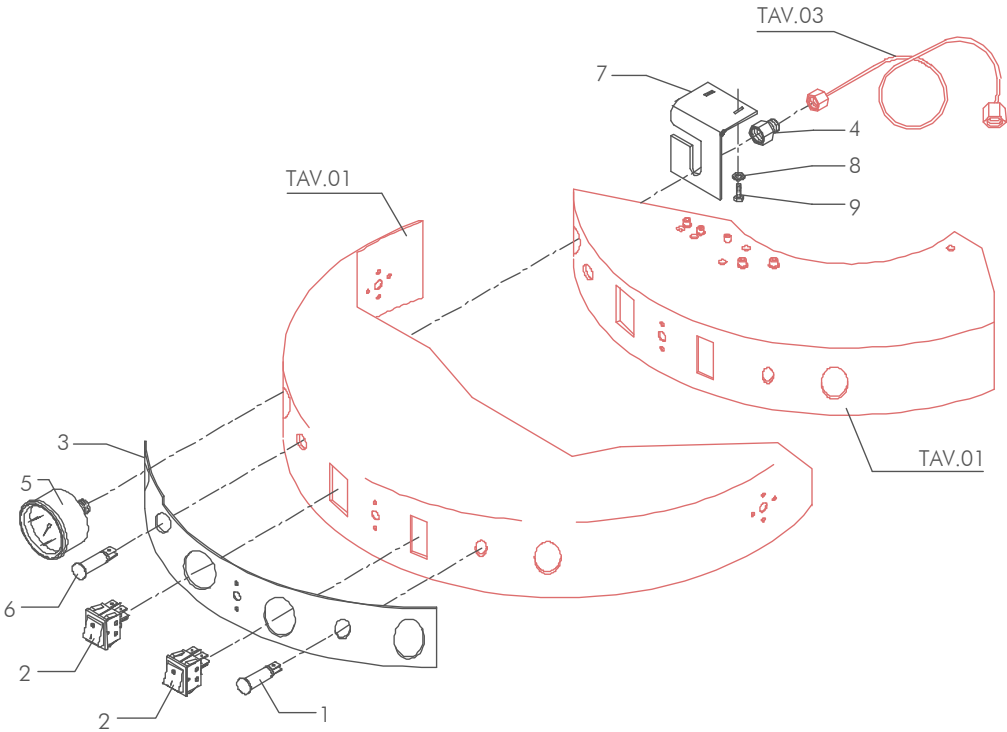
**TABLE 13**  
**Mod. TP**





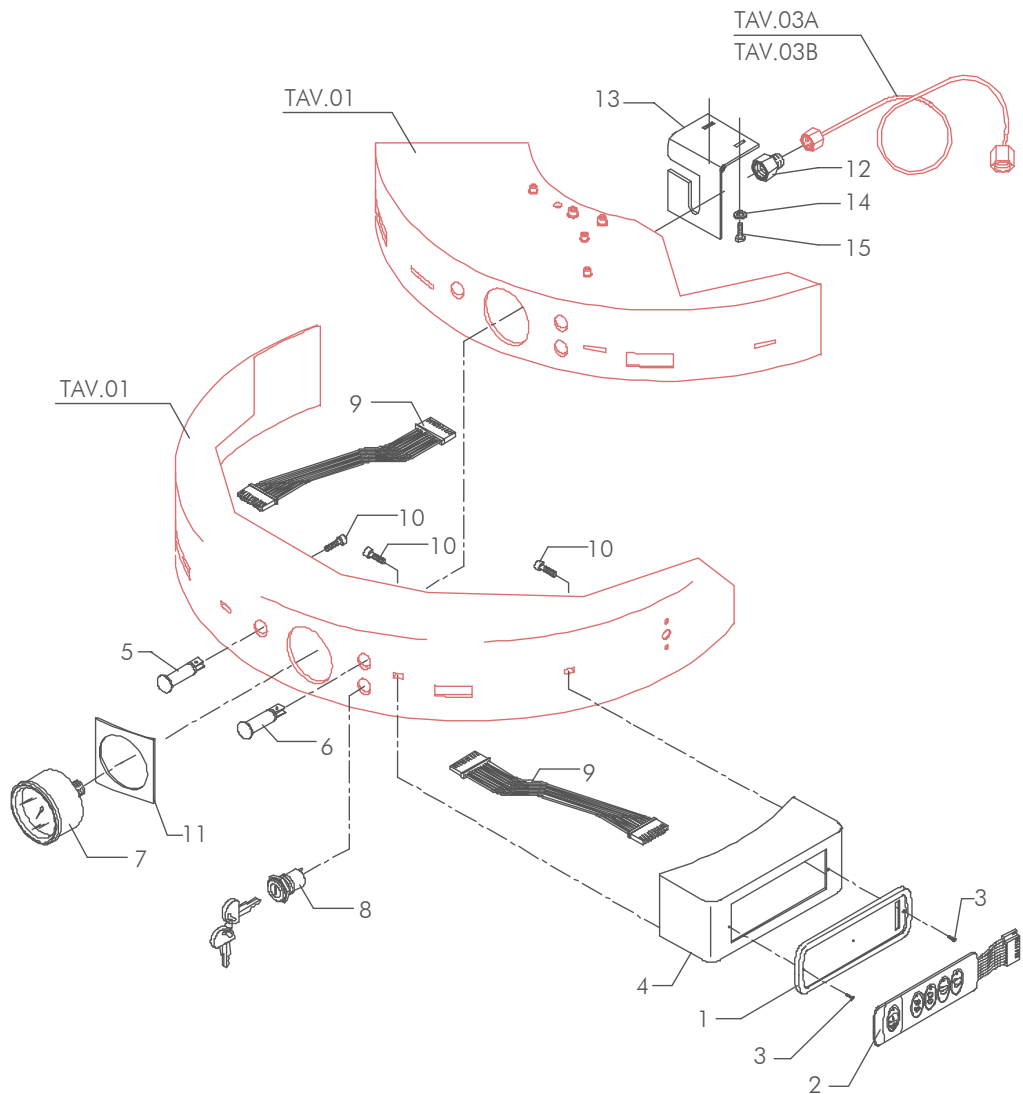


**TABLE 13A**  
**Mod. PM**



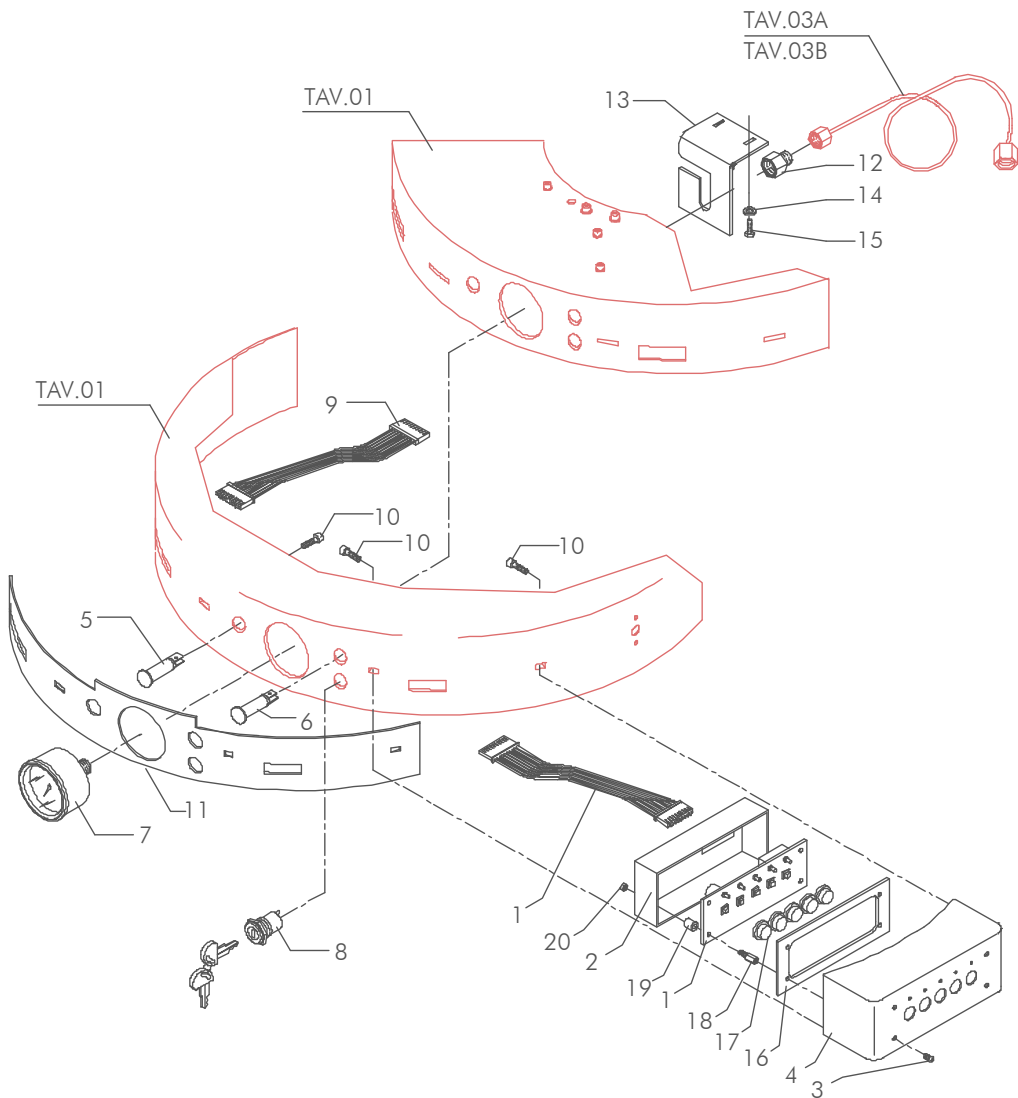


**TABLE 13B (up to 24.05.10)**  
**Mod. DE - TE**



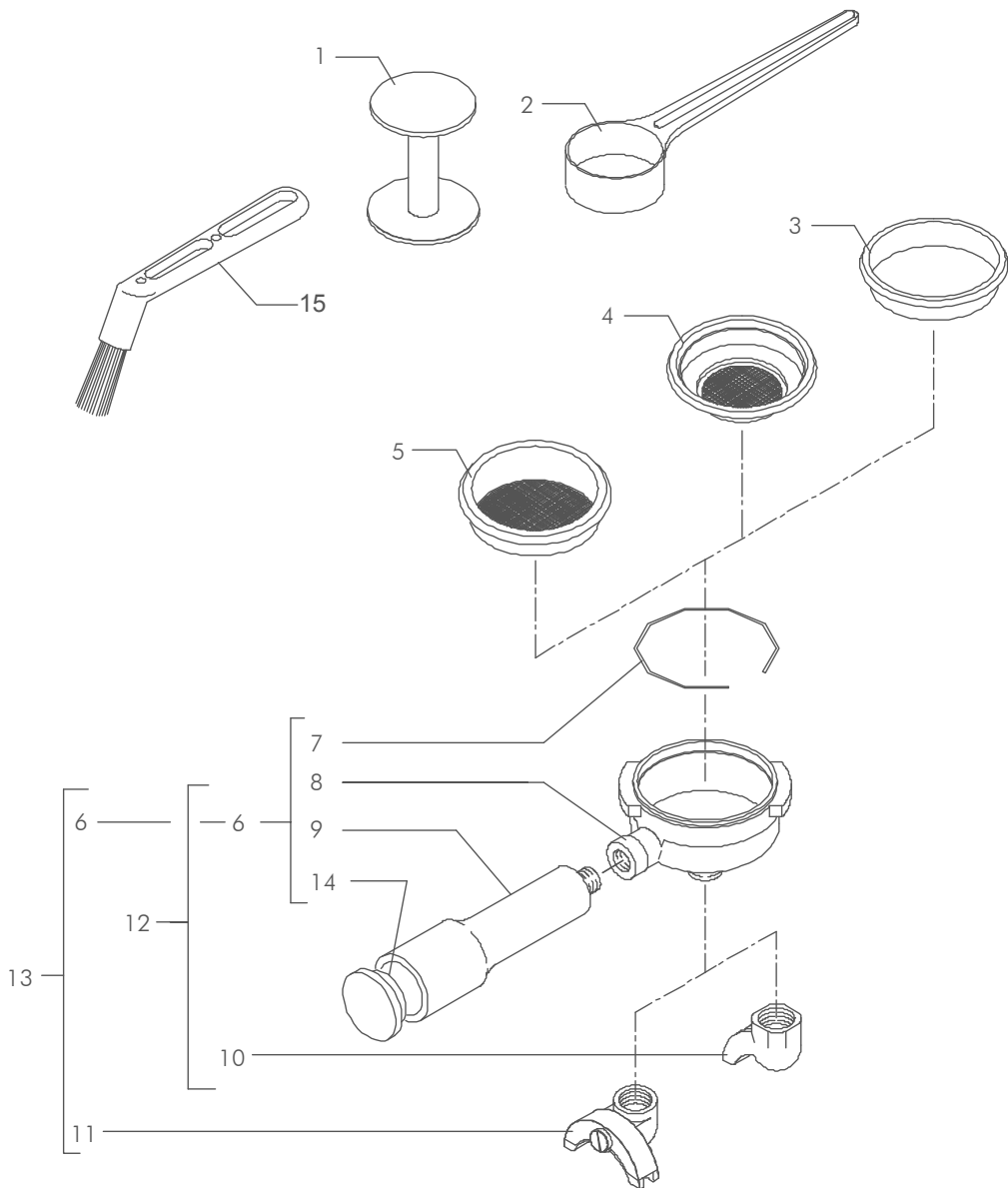


**TABLE 13B (from 25.05.10)**  
**Mod. DE - TE**





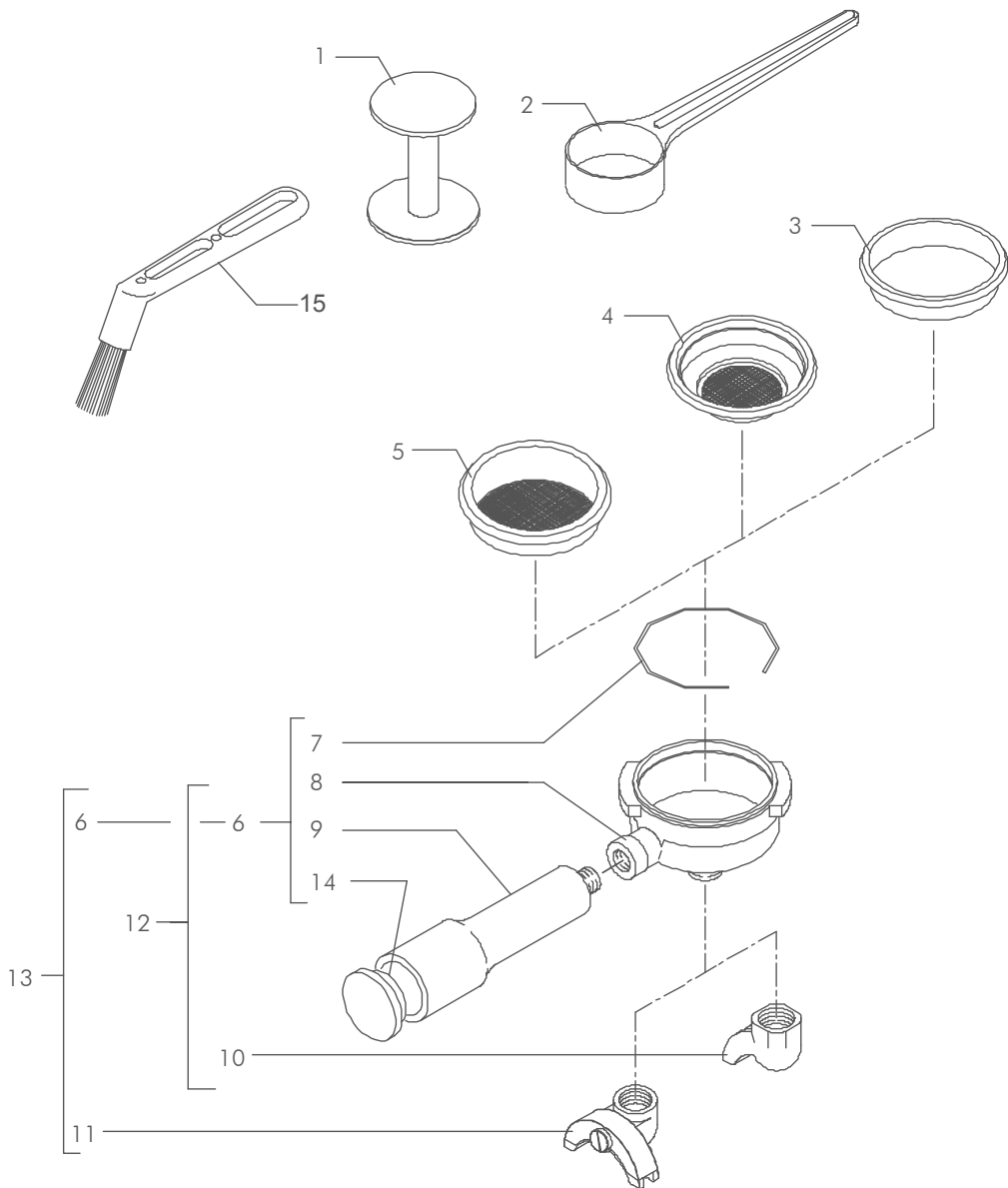
**TABLE 14 (up to 31.03.10)**  
**Mod. DE - PM - TP - TE**





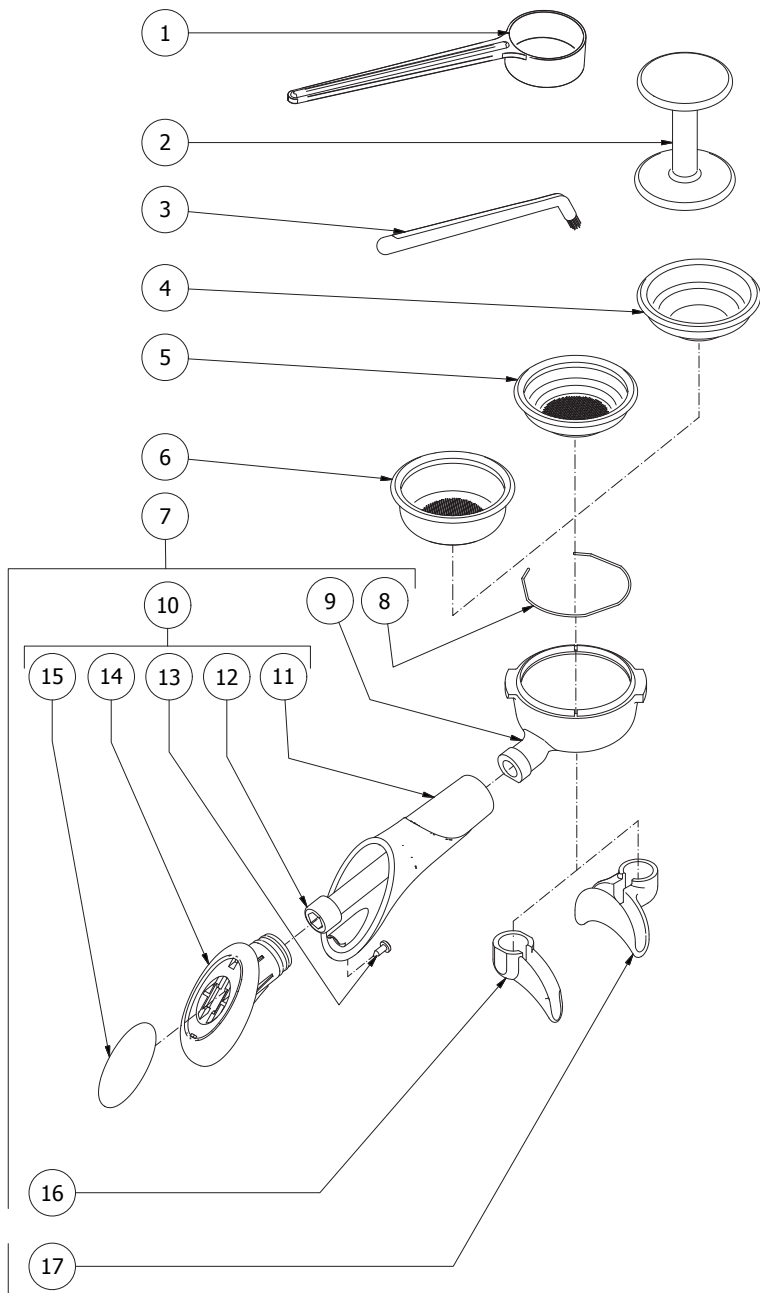


**TABLE 14 (up to 02.12.12)**  
**Mod. DE - PM - TP - TE**



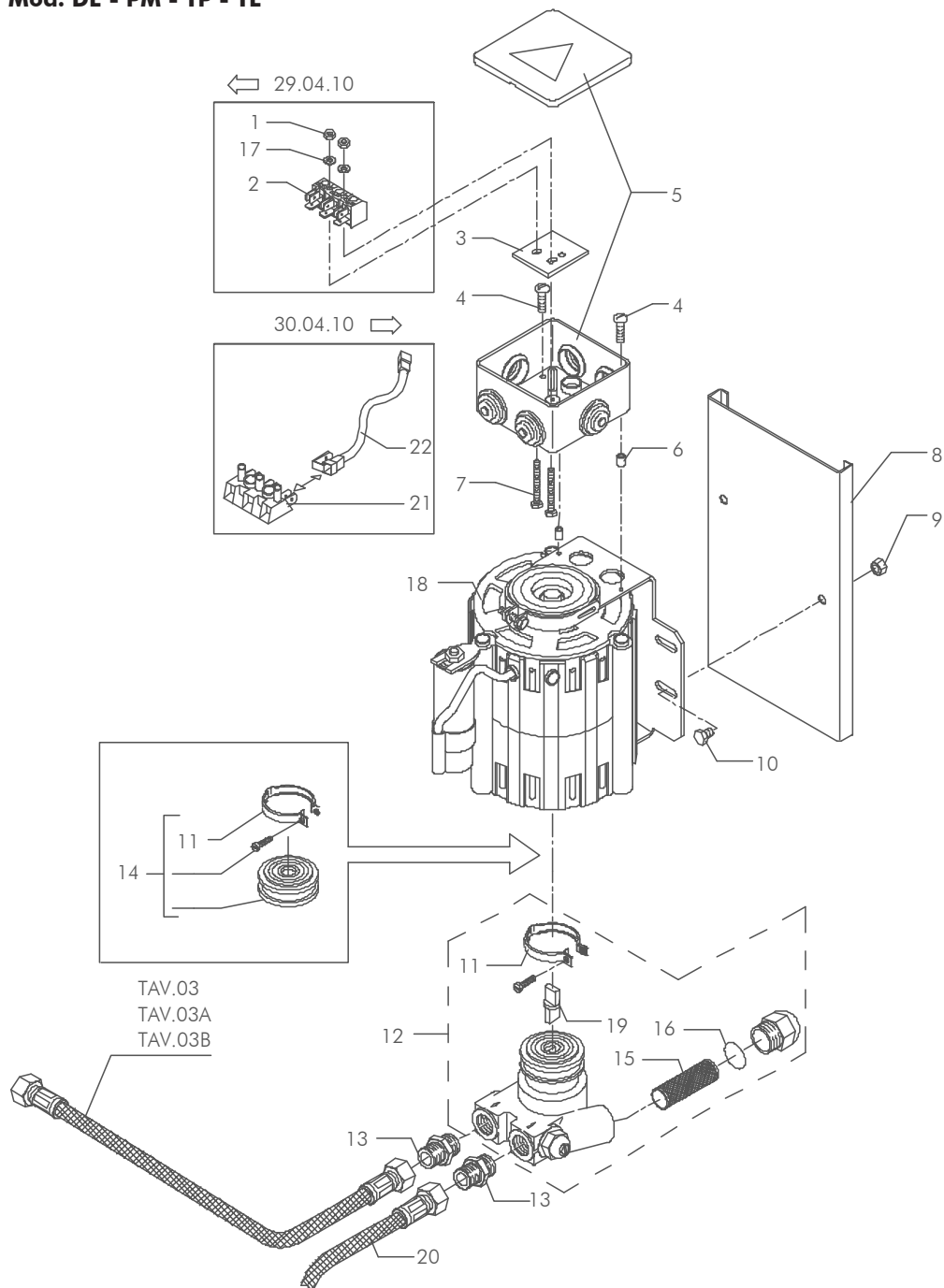


**TABLE 14 (from 03.12.12)**  
**Mod. DE - PM - TP - TE**



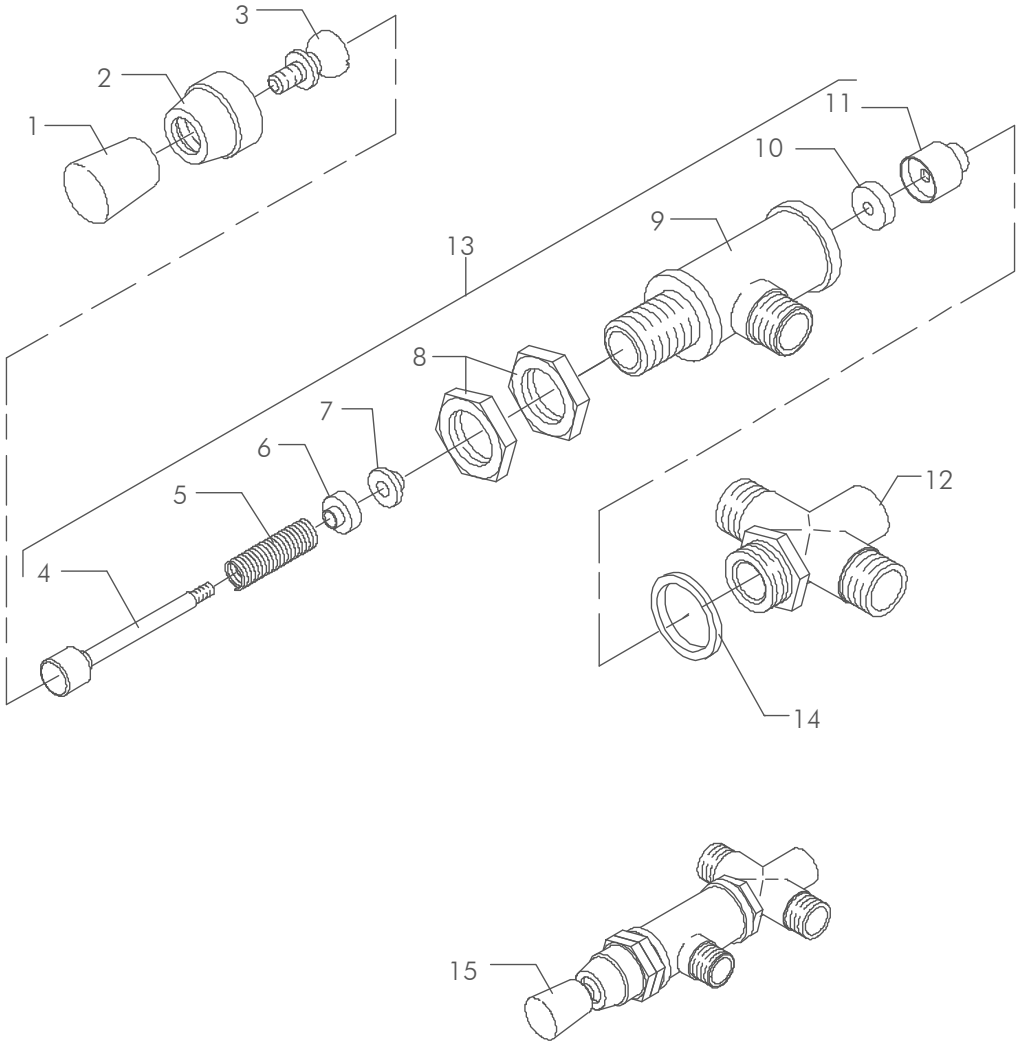


**TABLE 15**  
**Mod. DE - PM - TP - TE**





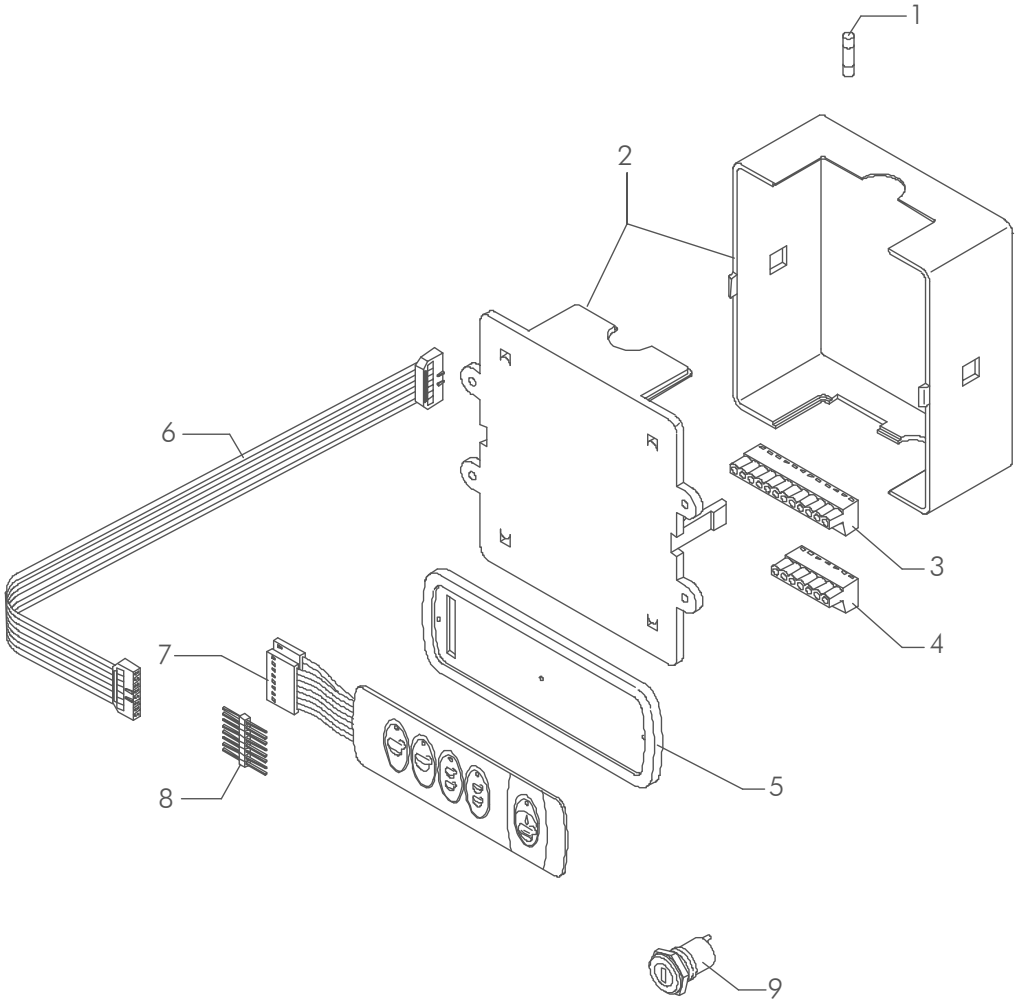
**TABLE 16**  
**Mod. PM - TP**





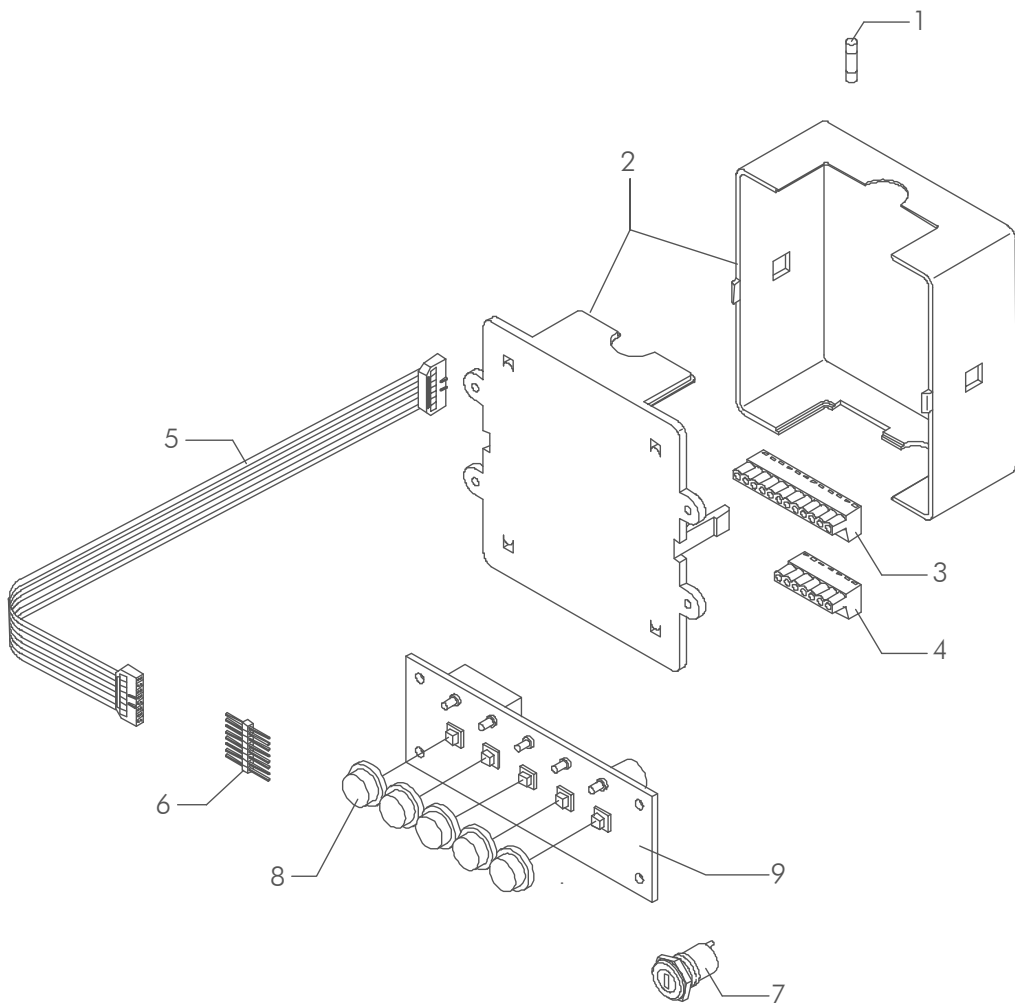


**TABLE 17 (up to 24.05.10)**  
**Mod. DE - TE**





**TABLE 17 (from 25.05.10)**  
**Mod. DE - TE**





**BEZZERA**

**Dal 1901**

G.BEZZERA

MACCHINE PER CAFFE' ESPRESSO

Via Luigi Bezzera,1

20088 Rosate - Milano - Italy

Tel. ++39 02 90848102 r.a. - Telefax ++39 02 90870287

Web: [www.g.bezzera.it](http://www.g.bezzera.it)

e-mail: [commerciale@bezzera.it](mailto:commerciale@bezzera.it)